

NS39V

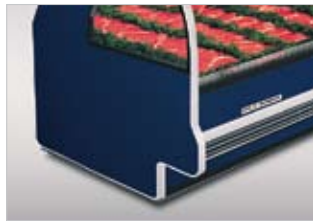
Double Curved Fixed Glass Merchandiser



NS39VL3 (3000 SERIES)



NS39V1 (2500 SERIES)



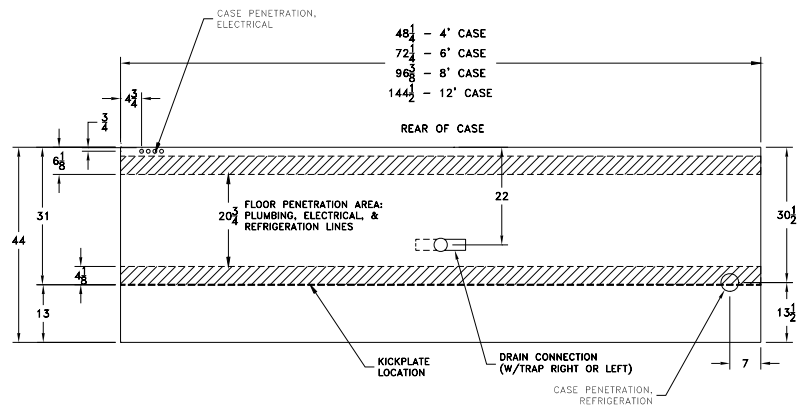
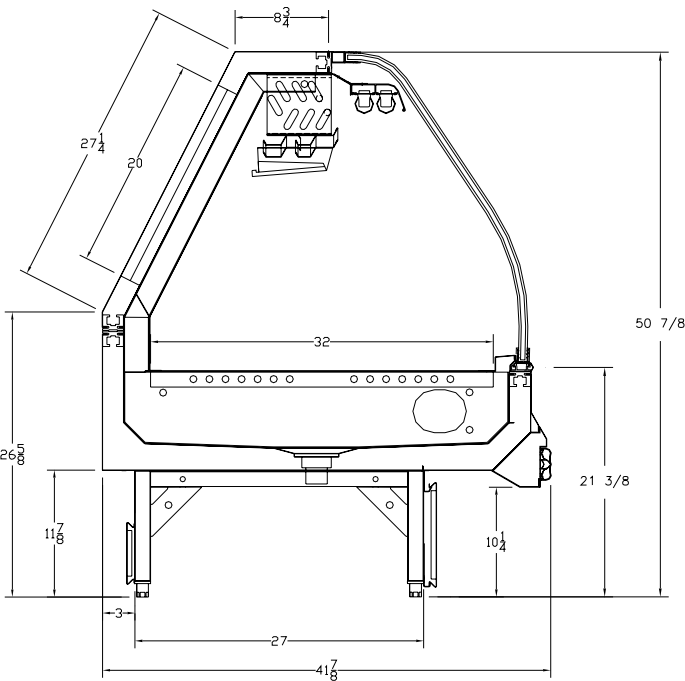
NS39V3 (3000 SERIES)

Capacities	4'	6'	8'	12'
Facing Area	8.4 ft ²	12.6 ft ²	16.9 ft ²	29.3 ft ²
Cubic Capacity	14.6 ft ³	22 ft ³	29.3 ft ³	43.9 ft ³
Dimensions	4'	6'	8'	12'
Overall Length (w/o ends)	48.19"	72.25"	96.375"	144.5"
Thickness - Pair Ends	3"	3"	3"	3"
Case Data	4'	6'	8'	12'
Anti-Sweat Amps	N/A	N/A	N/A	N/A
Fan Amps Std	N/A	N/A	N/A	N/A
Light Amps	0.43	1.04	1.04	1.68
Def. Load Amps (if electric)	N/A	N/A	N/A	N/A
Evaporator Temperature (°F)	+20°	+20°	+20°	+20°
BTU/Hr Requirements	1280	1920	2560	3840

Defrost	Per Day	Fail Safe	Termination
Off Cycle - NS39V	1	80 min.	TIME

Discharge Air Velocity	Discharge Air Temperature
Gravity	N/A

All electrical data are based on 115V and unlighted shelves.



5201 Transport Blvd. / Columbus, GA 31907
800-866-5596 - Phone / 706-568-8990 - Fax / solutions@kysorwarren.com

Dual-Jet and Air Defrost are registered trademarks of Kysor/Warren.
Kysor/Warren, a subsidiary of Enodis®, PLC. All Rights Reserved.

Kysor/Warren cases are UL and NSF listed.

Type I refrigerator, intended for use in an area where the environmental conditions are controlled and maintained such that conditions do not exceed 75°F and 55% relative humidity. Kysor/Warren, whose policy is one of continuous improvement, reserves the right to change at any time, specifications, design or prices without incurring obligation.



NS39V-0805PD