

C1NVI1- Single Deck Island

Application:



CASE DATA	08-N	12-N
Anti-Sweat Amps	1.81	2.23
Fan Amps	1.22	1.22
Light Amps (Two rows canopy)	N/A	N/A
Defrost Load Amps (If elec-230V)	11.30	14.80
# Defrosts Required	4	4
Evaporator Temperature °F	+20°	+20°
BTU Requirements	8800	13200

NOTE: For sizing conventional/individual condensing units ADD 8% to BTU LOAD. 5

Defrost	Per Day	Fail Safe	Termination
Electric	4	40 min	55°
Hot gas	4	20 min	55°

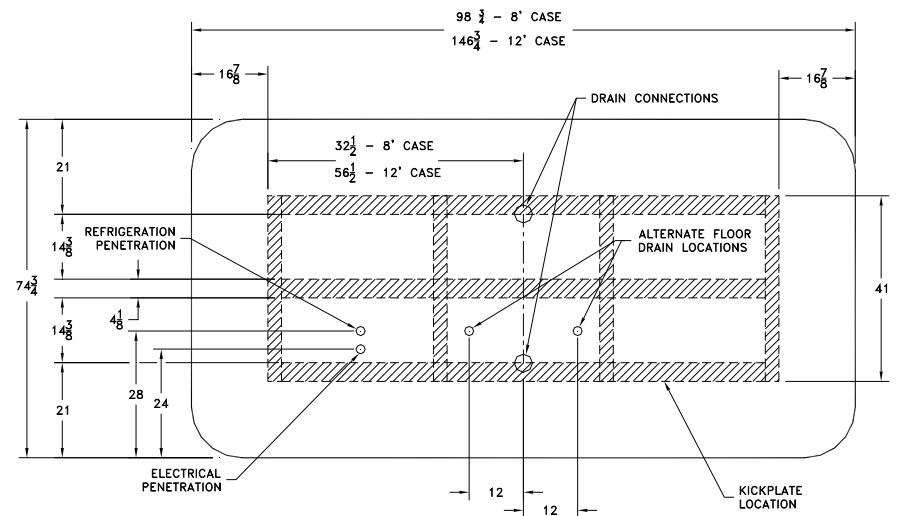
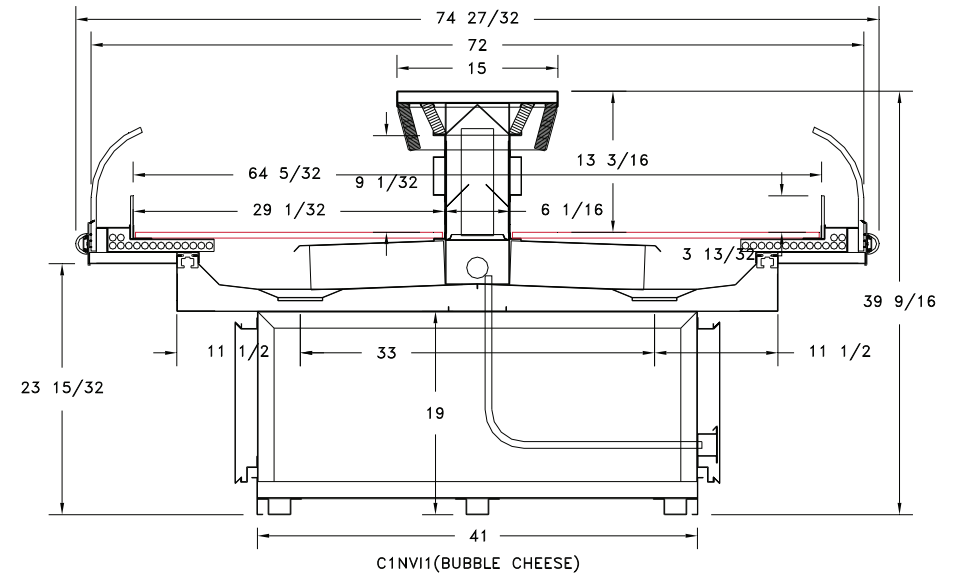
Discharge Air Velocity 270 - 425 FPM

Discharge Air Temp 32 - 38°F

Type I refrigerator, intended for use in an area where the environmental conditions are controlled and maintained such that conditions do not exceed 75 deg F and 55% relative humidity. Kysor/Warren, whose policy is one of continuous improvement, reserves the right to change at any time, specifications, design or prices without incurring obligation.

Dual-Jet and Air Defrost are registered trademarks of Kysor/Warren.

The above case model, has case lengths that are NSF approved.



Issue: Sept - 2006

