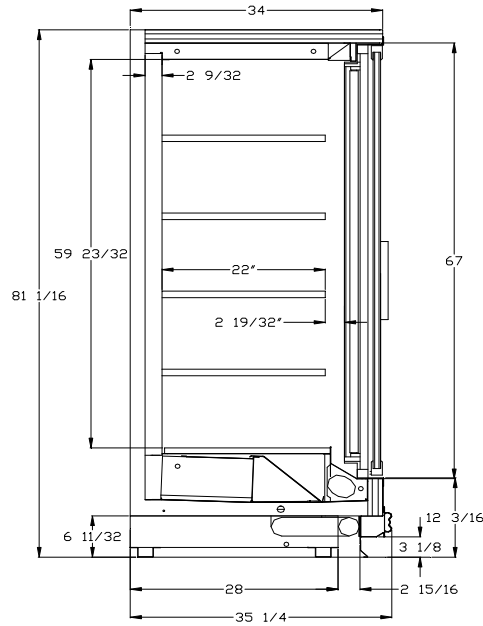
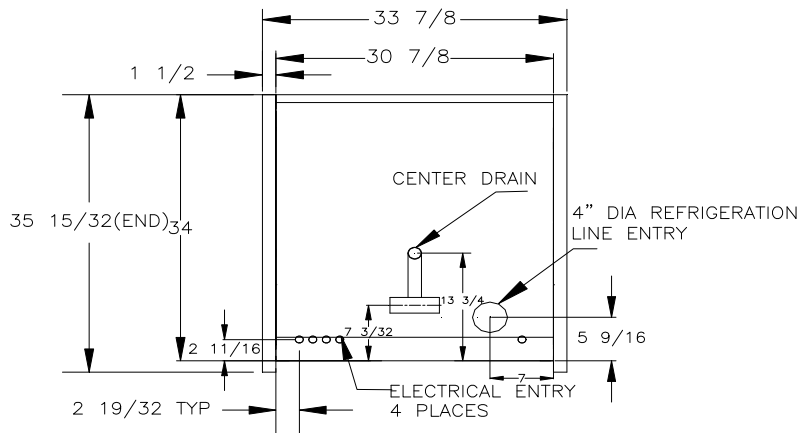


CASE DATA AMPS	1 Door
Anti-Sweat	1.89
ECM Fan / # Fans	0.25/1
LED Lights	0.26
Drain Heater	0.25
Electric Defrost (Electric - 208V)	3.05
All electrical data based on 115V and unlighted shelves. Add 0.97 amps per heated glass end panel.	

DEFROST CONTROLS			
Defrost	Per Day	Fail Safe	Termination
Electric	1	45 min	+65°F
Hot Gas	1	30 min	+47°F



Add 3" thickness for a pair of ends.



Type I refrigerator, intended for use in an area where the environmental conditions are controlled and maintained such that conditions do not exceed 75°F and 55% relative humidity. Kysor/Warren®, whose policy is one of continuous improvement, reserves the right to change at anytime, specifications, design or prices without incurring obligation.

Case BTUH - 1 Door - LED Lights		
	Frozen Food	Ice Cream
ECM Fan	1080	1135
NOTE: For sizing conventional/individual condensing unit, add 8% to BTUH load.		

CAPACITIES	
	1 Door
Facing Area	13 ft ²
Cubic Capacity	24.5 ft ³

Application	Evap Temp	Discharge Air Velocity (1 hr. after defrost)	Discharge Air Temp
Ice Cream	-18°F	200 FPM	-12°F
Frozen Food	-11°F	200 FPM	-5°F

Applications:



Specification Sheet

QFGCEI - 1 Door - Reach In - Anthony 101LE Door



Issue: 2.28.2012

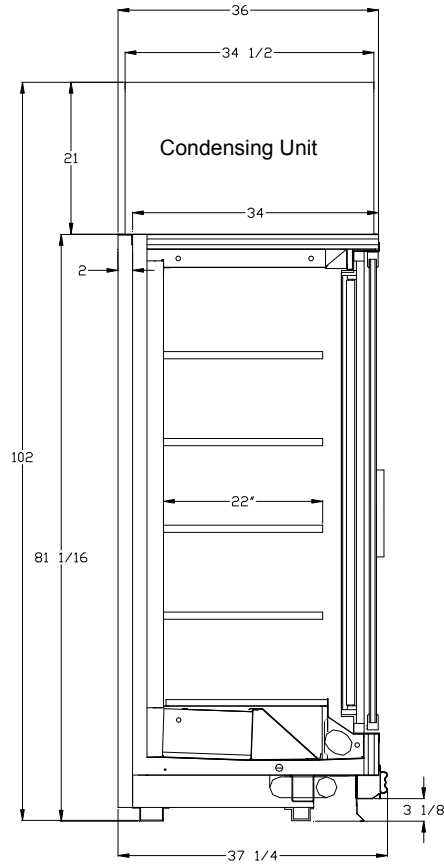


208 Circuit Case Data	2 Door	3 Door	4 Door	5 Door
Power Supply	208/1/60	208/1/60	208/1/60	208/1/60
Compressor RLA	9.6	11.4	11.4	16.7
Condenser Fan Motor	0.85	2.6	1.7	5.2
Defrost Heaters	6.09	9.13	12.17	15.22
Horse Power	1	2	2 1/4	3
Anti-Sweat	2.21	3.08	4.11	4.95
* STD Fan	0.72	1.08	1.44	1.8
* PSC Fan	0.44	0.66	0.88	1.10
* ECM Fan	0.40	0.60	0.80	1.00
* Light Amps (T8)	1.39	1.80	2.32	2.79
LED Light Amps (Optimax Pro)	0.33	0.50	0.66	0.83
Drain Pan Heater	0.39	0.65	0.91	1.17
* Condensate Pump	0.34	0.34	0.34	0.34
* Condensate Evaporator	8.00	8.00	8.00	8.00
Total Max. Amps drawn	25.56	31.20	32.96	44.29
Minim. Circuit Ampacity	27.96	34.05	35.81	48.49
Maxim. Overcurrent Protection	30	40	40	50

Refrigerant - R404A

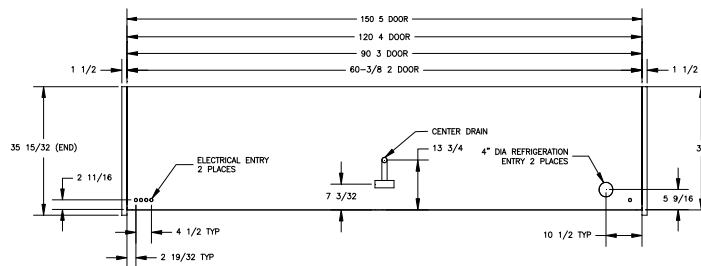
DEFROST CONTROLS

Defrost	Per Day	Fail Safe	Termination
Electric	1	45 min	65°F



Add 3" thickness for a pair of ends

* NOTE: Options are not available after January 1, 2012.



Type I refrigerator, intended for use in an area where the environmental conditions are controlled and maintained such that conditions do not exceed 75°F and 55% relative humidity. Kysor/Warren®, whose policy is one of continuous improvement, reserves the right to change at anytime, specifications, design or prices without incurring obligation.

BTUH per Door - T8 Lights	
* PSC Fan	1455
* ECM Fan	1425
BTUH per Door - LED Lights	
Ice Cream	1145
Frozen Food	1080
NOTE: For sizing conventional/individual condensing units, add 8% to BTUH load.	

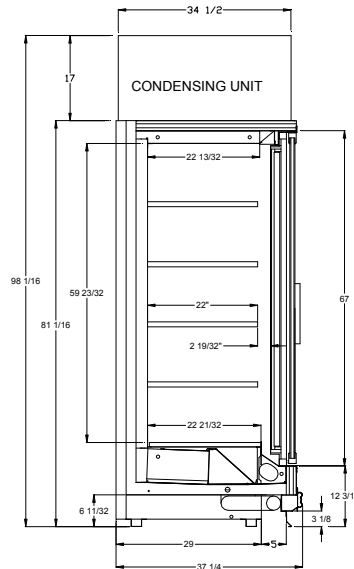
CAPACITIES				
	2 Door	3 Door	4 Door	5 Door
Facing Area	24.9 ft ²	37.1ft ²	49.5 ft ²	61.9 ft ²
Cubic Capacity	47.0 ft ³	70.0 ft ³	93.3 ft ³	116.9 ft ³
	Evap Temp	Discharge Air Velocity (1 hr. after defrost)	Discharge Air Temp	
Ice Cream	-18°F	250 FPM	-12°F	
Frozen Food	-11°F	250 FPM	-5°F	



Case Data Amps	1 Door
208V Power Supply	208/1/60
Compressor RLA	9.2
Condenser Fan Motor	0.70
Electric Defrost Heater	3.05
Minimum Circuit Ampacity	12.4
Maximum Overcurrent Protection	15
Horse Power	0.75

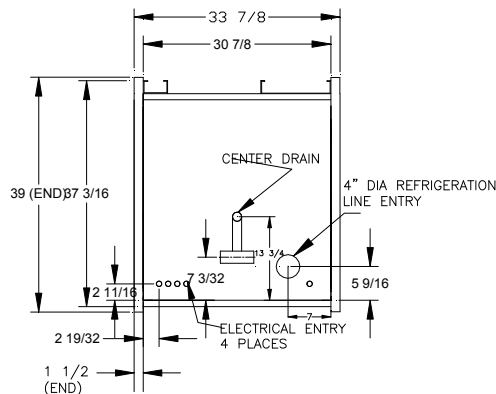
115V Power Supply	115/1/60
Anti-Sweat (101 Door)	1.89
Anti-Sweat (Glass End)	0.97
* PSC Fan	0.37
ECM Fan	0.30
* Light Amps (T8)	0.98
Light Amps (LED)	0.26
Drain Pan Heater	0.22
* Condensate Pump	0.56
* Condensate Evaporator	8.34
Minimum Circuit Ampacity	13.9
Maximum Overcurrent Protection	15
Refrigerant - R404A	

* NOTE: Options are not available after January 1, 2012.



Add 3" thickness for a pair of ends

DEFROST CONTROLS			
Defrost	Per Day	Fail Safe	Termination
Electric	1	45 min	65°F



Type I refrigerator, intended for use in an area where the environmental conditions are controlled and maintained such that conditions do not exceed 75°F and 55% relative humidity. Kysor/Warren®, whose policy is one of continuous improvement, reserves the right to change at anytime, specifications, design or prices without incurring obligation.

BTUH per Door - LED Lights		
	Frozen Food	Ice Cream
ECM Fan	1337	1417
* PSC Fan	1419	1499

BTUH per Door - * T8 Lights		
	Frozen Food	Ice Cream
ECM Fan	1525	1604
* PSC Fan	1607	1686

CAPACITIES - 1 Door	
Facing Area	13 ft ²
Cubic Capacity	24.5 ft ³

Application	Evap Temp	Discharge Air Velocity (1 hr. after defrost)	Discharge Air Temp
Frozen Food	-11°F	200 FPM	-5°F
Ice Cream	-18°F	200 FPM	-12°F

Issue: 2.28.2012

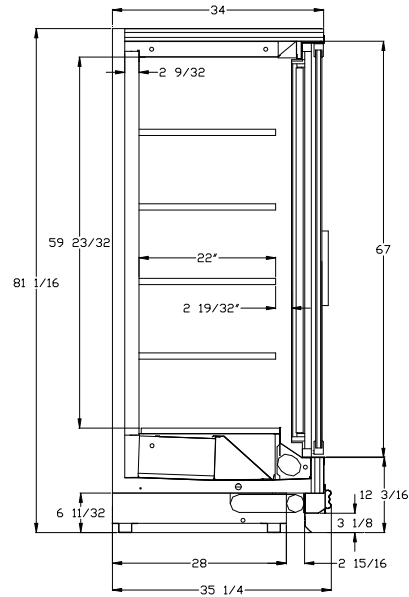
Application:


QFGCEI - MCU - 1 Door - Reach-In - Anthony 101LE Door
Specification Sheet

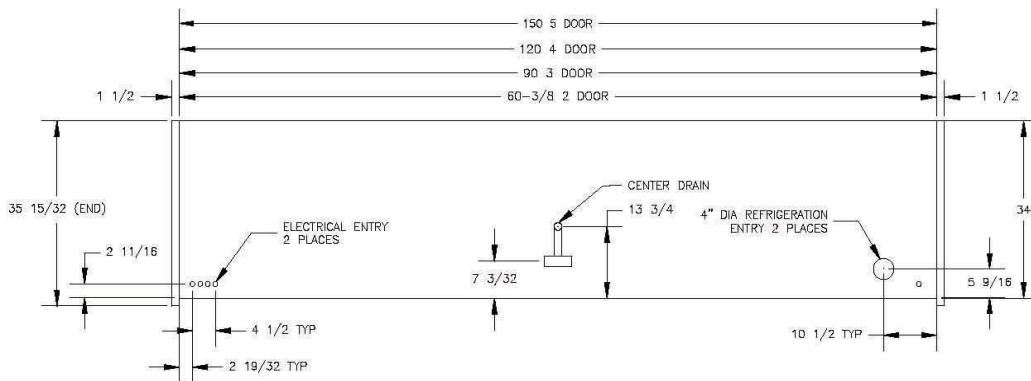
CASE DATA AMPS	2 Door	3 Door	4 Door	5 Door
Anti-Sweat	2.09	3.13	4.20	5.20
ECM Fan / # Fans	0.50/2	0.75/3	1.00/4	1.25/5
LED Lights (Polaris)	0.33	0.50	0.66	0.83
Drain Heater	0.39	0.65	0.91	1.17
Electric Defrost (Electric - 208V)	6.09	9.13	12.17	15.22

All electrical data based on 115V and unlighted shelves.
Add 0.97 amps per heated glass end panel.

DEFROST CONTROLS			
Defrost	Per Day	Fail Safe	Termination
Electric	1	45 min	65°F
Hot Gas	1	30 min	47°F



Assorted Shelving Options Available.
Add 3" thickness for a pair of ends.



Type I refrigerator, intended for use in an area where the environmental conditions are controlled and maintained such that conditions do not exceed 75°F and 55% relative humidity. Kysor/Warren®, whose policy is one of continuous improvement, reserves the right to change at anytime, specifications, design or prices without incurring obligation.

Case BTUH per Door – LED Lights		
	Ice Cream	Frozen Food
ECM Fan	1135	1080

NOTE: For sizing conventional/individual condensing unit, add 8% to BTUH load.



CAPACITIES				
	2 Door	3 Door	4 Door	5 Door
Facing Area (ft²)	24.9	37.1	49.5	61.9
Cubic Capacity (ft³)	47.0	70.0	93.3	116.9

	Evap Temp	Discharge Air Velocity (1 hr. after defrost)	Discharge Air Temp
Ice Cream	-18°F	300 FPM	-11°F
Frozen Food	-11°F	300 FPM	-4°F

Applications:


Specification Sheet



  The above case model, has case lengths that are UL and NSF approved.

Issue: 2.23.2012

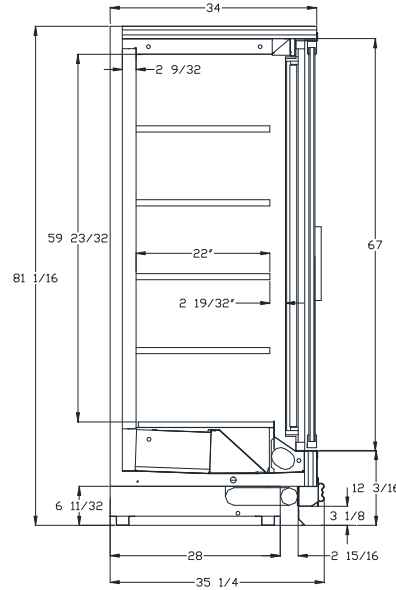
Kysor/Warren
5201 Transport Blvd
Columbus, GA 31907

800-866-5596 phone
706-568-8990 fax

www.kysorwarren.com

CASE DATA AMPS	2 Door	3 Door	4 Door	5 Door
Anti-Sweat	2.43	3.42	4.35	5.40
* STD Fan / # Fans	1.04/2	1.56/3	2.08/4	2.60/5
* PSC Fan / # Fans	0.52/2	0.78/3	1.04/4	1.30/5
ECM Fan / # Fans	0.50/2	0.75/3	1.00/4	1.25/5
* T8 Lights	1.39	1.80	2.32	2.79
LED Lights (Optimax Pro)	0.33	0.50	0.66	0.83
Drain Heater	0.39	0.65	0.91	1.17
Electric Defrost (Electric - 208V)	6.09	9.13	12.17	15.22
All electrical data based on 115V and unlighted shelves. Add 0.97 amps per heated glass end panel.				

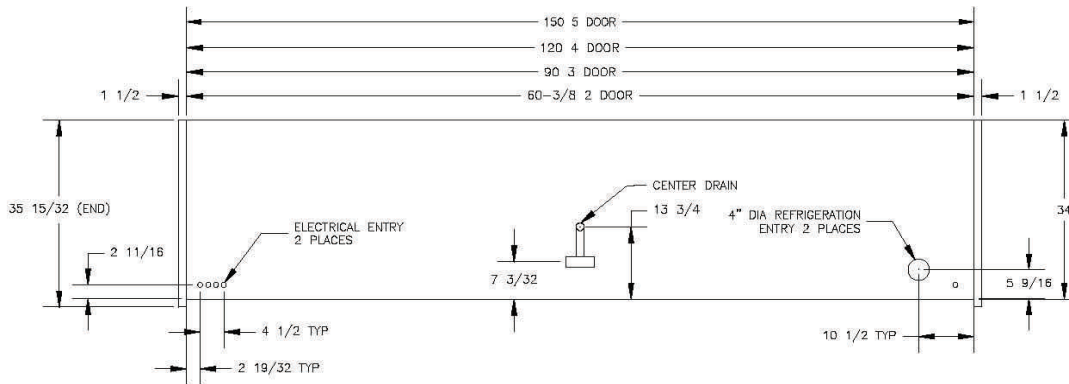
DEFROST CONTROLS			
Defrost	Per Day	Fail Safe	Termination
Electric	1	45 min	65°F
Hot Gas	1	30 min	47°F



Assorted Shelving Options Available.

Add 3" thickness for a pair of ends.

* NOTE: Options are not available after January 1, 2012.



Type I refrigerator, intended for use in an area where the environmental conditions are controlled and maintained such that conditions do not exceed 75°F and 55% relative humidity. Kysor/Warren®, whose policy is one of continuous improvement, reserves the right to change at anytime, specifications, design or prices without incurring obligation.

Case BTUH per Door – LED Lights			CAPACITIES				
	Ice Cream	Frozen Food	2 Door	3 Door	4 Door	5 Door	
* STD Fan	1205	1152	Facing Area (ft ²)	24.9	37.1	49.5	61.9
* PSC Fan	1175	1122	Cubic Capacity (ft ³)	47.0	70.0	93.3	116.9
ECM Fan	1135	1080	Product	Evap Temp	Discharge Air Velocity (1 hr. after defrost)	Discharge Air Temp	
Add 100 BTUHs per door for T8 lights.			Ice Cream	-17°F	300 FPM	-11°F	
NOTE: For sizing conventional/individual condensing unit, add 8% to BTUH load.			Frozen Food	-10°F	300 FPM	-4°F	

The above case model, has case lengths that are UL and NSF approved.

Issue: 2.23.2012

Kysor/Warren
5201 Transport Blvd
Columbus, GA 31907

800-866-5596 phone
706-568-8990 fax

www.kysorwarren.com

Applications:

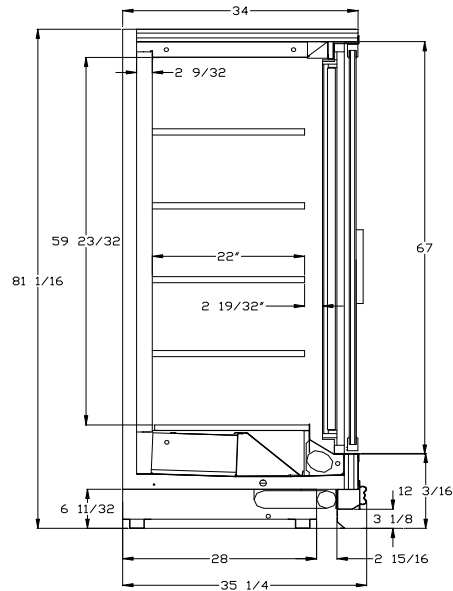
QFGCEI - Reach In - Eliminator Door (Anthony)

Specification Sheet

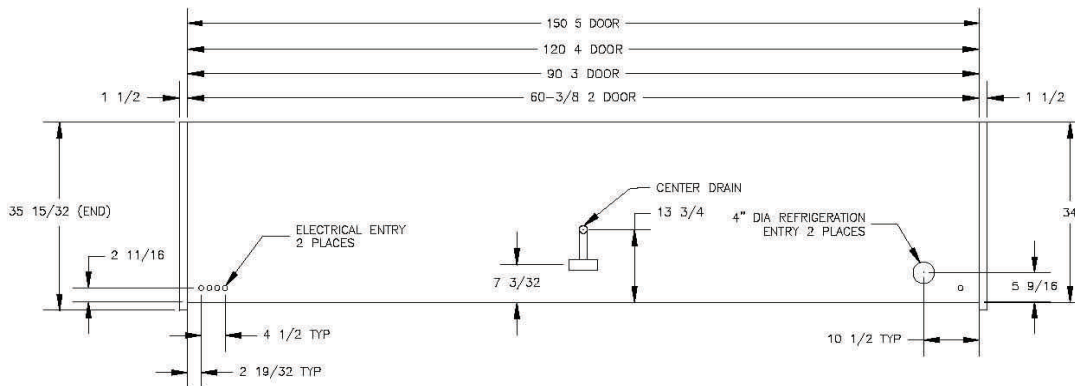


CASE DATA AMPS	2 Door	3 Door	4 Door	5 Door
Anti-Sweat	2.21	3.08	4.11	4.95
ECM Fan / # Fans	0.50/2	0.75/3	1.00/4	1.25/5
LED Lights (Optimax Pro)	0.33	0.50	0.66	0.83
Drain Heater	0.39	0.65	0.91	1.17
Electric Defrost (Electric - 208V)	6.09	9.13	12.17	15.22
All electrical data based on 115V and unlighted shelves. Add 0.97 amps per heated glass end panel.				

DEFROST CONTROLS			
Defrost	Per Day	Fail Safe	Termination
Electric	1	45 min	65°F
Hot Gas	1	30 min	47°F



Assorted Shelving Options Available.
Add 3" thickness for a pair of ends.



Type I refrigerator, intended for use in an area where the environmental conditions are controlled and maintained such that conditions do not exceed 75°F and 55% relative humidity. Kysor/Warren®, whose policy is one of continuous improvement, reserves the right to change at anytime, specifications, design or prices without incurring obligation.

Case BTUH per Door – LED Lights		
	Ice Cream	Frozen Food
ECM Fan	1135	1080
NOTE: For sizing conventional/individual condensing unit, add 8% to BTUH load.		

CAPACITIES				
	2 Door	3 Door	4 Door	5 Door
Facing Area (ft ²)	24.9	37.1	49.5	61.9
Cubic Capacity (ft ³)	47.0	70.0	93.3	116.9

Product	Evap Temp	Discharge Air Velocity (1 hr. after defrost)	Discharge Air Temp
Ice Cream	-18°F	300 FPM	-11°F
Frozen Food	-11°F	300 FPM	-4°F

Applications:   **QFGCEI - Reach In - Anthony 101LE Door - Low Temp**
Specification Sheet



The above case model, has case lengths that are UL and NSF approved.

Issue: 2.23.2012

Kysor/Warren
5201 Transport Blvd
Columbus, GA 31907

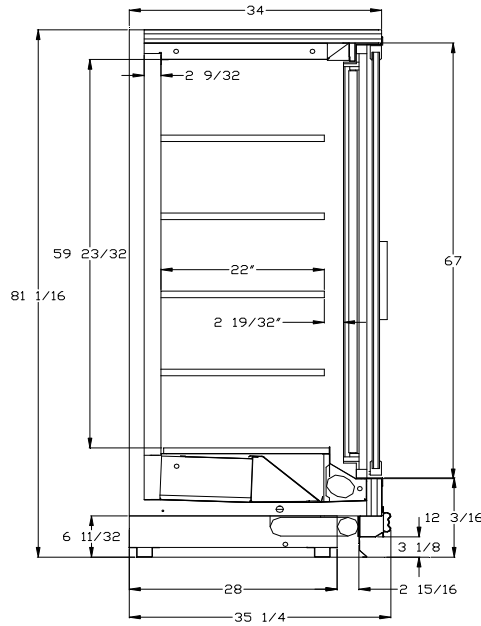
800-866-5596 phone
706-568-8990 fax

www.kysorwarren.com

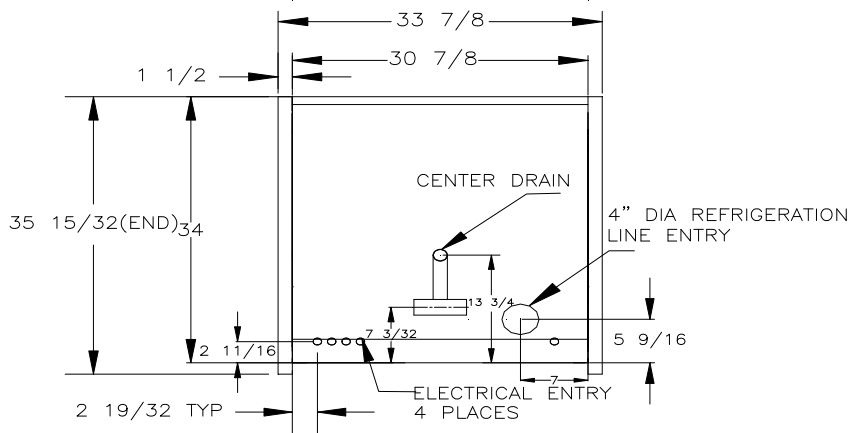


CASE DATA AMPS	1 Door
Anti-Sweat	1.89
ECM Fan / # Fans	0.30/1
LED Lights (Polaris)	0.26
Drain Heater	0.25
Electric Defrost (Electric - 208V)	3.36
All electrical data based on 115V and unlighted shelves. Add 0.97 amps per heated glass end panel.	

DEFROST CONTROLS			
Defrost	Per Day	Fail Safe	Termination
Electric	1	45 min	+65°F
Hot Gas	1	30 min	+47°F



Add 3" thickness for a pair of ends.



Type I refrigerator, intended for use in an area where the environmental conditions are controlled and maintained such that conditions do not exceed 75°F and 55% relative humidity. Kysor/Warren®, whose policy is one of continuous improvement, reserves the right to change at anytime, specifications, design or prices without incurring obligation.

Case BTUH - 1 Door - LED Lights		
	Frozen Food	Ice Cream
ECM Fan	1080	1135
NOTE: For sizing conventional/individual condensing unit, add 8% to BTUH load.		

CAPACITIES	
	1 Door
Facing Area	13 ft ²
Cubic Capacity	24.5 ft ³

Product	Evap Temp	Discharge Air Velocity (1 hr. after defrost)	Discharge Air Temp
Ice Cream	-18°F	200 FPM	-12°F
Frozen Food	-11°F	200 FPM	-5°F

Applications:



Specification Sheet

QFGCEI - 1 Door - Reach In - Gemtron Polaris RE Door

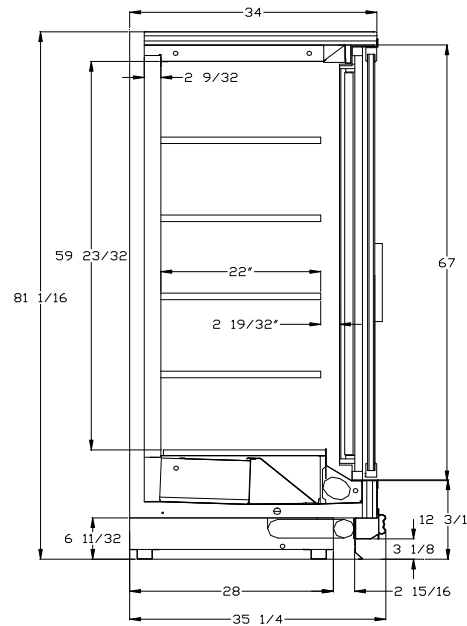


Issue: 2.28.2012



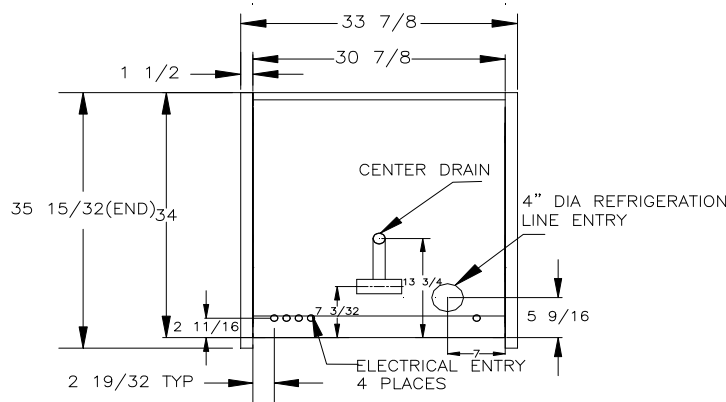
CASE DATA AMPS	1 Door
Anti-Sweat	1.45
* PSC Fan / # Fans	0.37/1
ECM Fan / # Fans	0.25/1
* T8 Lights	0.98
LED Lights (Optimax Pro)	0.17
Drain Heater	0.25
Electric Defrost (Electric - 208V)	3.04
All electrical data based on 115V and unlighted shelves. Add 0.97 amps per heated glass end panel.	

DEFROST CONTROLS			
Defrost	Per Day	Fail Safe	Termination
Electric	1	45 min	+65°F
Hot Gas	1	30 min	+47°F



Add 3" thickness for a pair of ends.

* NOTE: Options are not available after January 1, 2012.



Type I refrigerator, intended for use in an area where the environmental conditions are controlled and maintained such that conditions do not exceed 75°F and 55% relative humidity. Kysor/Warren®, whose policy is one of continuous improvement, reserves the right to change at anytime, specifications, design or prices without incurring obligation.

Case BTUH - 1 Door		
Ice Cream	LED Lights	* T8 Lights
* PSC Fan	1248	1422
ECM Fan	1172	1346
Frozen Food	LED Lights	* T8 Lights
* PSC Fan	1174	1348
ECM Fan	1098	1272
NOTE: For sizing conventional/individual condensing unit, add 8% to BTUH load.		

CAPACITIES	
1 Door	
Facing Area	13 ft ²
Cubic Capacity	24.5 ft ³

Product	Evap Temp	Discharge Air Velocity (1 hr. after defrost)	Discharge Air Temp
Ice Cream	-17°F	200 FPM	-12°F
Frozen Food	-10°F	200 FPM	-5°F

Issue: 2.23.2012

