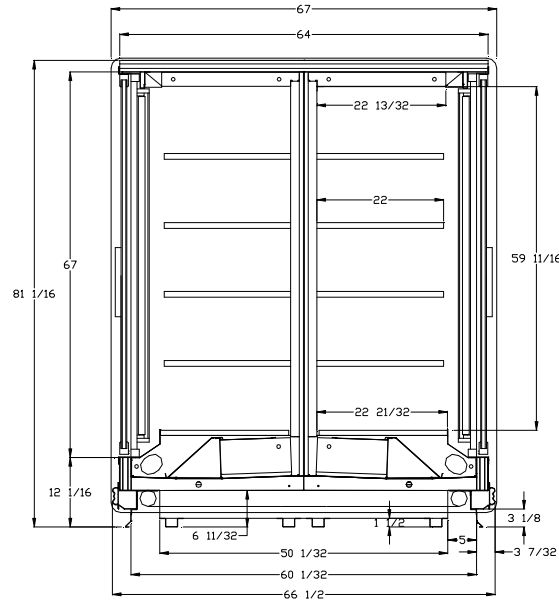
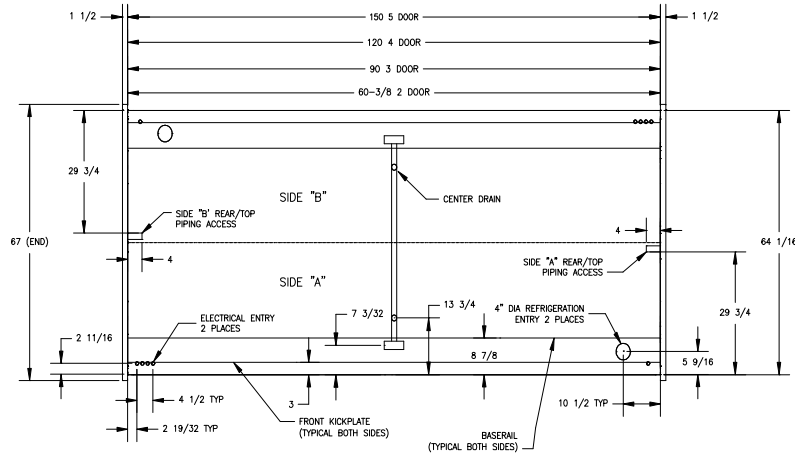


CASE DATA AMPS (per side)	2 Door	3 Door	4 Door	5 Door
Anti-Sweat	3.63	5.25	7.02	8.61
STD Fan / # Fans	1.04/2	1.56/3	2.08/4	2.60/5
PSC Fan / # Fans	0.52/2	0.78/3	1.04/4	1.30/5
ECM Fan / # Fans	0.50/2	0.75/3	1.00/4	1.25/5
T8 Lights Canopy, 1 Row	1.39	1.80	2.32	2.79
LED Lights Canopy, 1 Row	0.48	0.73	0.98	1.20
Drain Heater	0.39	0.65	0.91	1.17
Electric Defrost (Electric - 230V)	6.73	10.10	13.46	16.83
All electrical data based on 115V. Add 0.97 amps for each end panel with heated glass.				

DEFROST CONTROLS			
Defrost	Per Day	Fail Safe	Termination
Electric	1	45 min	+65°F
Hot Gas	1	25 min	+47°F



Add 3" thickness for a pair of ends.



Type I refrigerator, intended for use in an area where the environmental conditions are controlled and maintained such that conditions do not exceed 75°F and 55% relative humidity. Kysor/Warren®, whose policy is one of continuous improvement, reserves the right to change at anytime, specifications, design or prices without incurring obligation. Dual-Jet® and Air Defrost® are registered trademarks of Kysor/Warren®.

Case BTUH per Door / per Side - LED Lights	CAPACITIES per Side	
	Ice Cream	Frozen Food
STD Fan	1242	1196
PSC Fan	1212	1166
ECM Fan	1182	1136
Add 100 BTUHs per door per side for T8 lights.		

Product	CAPACITIES per Side			
	2 Door	3 Door	4 Door	5 Door
Facing Area	24.9 ft ²	37.1 ft ²	49.5 ft ²	61.9 ft ²
Cubic Capacity	47.0 ft ³	70.0 ft ³	93.3 ft ³	116.9 ft ³
Product	Evap Temp	Discharge Air Velocity (1 hr. after defrost)	Discharge Air Temp	
Ice Cream	-18°F	300 FPM	-11°F	
Frozen Food	-11°F	300 FPM	-4°F	



The above case model, has case lengths that are UL and NSF approved.

Issue: 4.11.2011

Kysor/Warren
5201 Transport Blvd
Columbus, GA 31907

800-866-5596 phone
706-568-8990 fax

www.kysorwarren.com

Applications:   QFGCEID-A - Reach In - Standard Door (Anthony)

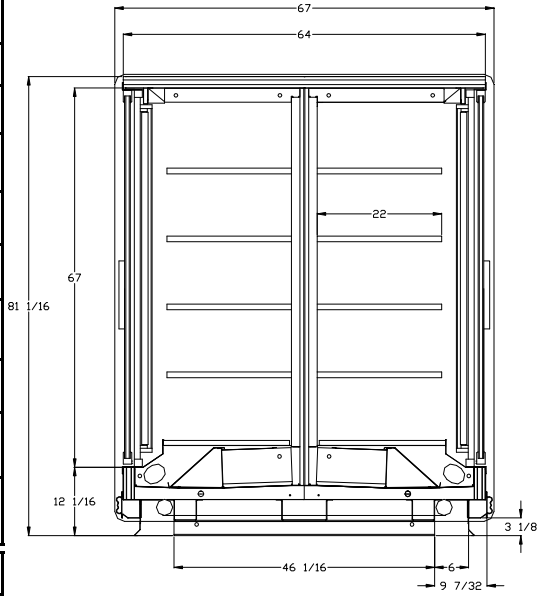
Specification Sheet



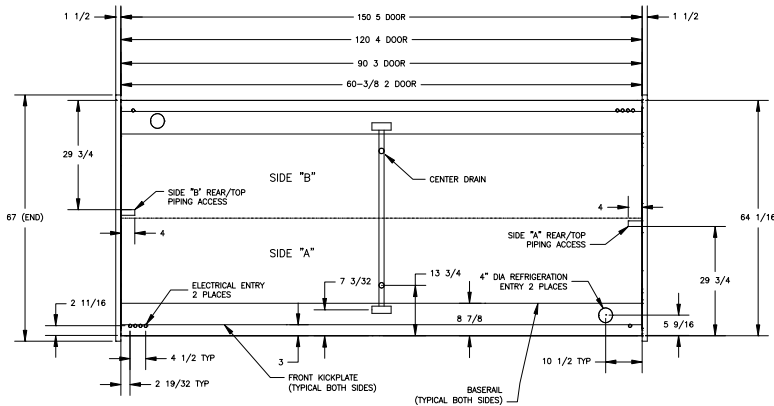
CASE DATA AMPS (per side)	4 Door	6 Door	8 Door	10 Door
Anti-Sweat	3.63	5.25	7.02	8.61
STD Fan / # Fans	0.70/2	1.05/3	1.40/4	1.75/5
PSC Fan / # Fans	0.44/2	0.66/3	0.88/4	1.10/5
ECM Fan / # Fans	0.40/2	0.60/3	0.80/4	1.00/5
T8 Lights	1.39	1.80	2.32	2.79
LED Lights	0.48	0.73	0.98	1.20
Drain Heater	0.39	0.65	0.91	1.17
Electric Defrost (Electric - 230V)	6.73	10.10	13.46	16.83

All electrical data based on 115V. Add 0.97 amps for each end panel with heated glass.

DEFROST CONTROLS			
Defrost	Per Day	Fail Safe	Termination
Electric	1	45 min	65°F
Hot Gas	1	34 min	65°F



Add 3" thickness for a pair of ends.
Assorted Shelving Options Available.



Type I refrigerator, intended for use in an area where the environmental conditions are controlled and maintained such that conditions do not exceed 75°F and 55% relative humidity. Kysor/Warren®, whose policy is one of continuous improvement, reserves the right to change at anytime, specifications, design or prices without incurring obligation. Dual-Jet® and Air Defrost® are registered trademarks of Kysor/Warren®.

Case BTUH per Door / per Side - LED Lights	
Ice Cream	
STD Fan	1150
PSC Fan	1120
ECM Fan	1090
Frozen Food	
STD Fan	1110
PSC Fan	1080
ECM Fan	1050
Add 100 BTUHs per door per side for T8 lights.	
NOTE: For sizing conventional/individual condensing unit, add 8% to BTUH load.	

CAPACITIES				
	4 Door	6 Door	8 Door	10 Door
Facing Area (per side)	24.9 ft ²	37.1 ft ²	49.5 ft ²	61.9 ft ²
Cubic Capacity (per side)	47.0 ft ³	70.0 ft ³	93.3 ft ³	116.9 ft ³
Product	Evap Temp	Discharge Air Velocity (1 hr. after defrost)	Discharge Air Temp	
Ice Cream	-18°F	250 FPM	-11°F	
Frozen Food	-11°F	250 FPM	-4°F	

Applications: OFGCEID - Reach In Standard

Specification Sheet



The above case model, has case lengths that are UL and NSF approved.

Issue: 4.20.2009

Kysor/Warren
5201 Transport Blvd
Columbus, GA 31907

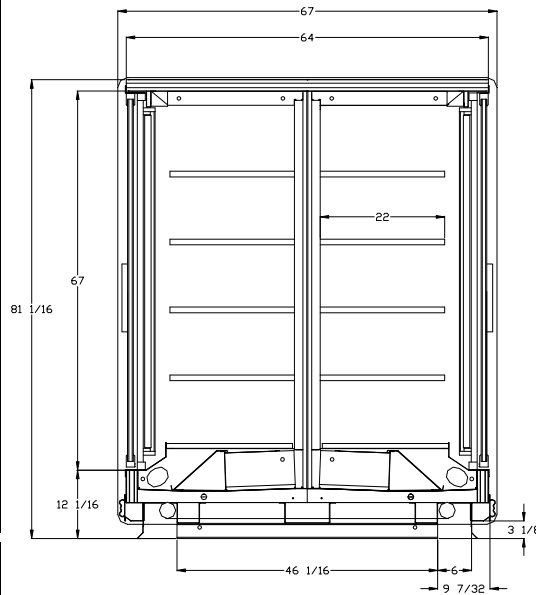
800-866-5596 phone
706-568-8990 fax

www.kysorwarren.com



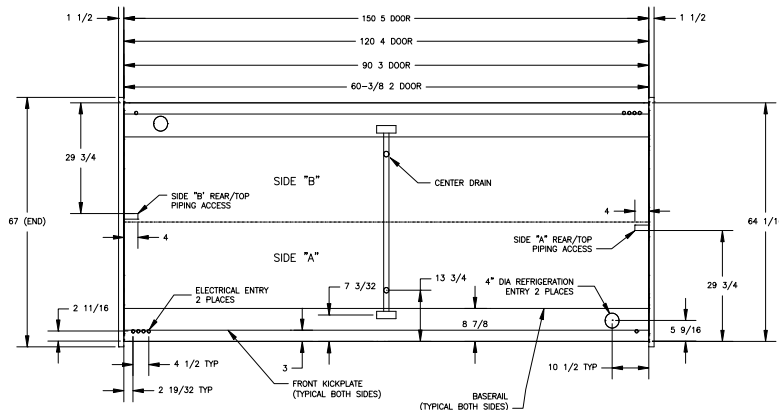
CASE DATA AMPS (per side)	4 Door	6 Door	8 Door	10 Door
Anti-Sweat	1.92	2.81	3.60	4.45
STD Fan / # Fans	0.70/2	1.05/3	1.40/4	1.75/5
PSC Fan / # Fans	0.44/2	0.66/3	0.88/4	1.10/5
ECM Fan / # Fans	0.40/2	0.60/3	0.80/4	1.00/5
T8 Lights	1.39	1.80	2.32	2.79
LED Lights	0.48	0.73	0.98	1.20
Drain Heater	0.39	0.65	0.91	1.17
Electric Defrost (Electric - 230V)	6.73	10.10	13.96	16.83
All electrical data based on 115V. Add 0.97 amps for each end panel with heated glass.				

DEFROST CONTROLS			
Defrost	Per Day	Fail Safe	Termination
Electric	1	45 min	65°F
Hot Gas	1	34 min	65°F



Add 3" thickness for a pair of ends.

Assorted Shelving Options Available.



Type I refrigerator, intended for use in an area where the environmental conditions are controlled and maintained such that conditions do not exceed 75°F and 55% relative humidity. Kysor/Warren®, whose policy is one of continuous improvement, reserves the right to change at anytime, specifications, design or prices without incurring obligation. Dual-Jet® and Air Defrost® are registered trademarks of Kysor/Warren®.

Case BTUH per Door / per Side - LED Lights		CAPACITIES				
Ice Cream		4 Door	6 Door	8 Door	10 Door	
STD Fan	1000	Facing Area (per side)	24.9 ft ²	37.1 ft ²	49.5 ft ²	61.9 ft ²
PSC Fan	970	Cubic Capacity (per side)	47.0 ft ³	70.0 ft ³	93.3 ft ³	116.9 ft ³
ECM Fan	940					
Frozen Food		Product	Evap Temp	Discharge Air Velocity (1 hr. after defrost)	Discharge Air Temp	
STD Fan	950	Ice Cream	-17°F	250 FPM	-11°F	
PSC Fan	920	Frozen Food	-10°F	250 FPM	-4°F	
ECM Fan	890					
Add 100 BTUHs per door per side for T8 lights.						
NOTE: For sizing conventional/individual condensing unit, add 8% to BTUH load.						

The above case model, has case lengths that are UL and NSF approved.

Issue: 4.20.2009

Kysor/Warren
5201 Transport Blvd
Columbus, GA 31907

800-866-5596 phone
706-568-8990 fax

www.kysorwarren.com



OFGCEID - Reach In Eliminator
 Applications:

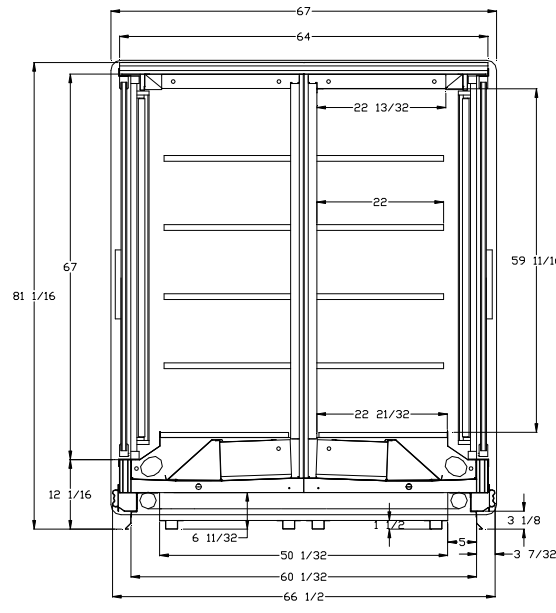
Specification Sheet





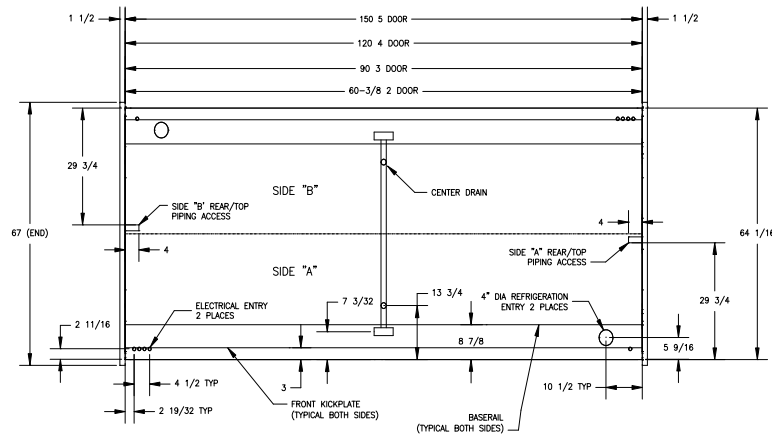
CASE DATA AMPS (per side)	2 Door	3 Door	4 Door	5 Door
Anti-Sweat	2.43	3.42	4.35	5.40
* STD Fan / # Fans	1.04/2	1.56/3	2.08/4	2.60/5
* PSC Fan / # Fans	0.52/2	0.78/3	1.04/4	1.30/5
ECM Fan / # Fans	0.50/2	0.75/3	1.00/4	1.25/5
* T8 Lights Canopy, 1 Row	1.39	1.80	2.32	2.79
LED Lights Optimax Pro	0.33	0.50	0.66	0.83
Drain Heater	0.39	0.65	0.91	1.17
Electric Defrost (Electric - 208V)	6.09	9.13	12.17	15.22
All electrical data based on 115V. Add 0.97 amps for each end panel with heated glass.				

DEFROST CONTROLS			
Defrost	Per Day	Fail Safe	Termination
Electric	1	45 min	+65°F
Hot Gas	1	30 min	+47°F



Add 3" thickness for a pair of ends.

* NOTE: Options are not available after January 1, 2012.





Type I refrigerator, intended for use in an area where the environmental conditions are controlled and maintained such that conditions do not exceed 75°F and 55% relative humidity. Kysor/Warren®, whose policy is one of continuous improvement, reserves the right to change at anytime, specifications, design or prices without incurring obligation.

	Case BTUH per Door / per Side - LED Lights	
	Ice Cream	Frozen Food
* STD Fan	1047	995
* PSC Fan	1017	965
ECM Fan	987	935
*Add 100 BTUHs per door per side for T8 lights.		

CAPACITIES per Side				
	2 Door	3 Door	4 Door	5 Door
Facing Area	24.9 ft ²	37.1 ft ²	49.5 ft ²	61.9 ft ²
Cubic Capacity	47.0 ft ³	70.0 ft ³	93.3 ft ³	116.9 ft ³

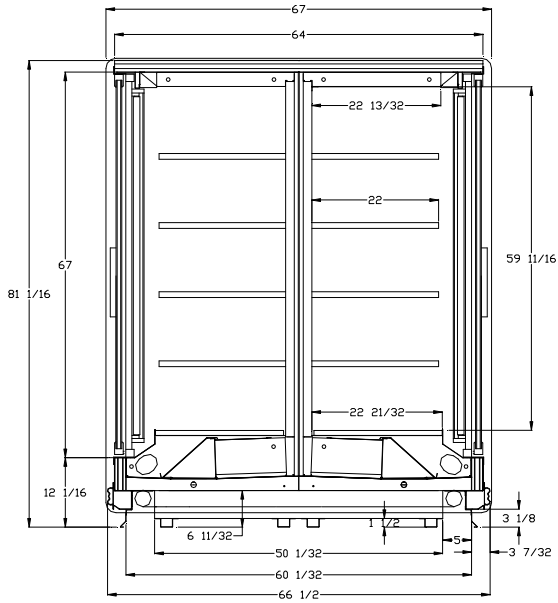
	Evap Temp	Discharge Air Velocity (1 hr. after defrost)	Discharge Air Temp
Ice Cream	-17°F	300 FPM	-11°F
Frozen Food	-10°F	300 FPM	-4°F

  The above case model, has case lengths that are UL and NSF approved.

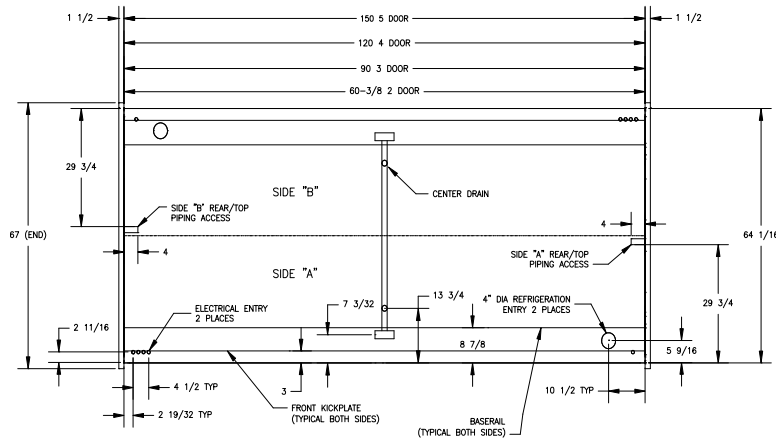
Issue: 2.23.2012

CASE DATA AMPS (per side)	2 Door	3 Door	4 Door	5 Door
Anti-Sweat	2.21	3.08	4.11	4.95
ECM Fan / # Fans	0.50/2	0.75/3	1.00/4	1.25/5
LED Lights Optimax Pro	0.33	0.50	0.66	0.83
Drain Heater	0.39	0.65	0.91	1.17
Electric Defrost (Electric - 208V)	6.09	9.13	12.17	15.22
All electrical data based on 115V. Add 0.97 amps for each end panel with heated glass.				

DEFROST CONTROLS			
Defrost	Per Day	Fail Safe	Termination
Electric	1	45 min	+65°F
Hot Gas	1	30 min	+47°F



Add 3" thickness for a pair of ends.



Type I refrigerator, intended for use in an area where the environmental conditions are controlled and maintained such that conditions do not exceed 75°F and 55% relative humidity. Kysor/Warren®, whose policy is one of continuous improvement, reserves the right to change at anytime, specifications, design or prices without incurring obligation.

Case BTUH per Door / per Side - LED Lights		
	Ice Cream	Frozen Food
ECM Fan	987	935

CAPACITIES per Side				
	2 Door	3 Door	4 Door	5 Door
Facing Area	24.9 ft ²	37.1 ft ²	49.5 ft ²	61.9 ft ²
Cubic Capacity	47.0 ft ³	70.0 ft ³	93.3 ft ³	116.9 ft ³

	Evap Temp	Discharge Air Velocity (1 hr. after defrost)	Discharge Air Temp
Ice Cream	-18°F	300 FPM	-11°F
Frozen Food	-11°F	300 FPM	-4°F

Applications:


Specification Sheet



The above case model, has case lengths that are UL and NSF approved.

Issue: 2.23.2012

Kysor/Warren
 5201 Transport Blvd
 Columbus, GA 31907

800-866-5596 phone
 706-568-8990 fax

www.kysorwarren.com

