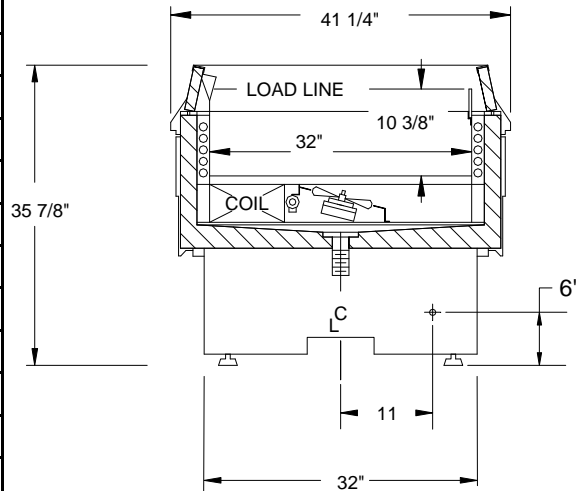
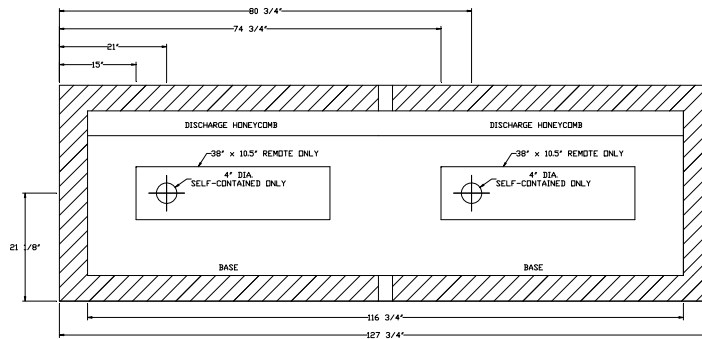


CASE DATA AMPS	LD1C - 10' (x2 = circuits)
Anti-Sweat	1.62 x 2
STD Fan / # of Motors	0.52 x 2 / 2
PSC Fan / # of Motors	0.26 x 2 / 2
ECM Fan / # of Motors	0.24 x 2 / 2
Defrost Heater	7.8 x 2
Refrigeration Cycle	14.94 x 2
Cubic Capacity	23.0
Compressor RLA	9.8 x 2
Condensate Pan Heater	2.5 x 2
Condenser Fan Motor	0.5 x 2
Minimum Circuit	17.25 x 2
Maximum OCP	20 x 2
Refrigerant	R404A
All electrical data based on 115V.	

DEFROST CONTROLS			
Defrost	Per Day	Fail Safe	Termination
Off Cycle (med. temp only)	3	40 min	55°F
Electric	3	40 min	55°F



Note: Installation & Operation Manual for this model contains detailed information regarding this case.



Type I refrigerator, intended for use in an area where the environmental conditions are controlled and maintained such that conditions do not exceed 75°F and 55% relative humidity. Kysor/Warren®, whose policy is one of continuous improvement, reserves the right to change at anytime, specifications, design or prices without incurring obligation. Dual-Jet® and Air Defrost® are registered trademarks of Kysor/Warren®.

BTUH per FT	
STD Fan	724
PSC Fan	714
ECM Fan	703

CAPACITIES	
Facing Area	13.12 ft ² (x2 for 10')
Cubic Capacity	10.2 ft ³ (x2 for 10')

Evap Temp	Discharge Air Velocity (1 hr. after defrost)	Discharge Air Temp
-25°F	300 FPM	-17°F
+20°F	300 FPM	+29°F



The above case model, has case lengths that are UL and NSF approved.

Issue: 11.13.2008

Kysor/Warren
5201 Transport Blvd
Columbus, GA 31907

800-866-5596 phone
706-568-8990 fax

www.kysorwarren.com

A proud partner of



Applications:



LD1C - Self Contained - 10 FT

Specification Sheet