

# LD1C1A - LEGACY

## SELF-CONTAINED SPECIFICATION SHEET



Capacities	Case Length (ft)	
	5'	10'
Facing Area (ft <sup>2</sup> )	13.33	26.56
Cubic Capacity (ft <sup>3</sup> )	10.42	20.75
<b>Electrical Data</b>		
Power Supply	208V/60Hz/1 Phase (4 wire)	
Refrigerant	R404A	R404A
ECM Fan Amps (# of Motors) (115V)	0.24 x 1	0.24 x 2
Compressor RLA	9.9	9.90 x 2
Anti-Condensate Heater Amps (115V)	1.12	0.93 x2
Condensate Pan Heater Amps (115V)	2.5	2.50 x 2
Condenser Fan Motor Amps (208V)	0.85	0.85 x 2
Minimum Circuit Ampacity	17.09	17.09 x 2
Maximum Overcurrent Protection	25	25 x 2
Defrost Heater Amps(115V)	7.83	7.83 x 2
Refrigeration Cycle Amps	14.61	14.61 x 2
<b>Refrigeration Data</b>		
	LT	MT
BTUH per FT of Case (ECM Fan)	3350	2750
Evaporator Temperature (°F)	-25°F	+20°F
Discharge Air Temperature (°F)	-15°F	+26°F
Discharge Air Velocity (1 hr. after defrost)	175-200 FPM	175-200 FPM

Defrost Data (off Cycle)			
Defrost	Per Day	Fail Safe	Termination
Electric	4	60 min.	48°F

1 At ASHRAE conditions. For conditions above 75°F, 55% RH, increase defrost time by 15 min. Type I refrigerator, intended for use in an area where the environmental conditions are controlled and maintained that conditions do not exceed 75°F and 55% relative humidity. Heatcraft Worldwide Refrigeration, whose policy is one of continuous improvement, reserves the right to change at any time specifications, designs, or prices without incurring obligation. DOE 2017 Compliant. NOTE: All 10' models have two separate refrigeration systems with two separate power cords.

### APPLICATIONS

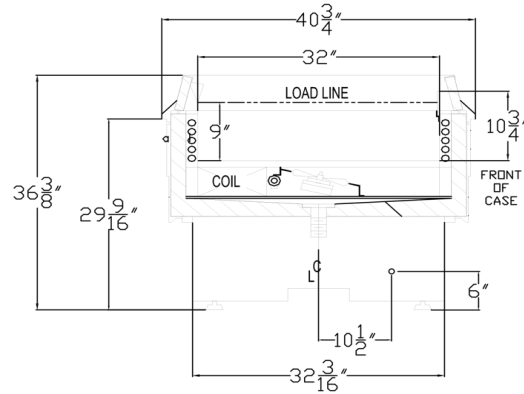


The above case model has case lengths that are UL and NSF approved.

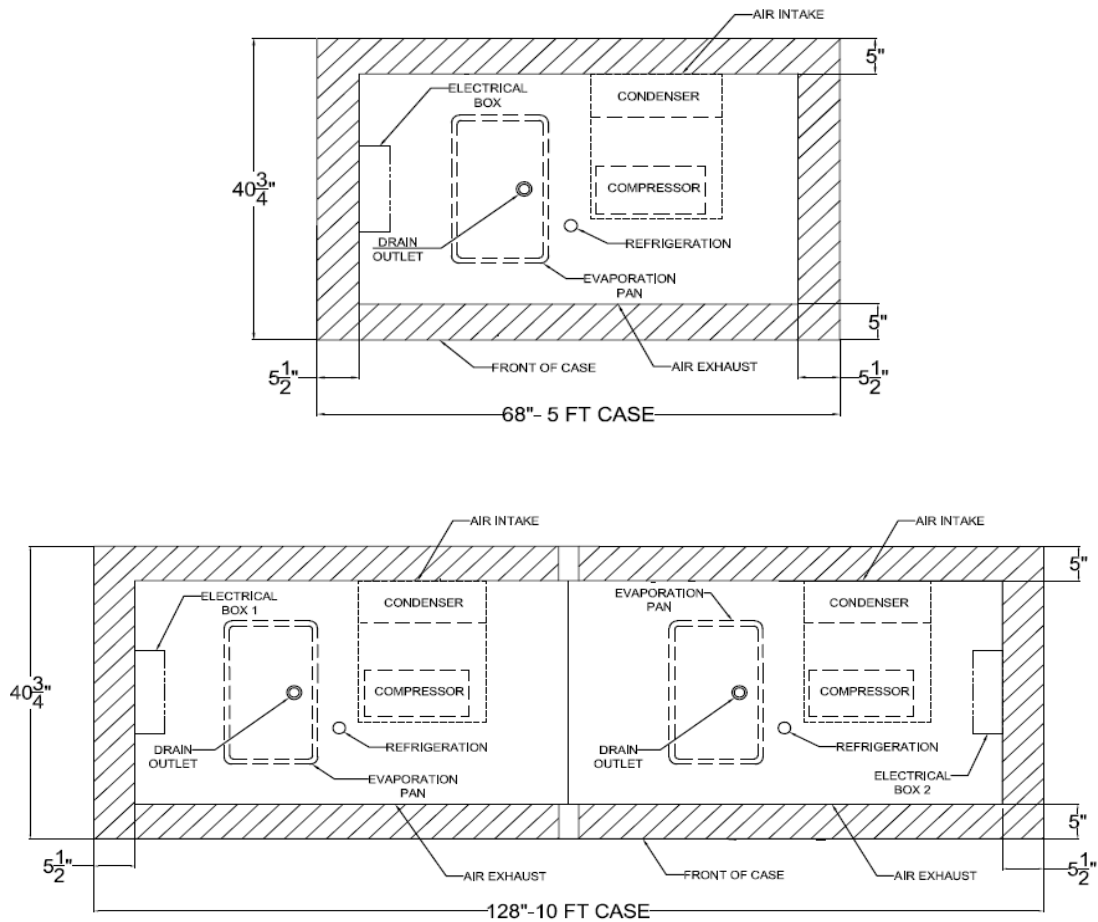
# LD1C1A - LEGACY

## SELF-CONTAINED SPECIFICATION SHEET

### LD1C1A CROSS VIEW



### LD1C1A PLAN VIEW



5201 Transport Blvd  
Columbus, GA 31907  
P: 800.866.5596 • F: 706.568.8990



[www.kysorwarren.com](http://www.kysorwarren.com)

