

ISSUE DATE: SEPTEMBER 2018

# QIV5V- Legacy

## REACH IN SPECIFICATION SHEET



General Case Data	# of Doors			
	2	3	4	5
Total Display Area (ft <sup>2</sup> )	23.04	34.56	46.08	57.60
Cubic Capacity (ft <sup>3</sup> )	57.80	86.16	114.88	143.60
Max Shelf Depth (in) [Top/Bottom]	27/27	27/27	27/27	27/27
Weight (lb)	-	-	-	-
Refrigeration Data (All data is per side)				
Evaporator Temperature (°F)				
Ice Cream	-17	-17	-17	-17
Discharge Air Temperature (°F)	-11	-11	-11	-11
Discharge Air Velocity (fpm)	300	300	300	300
Fan Speed (rpm)	1800	1800	1800	1800
Parallel Thermal Load (Btuh)				
Ice Cream	2241	3293	4298	5256
Conventional Thermal Load (Btuh)				
Ice Cream	2312	3397	4433	5422
Superheat Setpoint (°F)	6-8	6-8	6-8	6-8
Conventional Thermal Load (Btuh)	1.305	1.855	2.747	3.743
Electrical Data (Amps/Qty)				
115V/60Hz, 1 Phase				
Fans	0.42	0.63	0.84	1.05
LED				
Optimax Radiant	0.30	0.45	0.60	0.75
Anti-Sweat Heater Amps (I.C./F.F.)	2.01	2.71	3.35	4.97
Drain Heater Amps				
Electric	0.39	0.65	0.91	1.17
Hot Gas	0.39	0.65	0.91	1.17
208V/60Hz, 1 Phase				
Defrost Heater Amps	6.08	9.12	12.16	15.20

Defrost Data				
	Per Day	Fail Safe (min) <sup>1</sup>	Termination (°F)	Drip Time (min)
Electric	1	45	65	0
Hot Gas	1	30	47	0

<sup>1</sup> At ASHRAE conditions. For conditions above 75°F, 55% RH, increase defrost time by 15 min.  
 Type I refrigerator, intended for use in an area where the environmental conditions are controlled and maintained that conditions do not exceed 75°F and 55% relative humidity. Heatcraft Worldwide Refrigeration, whose policy is one of continuous improvement, reserves the right to change at any time specifications, designs, or prices without incurring obligation. DOE 2017 Compliant

### APPLICATIONS

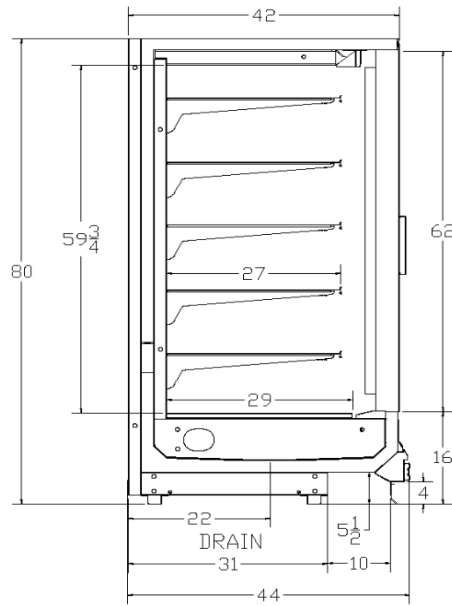


The above case model has case lengths that are UL and NSF approved.

# QIV5V - Legacy

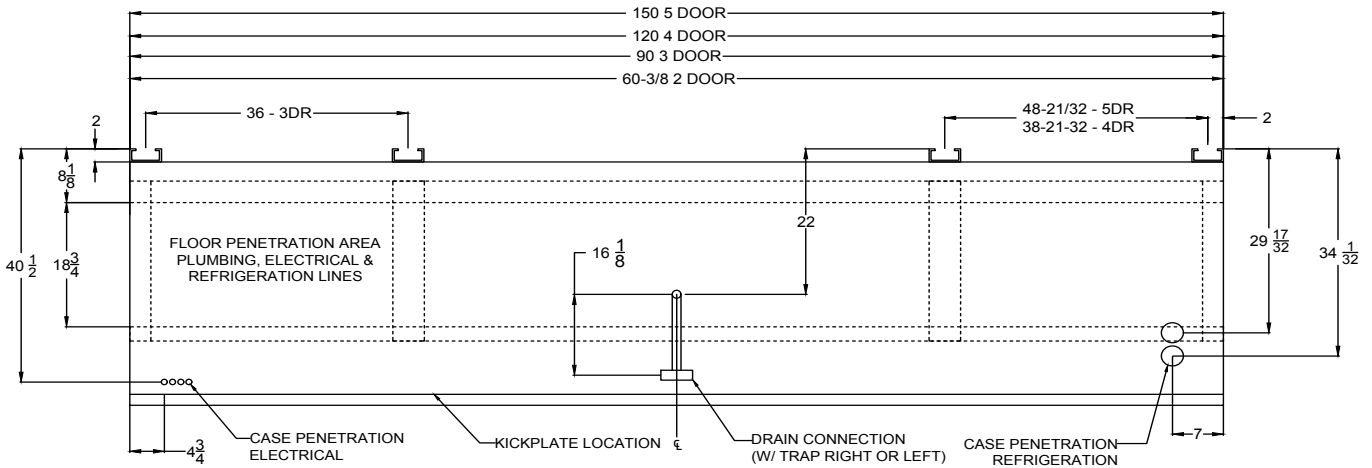
## REACH IN SPECIFICATION SHEET

### QIV5V CROSS VIEW



Add 3" thickness for a pair of ends.

### QIV5V PLAN VIEW



5201 Transport Blvd  
Columbus, GA 31907  
P: 800.866.5596 • F: 706.568.8990



[www.kysorwarren.com](http://www.kysorwarren.com)

