

ISSUE DATE: SEPTEMBER 2018

QIV5V- MCU

REACH-IN MERCHANDISER



of Doors

APPLICATIONS

General Case Data	2	3	4	5
Total Display Area (ft ²)	23.04	34.56	46.08	57.60
Cubic Capacity (ft ³)	57.80	86.16	114.88	143.60
Max Shelf Depth (in) [Top/Bottom]	27/27	27/27	27/27	27/27
Weight (lb)	-	-	-	-
Refrigeration Data (All data is per side)				
Evaporator Temperature (°F)				
Ice Cream	-17	-17	-17	-17
Discharge Air Temperature (°F)				
Ice Cream	-11	-11	-11	-11
Discharge Air Velocity (fpm)	300	300	300	300
Fan Speed (rpm)	1800	1800	1800	1800
Refrigerant Type	R-448A	R-448A	R-448A	R-448A
Refrigerant Charge (lbs)	4.75	5.50	8.25	11.20
Conventional Thermal Load (Btuh)				
Ice Cream	2312	3397	4433	5422
Superheat Setpoint (°F)	6-8	6-8	6-8	6-8
Electrical Data (Amps/Qty)				
"Power Supply (Volts/Hertz/Phase)				
Circuit 1 - Modular Condensing Unit (208V)	208V/60HZ/1PH	208V/60HZ/1PH	208V/60HZ/1PH	208V/60HZ/1PH
Circuit 2 - Case Circuit (115V)"	115V/60HZ/1PH	115V/60HZ/1PH	115V/60HZ/1PH	115V/60HZ/1PH
Evaporator Fan Motor Amps (115 V)	0.42	0.63	0.84	1.05
Anti-sweat Heater Amps (115 V)	2.01	2.71	3.35	4.97
Lights Amps (115V)	0.30	0.45	0.60	0.75
Defrost Heater Amps	6.08	9.12	12.16	15.20
Condensate Pump Amps (115 V)	1.00	1.00	1.00	1.00
Condensate Pan Heater Amps	8.33	8.33	8.33	8.33
Compressor RLA	7.40	12.00	13.90	23.60
Compressor LRA	40.30	56.00	75.00	104.00
Condenser Fan Motor Amps	1.10	1.10	1.10	2.20
Refrigeration Cycle Amps	12.06	13.12	14.12	16.10
Defrost Cycle Amps	12.03	13.14	14.19	16.22
Case Circuit Minimum Circuit Ampacity	15.08	16.43	17.74	20.28
Case Circuit Maximum Overcurrent Protection	20	20	20	20
Condensing Unit Minimum Circuit Ampacity	10.35	16.10	18.48	31.70
Condensing Unit Maximum Overcurrent Protection	15	25	30	50

Defrost Data (Electric)			
Defrosts per Day	Failsafe Duration (min) ¹	Termination Temp (°F)	Drip Time (min)
1	45	65	0

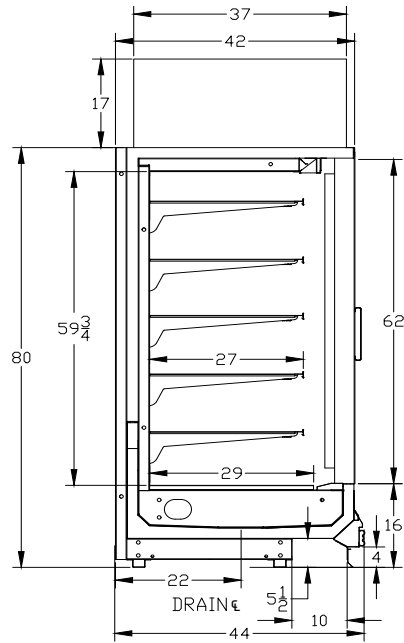
¹ At ASHRAE conditions. For conditions above 75°F, 55% RH, increase defrost time by 15 min. Type I refrigerator, intended for use in an area where the environmental conditions are controlled and maintained that conditions do not exceed 75°F and 55% relative humidity. Heatcraft Worldwide Refrigeration, whose policy is one of continuous improvement, reserves the right to change at any time specifications, designs, or prices without incurring obligation. DOE 2017 Compliant



The above case model has case lengths that are UL and NSF approved.

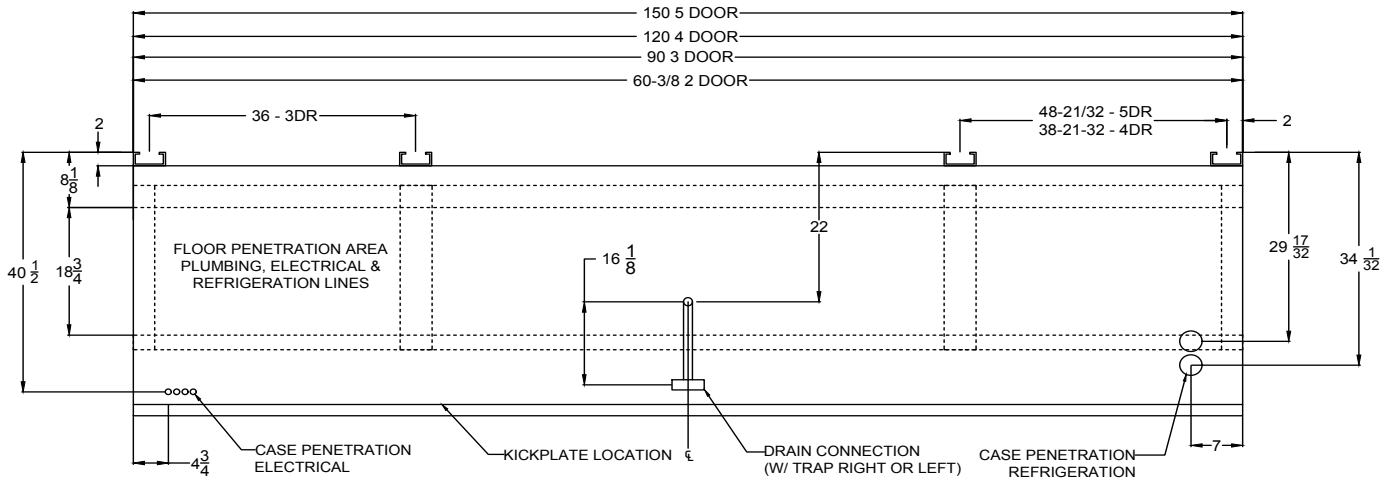
QIV5V- MCU
REACH-IN MERCHANDISER

QIV5V CROSS VIEW



Add 3" thickness for a pair of ends.

QIV5V PLAN VIEW



5201 Transport Blvd
 Columbus, GA 31907
 P: 800.866.5596 • F: 706.568.8990



www.kysorwarren.com

