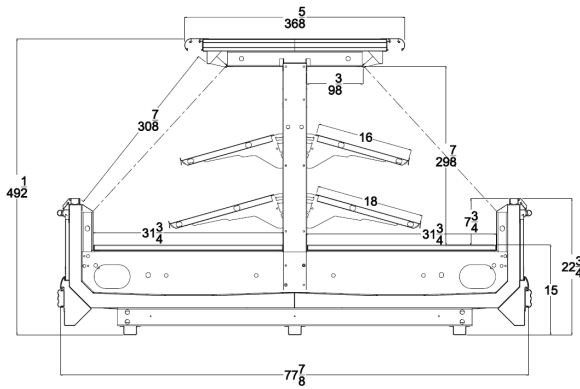


Case Data Amps per Side	6'	8'	12'
STD Fan / # of Motors	0.70/2	0.70/2	1.05/3
PSC Fan / # of Motors	0.44/2	0.44/2	0.66/3
ECM Fan / # of Motors	0.60/2	0.60/2	0.90/3
Lighted Shelves (Per row)	0.40	0.50	0.75
Electric Defrost Heater (Optional 230 V)	5.61	7.93	11.54

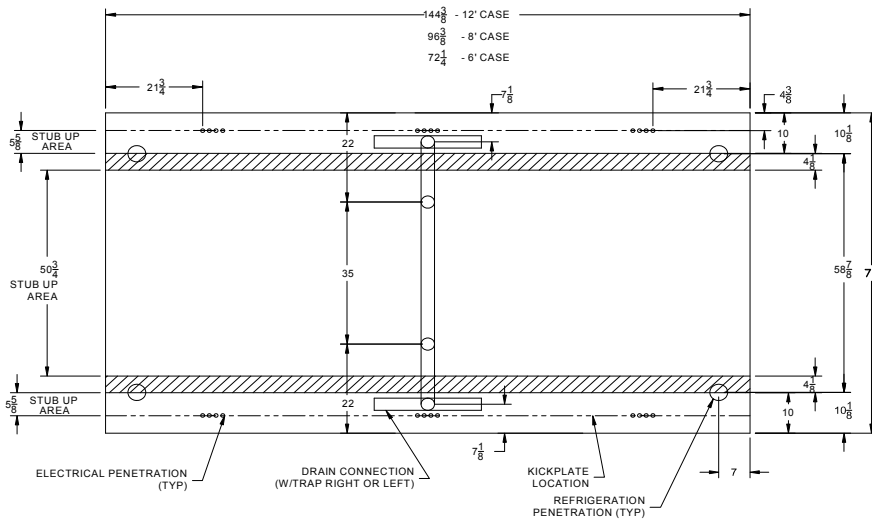
All electrical data based on 115V and unlighted shelves. For lighted shelves, please add 0.25 amps per shelf.

DEFROST CONTROLS			
Defrost	Per Day	Fail Safe	Termination
Electric	4	35 min	48°F
Hot gas	4	20 min	48°F
Off Cycle	4	40 min	48°F



Assorted Shelving Options Available.

Add 3" thickness for a pair of ends.



Type I refrigerator, intended for use in an area where the environmental conditions are controlled and maintained such that conditions do not exceed 75°F and 55% relative humidity. Kysor/Warren®, whose policy is one of continuous improvement, reserves the right to change at anytime, specifications, design or prices without incurring obligation. Dual-Jet® and Air Defrost® are registered trademarks of Kysor/Warren®.

BTUH per Side (unlighted shelves)			
	6'	8'	12'
STD Fan	5610	7480	11220
PSC Fan	5550	7400	11100
ECM Fan	5490	7320	10980

**NOTE:** For sizing conventional or individual condensing units, add 8% to BTUH load. For lighted shelves, add 19 BTUH per FT per row of lighted shelves.

CAPACITIES			
	6'	8'	12'
Facing Area (per side)	14.6 ft <sup>2</sup>	19.5 ft <sup>2</sup>	29.3 ft <sup>2</sup>
Cubic Capacity (per side)	26.2 ft <sup>3</sup>	34.9 ft <sup>3</sup>	52.4 ft <sup>3</sup>

Evap Temp	Discharge Air Velocity (1 hr. after defrost)	Discharge Air Temp
+24°F	250 FPM	+29°F

**Applications:**  
**QM2T - Twin Island**

**Specification Sheet**

