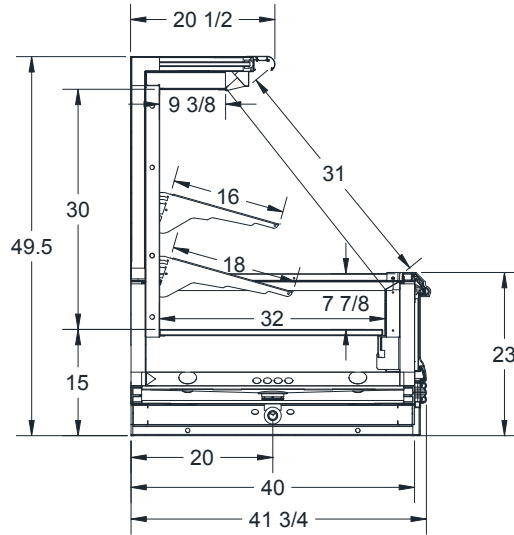


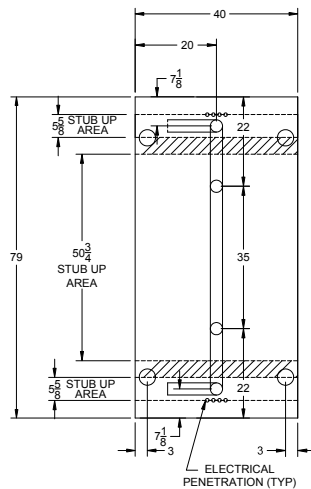
CASE DATA AMPS	4' End
STD Fan / # of Motors	0.70/2
PSC Fan / # of Motors	0.44/2
ECM Fan / # of Motors	0.60/2
Lighted Shelves (Per row)	0.40
Electric Defrost Heater (Optional 230 V)	5.61
All electrical data based on 115V and unlighted shelves. For lighted shelves, please add 0.25 amps per shelf.	

DEFROST CONTROLS			
Defrost	Per Day	Fail Safe	Termination
Electric	4	35 min	48°F
Hot gas	4	20 min	48°F
Off Cycle	4	40 min	48°F



Assorted Shelving Options Available.

Add 3" thickness for a pair of ends.



Type I refrigerator, intended for use in an area where the environmental conditions are controlled and maintained such that conditions do not exceed 75°F and 55% relative humidity. Kysor/Warren®, whose policy is one of continuous improvement, reserves the right to change at anytime, specifications, design or prices without incurring obligation. Dual-Jet® and Air Defrost® are registered trademarks of Kysor/Warren®.

BTUH (unlighted shelves)	
	4' End
STD Fan	5610
PSC Fan	5550
ECM Fan	5490
NOTE: For sizing conventional or individual condensing units, add 8% to BTUH load. For lighted shelves, add 19 BTUH per FT per row of lighted shelves.	

CAPACITIES	
	4' End
Facing Area	14.6 ft ²
Cubic Capacity	26.2 ft ³

Evap Temp	Discharge Air Velocity (1 hr. after defrost)	Discharge Air Temp
+24°F	250 FPM	+29°F

QM2TE - 4' Island End Case

Applications:



Specification Sheet



Issue: 8.24.2011