



**Case Length (ft)**

**General Case Data**

	4'	6'	8'	12'
Total Display Area (ft <sup>2</sup> )	13.17	19.75	26.33	39.50
Cubic Capacity (ft <sup>3</sup> )	33.20	49.80	66.40	99.60
Max Shelf Depth (in) [Top/Bottom]	16/22	16/22	16/22	16/22
Weight (lb)	-	-	-	-

**Thermal Load (General)**

Discharge Air Velocity (fpm)	200-250	200-250	200-250	200-250
Discharge Air Temp (°F)	29	29	29	29
Conventional Thermal Load, Single (Btuh) with one row of canopy LED	4828	7242	9656	14484
Conventional Thermal Load, Single (Btuh) with one row of canopy T8	4852	7278	9704	14556
Parallel Thermal Load, Single (Btuh) with one row of canopy LED	4364	6546	8727	13091
Parallel Thermal Load, Single (Btuh) with one row of canopy T8	4388	7278	8775	13163
Additional Btuh per ft LED - Canopy / Shelf & Nose	13 / 11	13 / 11	13 / 11	13 / 11
Additional Btuh per ft T8	19	19	19	19

**Thermal Load (HFC)**

Evaporator Temperature (°F)	24	24	24	24
Superheat Setpoint (°F)	6 - 8	6 - 8	6 - 8	6 - 8
Estimated Refrigerant Charge (lbs)	3.588	5.717	7.858	12.117

**Thermal Load (Glycol)**

Supply Temperature (°F)	20	20	20	20
Flow (GPM)	QTE	QTE	QTE	QTE
Fluid %	35	35	35	35
Pressure Drop (PSID)	QTE	QTE	QTE	QTE

**Electrical Data (Amps/Watts)**

<i>115V/60Hz, 1 Phase</i>				
Fans	0.22	0.40	0.43	0.65
<i>Canopy Lights (per row)</i>				
GE LED	0.19	0.28	0.37	0.56
T8	0.25	0.40	0.50	0.75
<i>Shelf Lights (per row)</i>				
GE LED	0.06	0.09	0.12	0.19
T8	0.24	0.43	0.47	0.71

Defrost Data	Per Day	Fail Safe (min) <sup>1</sup>	Termination (°F)	Drip Time (min)
Hot Gas	4	20	48	0
Off Cycle	4	35	48	2

<sup>1</sup> At ASHRAE conditions. For conditions above 75F, 55% RH, increase defrost time by 15 min.

Type I refrigerator, intended for use in an area where the environmental conditions are controlled and maintained that conditions do not exceed 75°F and 55% relative humidity. Heatcraft Worldwide Refrigeration, whose policy is one of continuous improvement, reserves the right to change at any time specifications, designs, or prices without incurring obligation. QTE = available only with a quote to engineering

DOE 2017 Compliant

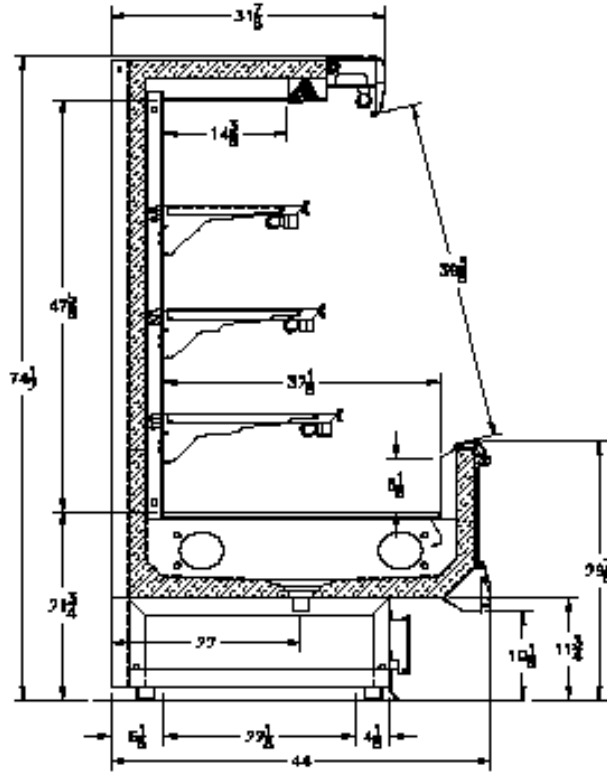


The above case model has case lengths that are UL and NSF approved.



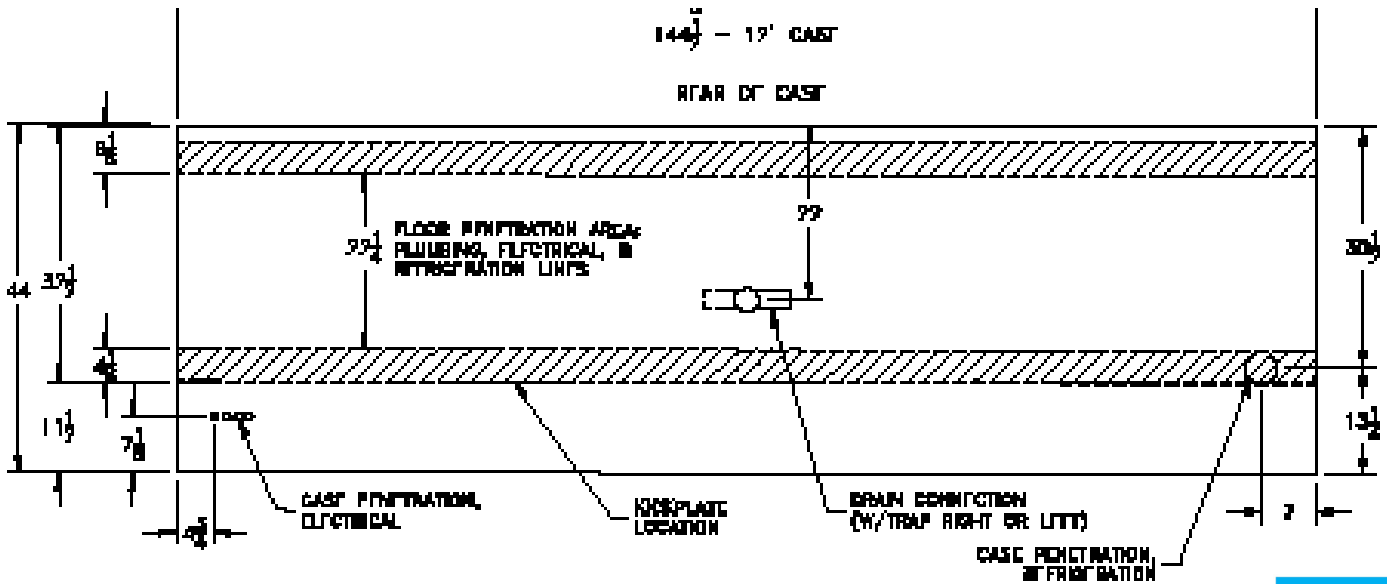
Merchandising Applications

QM4A Cross View



Add 3" thickness for a pair of ends.

QM4A Plan View



**KYSOR/WARREN®**

5201 Transport Blvd. • Columbus, GA 31907  
 P: 800.866.5596 • F: 706.568.8990  
 kysorwarren.com



A Proud Partner of:

