

QM5 -- LEGACY Multi-Deck

Issue Date: 06/20/2017



Case Length (ft)

General Case Data

	4'	6'	8'	12'
Total Display Area (ft ²)	17.50	26.20	35.00	52.50
Cubic Capacity (ft ³)	38.00	56.90	76.00	113.90
Max Shelf Depth (in) [Top/Bottom]	16/22	16/22	16/22	16/22
Weight (lb)	-	-	-	-

Thermal Load (General)

	4'	6'	8'	12'
Discharge Air Velocity (fpm)	200	200	200	200
Discharge Air Temp (°F)	29	29	29	29
Conventional Thermal Load, Single (Btuh) with one row of canopy LED	6085	9128	12171	18257
Conventional Thermal Load, Single (Btuh) with one row of canopy T8	6109	9164	12219	18329
Parallel Thermal Load, Single (Btuh) with one row of canopy LED	5498	8248	10998	16497
Parallel Thermal Load, Single (Btuh) with one row of canopy T8	5522	9164	11046	16569
Additional Btuh per ft LED - Canopy / Shelf & Nose	13 / 11	13 / 11	13 / 11	13 / 11
Additional Btuh per ft T8	19	19	19	19

Thermal Load (HFC)

	4'	6'	8'	12'
Evaporator Temperature (°F)	23	23	23	23
Superheat Setpoint (°F)	6 - 8	6 - 8	6 - 8	6 - 8
Estimated Refrigerant Charge (lbs)	3.588	5.717	7.858	12.117

Thermal Load (Glycol)

	4'	6'	8'	12'
Supply Temperature (°F)	20	20	20	20
Flow (GPM)	QTE	QTE	QTE	QTE
Fluid %	35	35	35	35
Pressure Drop (PSID)	QTE	QTE	QTE	QTE

Electrical Data (Amps/Watts)

115V/60Hz, 1 Phase				
Fans	0.22	0.40	0.44	0.66
<i>Canopy Lights (per row)</i>				
GE LED	0.19	0.28	0.37	0.56
T8	0.24	0.43	0.47	0.71
<i>Shelf Lights (per row)</i>				
GE LED	0.06	0.09	0.12	0.19
T8	0.24	0.43	0.47	0.71

Defrost Data (Off Cycle)

Defrosts per Day	Failsafe Duration (min) ¹	Termination Temp (°F)	Drip Time (min)
4	35	48	2

¹ At ASHRAE conditions. For conditions above 75F, 55% RH, increase defrost time by 15 min.

Type I refrigerator, intended for use in an area where the environmental conditions are controlled and maintained that conditions do not exceed 75°F and 55% relative humidity.

Heatcraft Worldwide Refrigeration, whose policy is one of continuous improvement, reserves the right to change at any time specifications, designs, or prices without incurring obligation.

QTE = available only with a quote to engineering

DOE 2017 Compliant

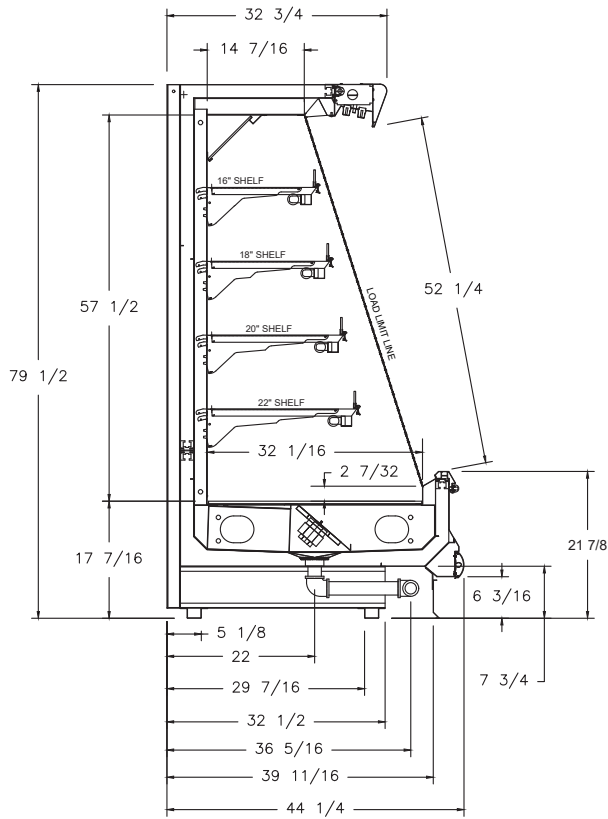


The above case model has case lengths that are UL and NSF approved.



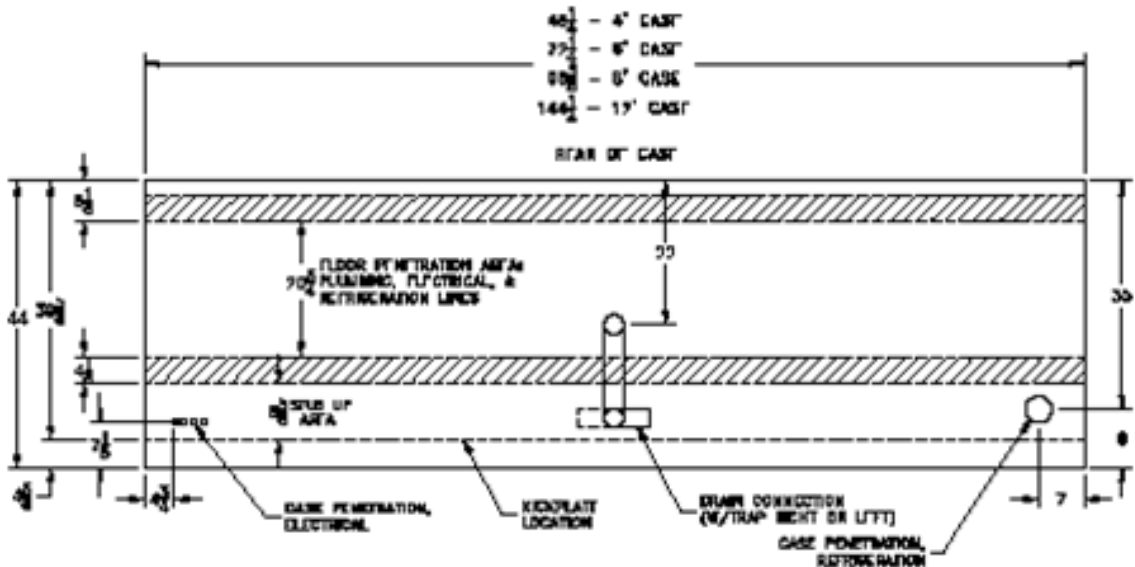
Merchandising Applications

QM5 Cross View



Add 3" thickness for a pair of ends.

QM5 Cross View



KYSOR/WARREN®

5201 Transport Blvd. • Columbus, GA 31907
 P: 800.866.5596 • F: 706.568.8990
 kysorwarren.com

A Proud Partner of:

