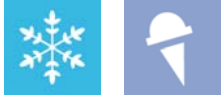




# RX6SL – Reach-In



Celebrating Over 125 Years  
Keeping It Cool and Green



Ice Cream



Frozen Food



Ice Cream

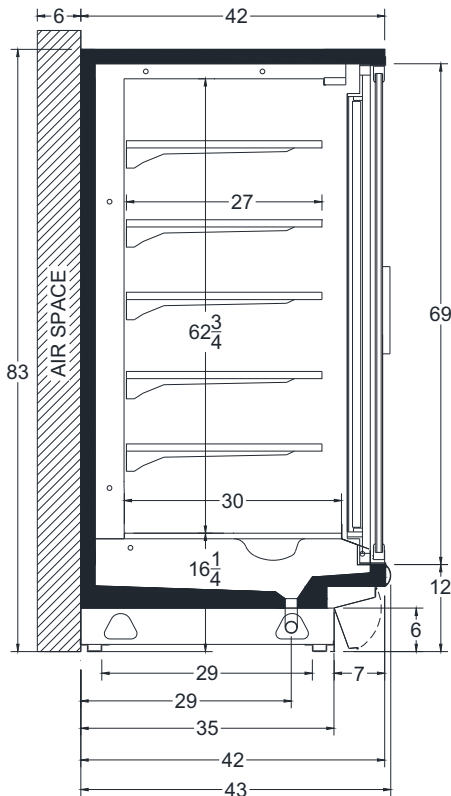


A proud partner of



# RX6SL

## Reach-In Display Case



Add 3 1/2" thickness for a pair of ends

22" - 27" (Maximum) Shelf Depths

Our new case line has been designed with a focus on things most important to your bottom line. Ease of use, high energy efficiency, sleek attractive styling and customization have been merged together in our new low temperature (ice cream or frozen food) Stratus RX6SL reach-in case.

### Standard Features

- Available in 2, 3, 4 or 5 door models
- High energy efficiency (60% savings compared to open cases)
- ECM energy efficient fan motors
- Electric defrost
- Heavy duty steel base
- Sustainable modular coil
- Removable fan plenum for easy cleaning
- Seamless leak resistant tub liner
- Interior rear duct panel design allows tool-free removal
- Hinged, drop down electrical raceway
- Standard LED lighting
- 5 levels of product display shelving in addition to the deck pan level

### Options and Accessories

- Gas defrost
- Energy efficient LED lighting
- Multiple door options including anti-fog glass
- Assorted shelf sizes and styles
- Bottom wire racks
- Recycled/ recyclable bumpers
- Multiple color and finish choices (interior and exterior)
- Refrigerant piping access: bottom, top or rear
- Case controllers

### Specifications

CAPACITIES		
Doors	Total Display Area	Refrigerated Volume
2	26.4 ft <sup>2</sup>	65.0 ft <sup>3</sup>
3	39.7 ft <sup>2</sup>	97.4 ft <sup>3</sup>
4	52.9 ft <sup>2</sup>	129.9 ft <sup>3</sup>
5	66.1 ft <sup>2</sup>	162.4 ft <sup>3</sup>

Type I refrigerator is intended for use in an area where store ambient air conditions are controlled and maintained such that conditions do not exceed 75°F dry bulb with 55% relative humidity. Kysor/Warren, whose policy is one of continuous improvement, reserves the right to change at any time, specifications, design or prices without incurring obligation.

090211

**RX6SL**  
 Reach-In Display Case

