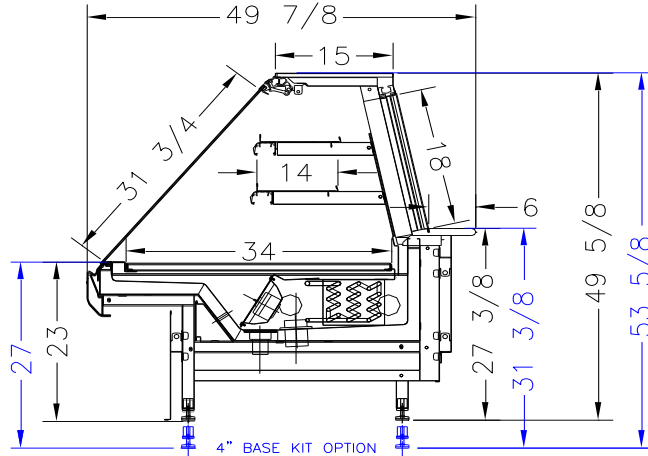
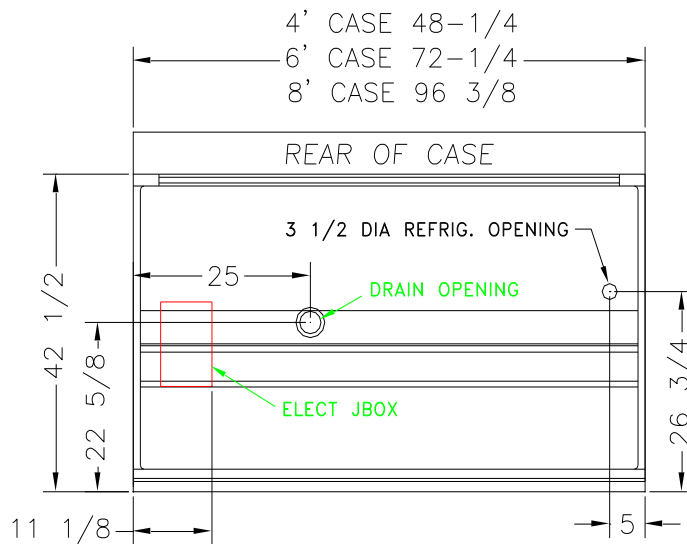


| CASE DATA | 4' | 8' |
|--|------|------|
| Anti-Sweat Amps | 0.50 | 1.10 |
| STD Fan Amps | 0.68 | 1.02 |
| PSC Fan Amps | 0.44 | 0.66 |
| ECM Fan Amps | 0.40 | 0.60 |
| T8 Light (Canopy) | 0.25 | 0.50 |
| T8 Light (per shelf) | 0.25 | 0.25 |
| All electrical data based on 115V and unlighted shelves. For lighted shelves, please add 98 BTU and 0.25 amps per shelf. Add 0.063 amps per foot for nose light. | | |



| DEFROST CONTROLS | | | |
|------------------|---------|-----------|-------------|
| Defrost | Per Day | Fail Safe | Termination |
| Off Cycle | 4 | 45 min | 55°F |

Add 3" thickness for pair of ends.



Type I refrigerator, intended for use in an area where the environmental conditions are controlled and maintained such that conditions do not exceed 75 deg F and 55% relative humidity. Kysor/Warren, whose policy is one of continuous improvement, reserves the right to change at any time, specifications, design or prices without incurring obligation. Dual-Jet and Air Defrost are registered trademarks of Kysor/Warren.

| Evap Temp | BTU/ FT | Discharge Air Temp | Discharge Air Velocity |
|---|---------|--------------------|------------------------|
| 20°F | 650 | 27° F | 250 FPM |
| NOTE: For sizing conventional/individual condensing units ADD 8% to BTU LOAD. | | | |

Issue: 6.15.2010