

## VRM-950-12RP Service

### Application:



CASE DATA	4'	8'
Anti-Sweat Amps	.50	1.10
Fan Amps	.70	1.05
Light Amps	.24	.47
Defrost Load Amps (If electric)	NA	NA
# Defrosts Required	4	4
Evaporator Temperature °F	20°F	20°F
BTU Requirements	2000	4000

**NOTE:** For sizing conventional/individual condensing units ADD 8% to BTU LOAD.

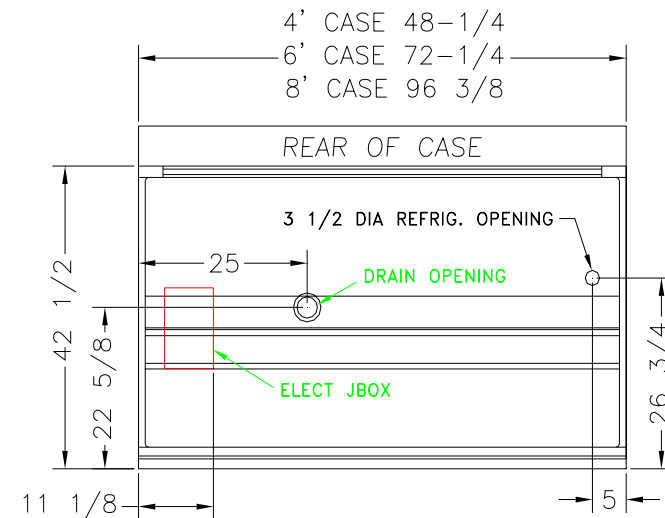
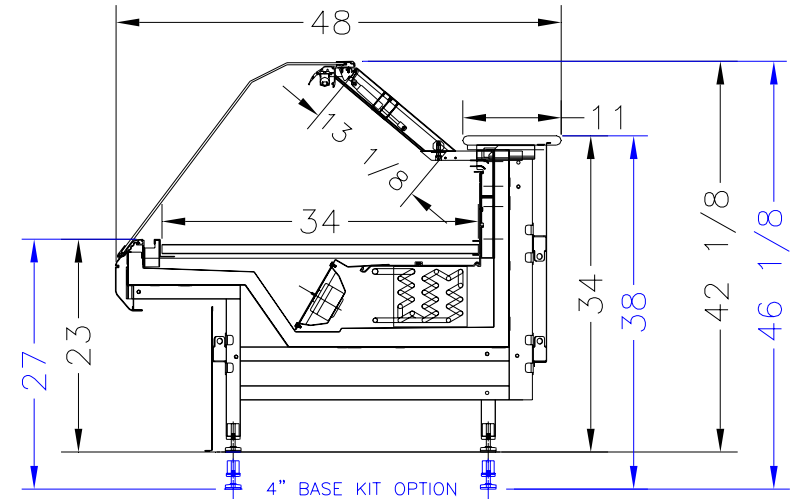
<u>Defrost</u>	<u>Per Day</u>	<u>Fail Safe</u>	<u>Termination</u>
Off Cycle	4	45 min	55°
Super Heat		6-8	
Discharge Air Temp		26-28	

Type I refrigerator, intended for use in an area where the environmental conditions are controlled and maintained such that conditions do not exceed 75 deg F and 55% relative humidity. Kysor/Warren, whose policy is one of continuous improvement, reserves the right to change at any time, specifications, design or prices without incurring obligation.

Dual-Jet and Air Defrost are registered trademarks of Kysor/Warren.



STANDARD FLOOR PLANS FOR 950 CASES  
DIMENSIONS DO NOT INCLUDE  
WORKBOARDS, BUMPERS OR ENDS.



Issue: Sept - 06

