

VRMB-950-RP Service

Application:



CASE DATA	4'	8'
Anti-Sweat Amps	0.50	1.10
Fan Amps	1.40	2.35
Light Amps	0.24	0.47
Defrost Load Amps (If electric)	NA	NA
# Defrosts Required	4	4
Evaporator Temperature °F	20°F	20°F
BTU Requirements	2600	5200

NOTE: For sizing conventional/individual condensing units ADD 8% to BTU LOAD.

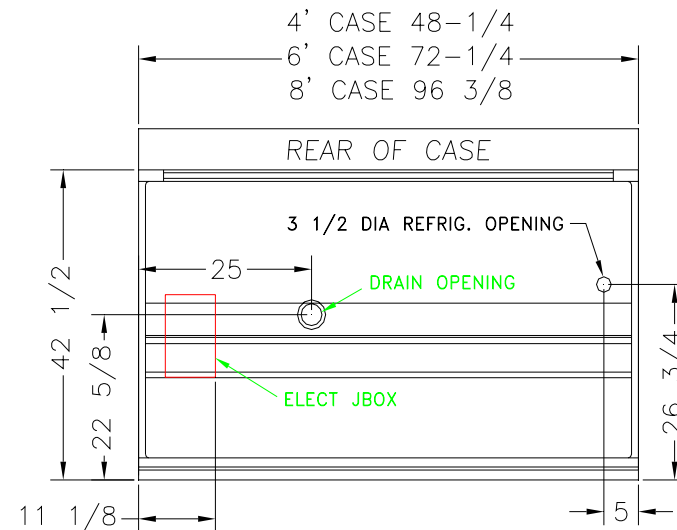
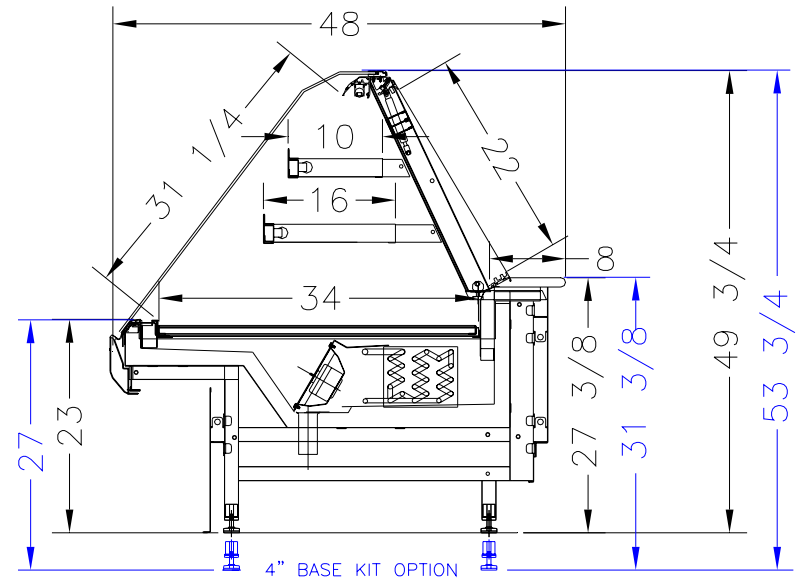
Defrost	Per Day	Fail Safe	Termination
Off Cycle	4	45 min	55°
Super Heat		6-8	
Discharge Air Temp		26-28	

Type I refrigerator, intended for use in an area where the environmental conditions are controlled and maintained such that conditions do not exceed 75 deg F and 55% relative humidity. Kysor/Warren, whose policy is one of continuous improvement, reserves the right to change at any time, specifications, design or prices without incurring obligation.

Dual-Jet and Air Defrost are registered trademarks of Kysor/Warren.



STANDARD FLOOR PLANS FOR 950 CASES
DIMENSIONS DO NOT INCLUDE
WORKBOARDS, BUMPERS OR ENDS.



Issue: Sept - 06

