

WIL- Legacy

ISLAND SPECIFICATION SHEET



General Case Data	Case Length (ft)	
	8"	12"
Total Display Area (ft ²)	28.53	42.77
Cubic Capacity (ft ³)	37.95	56.90
Max Shelf Depth (in) [Top/Bottom]	N/A	N/A
Weight (lb)	-	-
Refrigeration Data (All data is per side)		
Evaporator Temperature (°F)	-20	-20
Discharge Air Temperature (°F)	-8	-8
Discharge Air Velocity (fpm)	130	130
Fan Speed (rpm)	1800	1800
Parallel Thermal Load (Btuh unlighted)	4293	6440
Conventional Thermal Load (Btuh unlighted)	4480	6720
Superheat Setpoint (°F)	6-8	6-8
Estimated Refrigerant Charge (lbs)	6.107	9.682
Electrical Data (Amps/Watts)		
ECM Fan Data (Amps/Qty)	0.42 / 2	0.63 / 3
Anti-Sweat Heater Amps (I.C./F.F./Med. Temp)	0.97	1.46
Drain Heater Amps		
Electric	0.26	0.26
Defrost Heater Amps (Low/Dual Temp)	8.48	12.72

Defrost Data				
	Per Day	Fail Safe (min) ¹	Termination (°F)	Drip Time (min)
Electric	1	60	55	0

APPLICATIONS



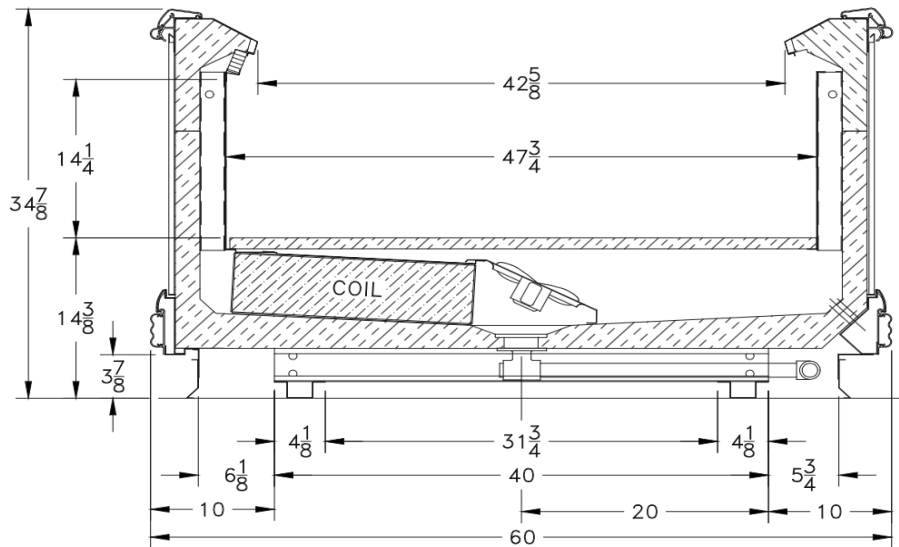
¹ At ASHRAE conditions. For conditions above 75°F, 55% RH, increase defrost time by 15 min. Type I refrigerator, intended for use in an area where the environmental conditions are controlled and maintained that conditions do not exceed 75°F and 55% relative humidity. Heatcraft Worldwide Refrigeration, whose policy is one of continuous improvement, reserves the right to change at any time specifications, designs, or prices without incurring obligation. DOE 2017 Compliant

The above case model has case lengths that are UL and NSF approved.

WIL- LEGACY

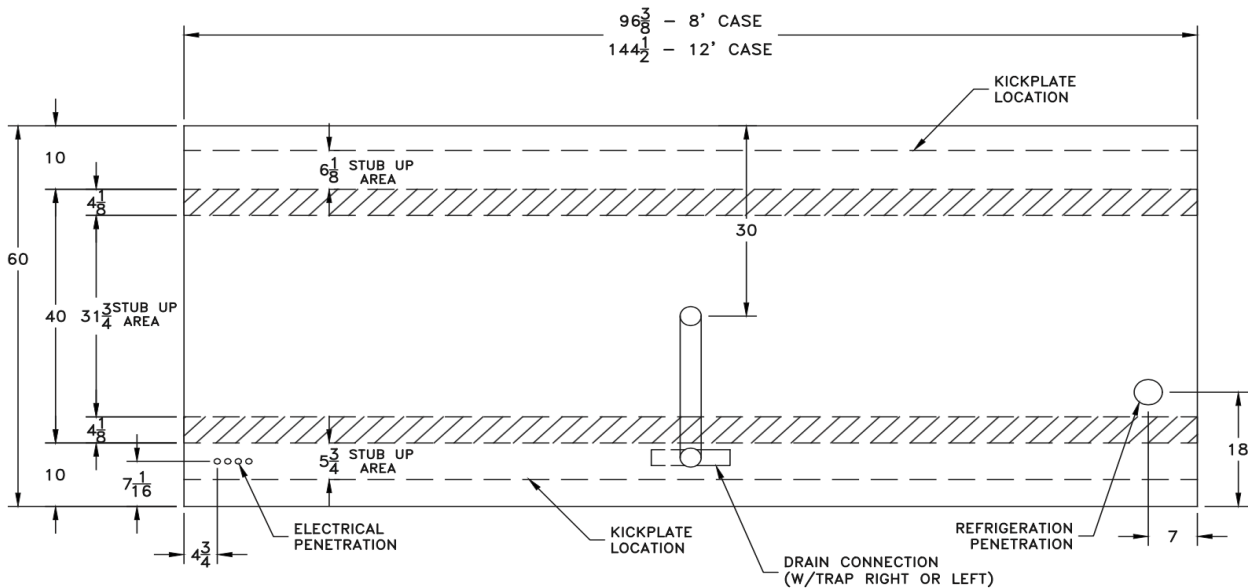
ISLAND SPECIFICATION SHEET

WIL CROSS VIEW



Add 3" thickness for a pair of ends.

WIL PLAN VIEW



5201 Transport Blvd
Columbus, GA 31907
P: 800.866.5596 • F: 706.568.8990



www.kysorwarren.com

