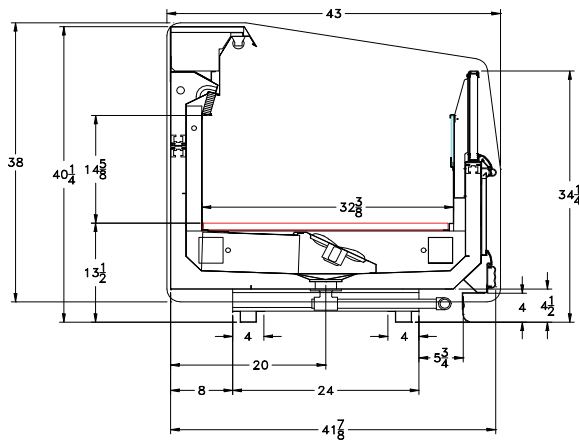
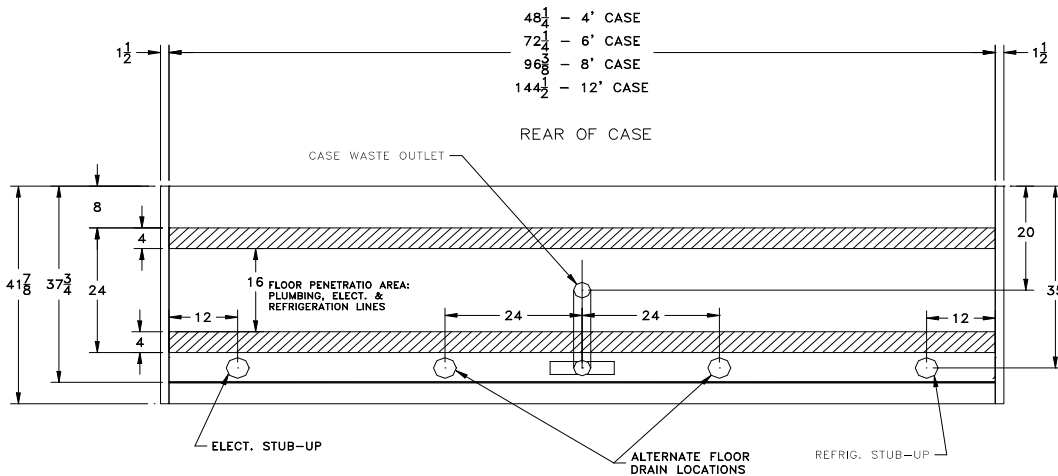


CASE DATA Amps	6'	8'	12'
Anti-Sweat	1.37	1.38	2.25
T8 Lights	0.44	0.50	0.75
LED Lights	0.37	0.48	0.72
STD Fan / # of Motors	0.34/1	0.68/2	0.68/2
PSC Fan / # of Motors	0.26/1	0.52/2	0.52/2
ECM Fan / # of Motors	0.20/1	0.40/2	0.40/2
Drain Heater	0.39	0.65	1.09
Electric Defrost Heater (Optional electric - 230V)	6.52	9.37	14.06
All electrical data based on 115V.			

DEFROST CONTROLS			
Defrost	Per Day	Fail Safe	Termination
Electric	1	60 min	55°F
Hot Gas	1	40 min	65°F



Add 3" thickness for a pair of ends.



Type I refrigerator, intended for use in an area where the environmental conditions are controlled and maintained such that conditions do not exceed 75°F and 55% relative humidity. Kysor/Warren®, whose policy is one of continuous improvement, reserves the right to change at anytime, specifications, design or prices without incurring obligation.

BTUH per FT	
Frozen Food	
STD Fan	425
PSC Fan	418
ECM Fan	410
Ice Cream	
STD Fan	440
PSC Fan	433
ECM Fan	425
NOTE: For sizing conventional or individual condensing units, add 8% to BTUH load.	

CAPACITIES			
	6'	8'	12'
Facing Area	11.5 ft ²	15.3 ft ²	23.5 ft ²
Cubic Capacity	19.9 ft ³	26.5 ft ³	39.7 ft ³

Evap Temp	Discharge Air Velocity (1 hr. after defrost)	Discharge Air Temp
-20°F (FF)	120 - 130 FPM	-8°F
-30°F (IC)	120 - 130 FPM	-8°F



The above case model, has case lengths that are UL and NSF approved.

Issue: 11.21.2011

Kysor/Warren
5201 Transport Blvd
Columbus, GA 31907

800-866-5596 phone
706-568-8990 fax

www.kysorwarren.com

Applications:
XLG - Single Deck



Specification Sheet



XLGN1- Single Deck Narrow Frozen Application:



CASE DATA	06	08	12
Anti-Sweat Amps	1.37	1.38	2.25
Fan Amps (SP)	.94	.94	.94
Light Amps		0.47	0.70
Drain Heater Amps.	0.39	0.39	0.83
Defrost Load Amps (If elec-230V)	6.52	9.37	14.06
# Defrosts Required	1	1	1
BTU Requirements at -20°F	2550	3400	5100
BTU Requirements at -30°F	2710	3520	5280

NOTE: For sizing conventional/individual condensing units ADD 8% to BTU LOAD.

Defrost	Per Day	Fail Safe	Termination
Electric	1	60	55°F

Discharge Air Velocity	120-130 FPM
Discharge Air Temp	-8°F

Type I refrigerator, intended for use in an area where the environmental conditions are controlled and maintained such that conditions do not exceed 75 deg F and 55% relative humidity. Kysor/Warren, whose policy is one of continuous improvement, reserves the right to change at any time, specifications, design or prices without incurring obligation. Dual-Jet and Air Defrost are registered trademarks of Kysor/Warren.

The above case model, has case lengths that are NSF approved.



Issue: Sept - 06

