

ISSUE DATE: OCTOBER 2018

FX6SL- F-Series

REACH IN SPECIFICATION SHEET



KYSOR WARREN
epta refrigeration

of Doors

APPLICATIONS

General Case Data	2	3	4	5
Total Display Area (ft ²)	26.10	39.20	52.20	65.30
Cubic Capacity (ft ³)	64.10	95.70	127.10	158.60
Max Shelf Depth (in) [Top/Bottom]	27/27	27/27	27/27	27/27
Weight (lb)	-	-	-	-
Refrigeration Data (All data is per side)				
Evaporator Temperature (°F)				
Frozen Food	-10	-10	-10	-10
Ice Cream	-18	-18	-18	-18
Discharge Air Temperature (°F)				
Frozen Food	-2 to -4	-2 to -4	-2 to -4	-2 to -4
Ice Cream	-8 to -11	-8 to -11	-8 to -11	-8 to -11
Discharge Air Velocity (fpm)	200-300	200-300	200-300	200-300
Fan Speed (rpm)	1800	1800	1800	1800
Parallel Thermal Load (Btuh per side)				
Frozen Food	2007	3010	4014	5017
Ice Cream	2224	3335	4447	5559
Conventional Thermal Load (Btuh per side)				
Frozen Food	2069	3104	4139	5174
Ice Cream	2293	3440	4586	5733
Superheat Setpoint (°F)	6-8	6-8	6-8	6-8
Estimated Refrigerant Charge (lbs)	1.324	2.112	2.922	3.736
Electrical Data (Amps/Watts)				
115V/60Hz, 1 Phase				
Fans	0.58	0.87	0.87	1.16
LED				
Optimax Radiant	0.33	0.48	0.64	0.80
Anti-Sweat Heater Amps (I.C./F.F.)	1.60	2.30	3.00	3.80
Drain Heater Amps				
Electric	0.39	0.65	0.91	1.17
Hot Gas	0.39	0.65	0.78	1.16
208V/60Hz, 1 Phase				
Defrost Heater	6.73	10.10	13.46	16.83



Defrost Data				
	Per Day	Fail Safe (min) ¹	Termination (°F)	Drip Time (min)
Electric	1	45	55	0
Hot Gas	1	30	47	2

1 At ASHRAE conditions. For conditions above 75°F, 55% RH, increase defrost time by 15 min. Type I refrigerator, intended for use in an area where the environmental conditions are controlled and maintained that conditions do not exceed 75°F and 55% relative humidity. Kysor Warren, whose policy is one of continuous improvement, reserves the right to change at any time specifications, designs, or prices without incurring obligation. DOE 2017 Compliant



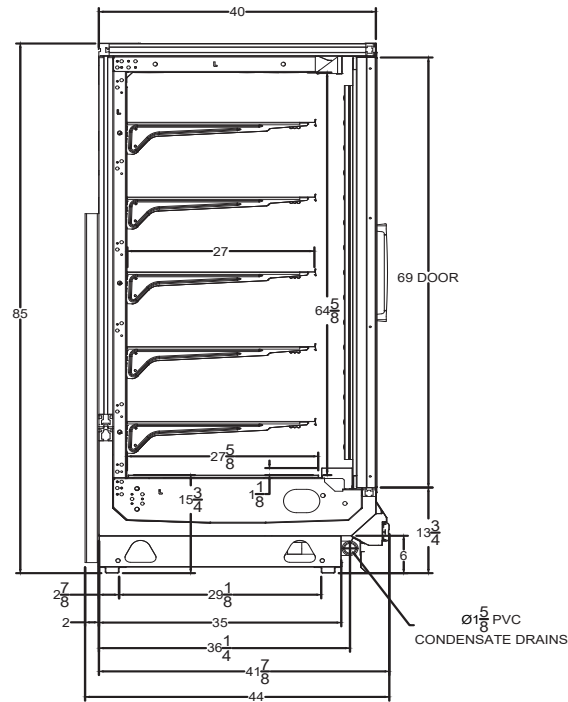
ANSI / NSF 7

The above case model has case lengths that are UL and NSF approved.

FX6SL- F-Series

REACH IN SPECIFICATION SHEET

FX6SL CROSS VIEW



Add 3" thickness for a pair of ends.

FX6SL PLAN VIEW

