

ISSUE DATE: NOVEMBER 2018

# CX1AG - STRATUS

## SINGLE-DECK SPECIFICATION SHEET



**KYSOR WARREN**  
eptarefrigeration

	Case Length (ft)				
	4'	6'	8'	12'	
Total Display Area (ft <sup>2</sup> )	12.03	18.06	24.06	36.12	
Cubic Capacity (ft <sup>3</sup> )	12.41	18.63	24.82	37.26	
Max Shelf Depth (in) [Top/Bottom]	N/A	N/A	N/A	N/A	
Weight (lb)	-	-	-	-	
<b>Thermal Load (General)</b>					
Discharge Air Velocity (fpm)	200-250	200-250	200-250	200-250	
Fan Speed (rpm)	1000	1000	1000	1000	
Discharge Air Temp (°F)	31	31	31	31	
Conventional Thermal Load, Single (Btuh)	1472	2208	2944	4416	
Parallel Thermal Load, Single (Btuh)	1398	2098	2797	4195	
Additional Btuh per ft LED - Canopy / Shelf & Nose	13 / 11	13 / 11	13 / 11	13 / 11	
Additional Btuh per ft T8	19	19	19	19	
<b>Thermal Load (HFC)</b>					
Evaporator Temperature (°F)	26	26	26	26	
Superheat Setpoint (°F)	6 - 8	6 - 8	6 - 8	6 - 8	
Estimated Refrigerant Charge (lbs)	2.214	3.310	4.428	6.619	
<b>Thermal Load (Glycol)</b>					
Supply Temperature (°F)	20	20	20	20	
Flow (GPM)	QTE	QTE	QTE	QTE	
Fluid %	35	35	35	35	
Pressure Drop (PSID)	QTE	QTE	QTE	QTE	
<b>Electrical Data (Amps/Watts)</b>					
115V/60Hz, 1 Phase					
Fans	0.07	0.13	0.13	0.22	
Shelf Lights (Per row)					
	T8	0.24	0.43	0.47	0.71

Defrost Data (off Cycle)			
Defrosts per Day	Failsafe Duration (min) <sup>1</sup>	Termination Temp (°F)	Drip Time (min)
6	22	45	0

<sup>1</sup> At ASHRAE conditions. For conditions above 75°F, 55% RH, increase defrost time by 15 min. Type I refrigerator, intended for use in an area where the environmental conditions are controlled and maintained that conditions do not exceed 75°F and 55% relative humidity. Kysor Warren, whose policy is one of continuous improvement, reserves the right to change at any time specifications, designs, or prices without incurring obligation. DOE 2017 Compliant

### APPLICATIONS

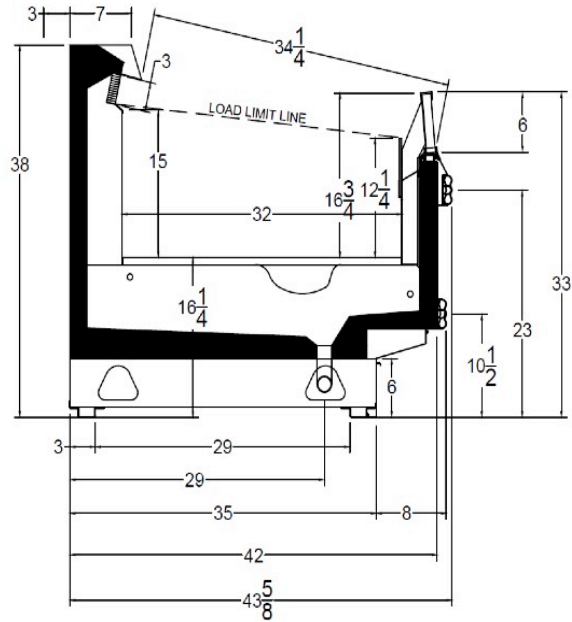


ANSI / NSF 7  
The above case model has case lengths that are UL and NSF approved.

# CX1AG - STRATUS

## MULTI-DECK SPECIFICATION SHEET

### CX1AG CROSS VIEW



Add 3" thickness for a pair of ends.

### CX1AG PLAN VIEW (SINGLE COIL)

