

ISSUE DATE: SEPTEMBER 2018

# CX4LN - STRATUS

## MULTI-DECK SPECIFICATION SHEET



**KYSOR WARREN**  
epta refrigeration

General Case Data	Case Length (ft)			
	4'	6'	8'	12'
Total Display Area (ft <sup>2</sup> )	12.70	19.06	25.40	38.13
Cubic Capacity (ft <sup>3</sup> )	25.89	38.86	51.77	77.72
Max Shelf Depth (in) [Top/Bottom]	16/22	16/22	16/22	16/22
Weight (lb)	-	-	-	-
<b>Refrigeration Data (General)</b>				
Discharge Air Velocity (fpm)	170-220	170-220	170-220	170-220
Fan Speed (rpm)	1200	1200	1200	1200
Discharge Air Temp (°F)	31	31	31	31
Conventional Thermal Load, Single (Btuh) one row of canopy LED	4625	6936	9248	13873
Parallel Thermal Load, Single (Btuh) one row of canopy LED	4449	6672	8896	13345
Additional Btuh per ft LED - Canopy / Shelf & Nose	13 / 11	13 / 11	13 / 11	13 / 11
<b>Refrigeration Data (HFC)</b>				
Evaporator Temperature (°F)	26	26	26	26
Superheat Setpoint (°F)	6 - 8	6 - 8	6 - 8	6 - 8
Estimated Refrigerant Charge (lbs)	1.851	2.768	3.703	5.536
<b>Refrigeration Data (Glycol)</b>				
Supply Temperature (°F)	20	20	20	20
Flow (GPM)	QTE	QTE	QTE	QTE
Fluid %	35	35	35	35
Pressure Drop (PSID)	QTE	QTE	QTE	QTE
<b>Electrical Data (Amps/Watts)</b>				
115V/60Hz, 1 Phase				
Fans	0.11	0.22	0.22	0.43
Canopy Lights (Per row)				
GE LED	0.22	0.33	0.44	0.67
Shelf Lights (Per row)				
GE LED	0.08	0.10	0.15	0.23

APPLICATIONS



Defrost Data (off Cycle)			
Defrosts per Day	Failsafe Duration (min) <sup>1</sup>	Termination Temp (°F)	Drip Time (min)
6	25	47	2

<sup>1</sup> At ASHRAE conditions. For conditions above 75°F, 55% RH, increase defrost time by 15 min. Type I refrigerator, intended for use in an area where the environmental conditions are controlled and maintained that conditions do not exceed 75°F and 55% relative humidity. Kysor Warren, whose policy is one of continuous improvement, reserves the right to change at any time specifications, designs, or prices without incurring obligation. DOE 2017 Compliant

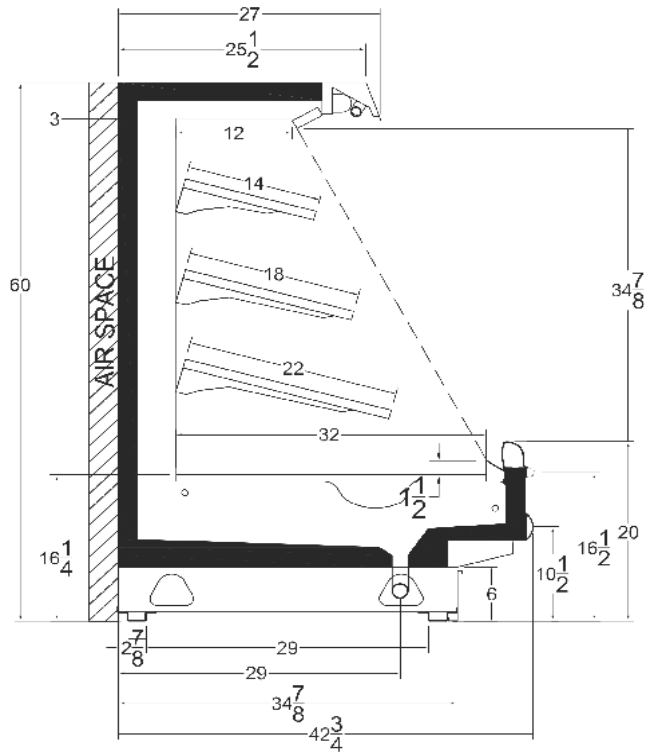


ANSI / NSF 7  
The above case model has case lengths that are UL and NSF approved.

# CX4LN - STRATUS

## MULTI-DECK SPECIFICATION SHEET

**CX4LN CROSS VIEW**



Add 3" thickness for a pair of ends.

**CX4LN PLAN VIEW**

