

ISSUE DATE: MARCH 2022

DN6LD - FULL GLASS DOOR MULTI-DECK SPECIFICATION SHEET



KYSOR WARREN
eptarefrigeration

General Case Data	Case Length (ft)		
	4'	8'	12'
Total Display Area (ft ²)	18.41	36.83	55.29
Cubic Capacity (ft ³)	44.84	89.67	134.62
Max Shelf Depth (in) [Top/Bottom]	18/18	18/18	18/18
Weight (lb)	-	-	-
Refrigeration Data (General)			
Discharge Air Velocity (fpm)	185	185	185
Fan Speed (rpm)	1300	1300	1300
Discharge Air Temp (°F)	36	36	36
Conventional Thermal Load, Single (Btuh)	730	1459	2189
Parallel Thermal Load, Single (Btuh)	644	1288	1932
Refrigeration Data(HFC)			
Evaporator Temperature (°F)	28	28	28
Superheat Setpoint (°F)	6 - 8	6 - 8	6 - 8
Estimated Refrigerant Charge (lbs)	0.489	1.048	1.569
Refrigeration Data (Glycol)			
Supply Temperature (°F)	20	20	20
Flow (GPM)	QTE	QTE	QTE
Fluid %	35	35	35
Pressure Drop (PSID)	QTE	QTE	QTE
Electrical Data (Amps/Watts)			
115V/60Hz, 1 Phase			
Fans	0.15	0.30	0.45

Defrost Data (F ff Cycle)			
Defrosts per Day	Failsafe Duration (min) ¹	Termination Temp (°F)	Drip Time (min)
3	60	47	0

¹ At ASHRAE conditions. For conditions above 75°F, 55% RH, increase defrost time by 15 min. Type I refrigerator, intended for use in an area where the environmental conditions are controlled and maintained that conditions do not exceed 75°F and 55% relative humidity. Kysor Warren, whose policy is one of continuous improvement, reserves the right to change at any time specifications, designs, or prices without incurring obligation. DOE 2017 Compliant

APPLICATIONS



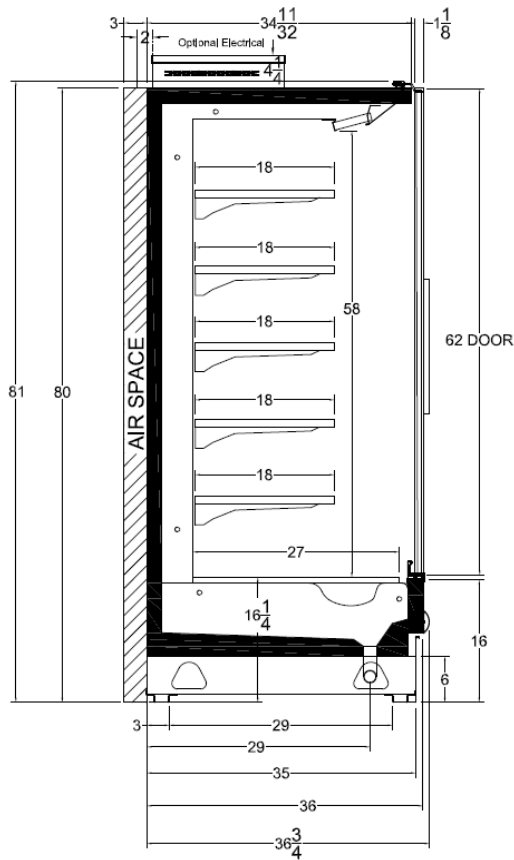
ANSI / NSF 7

The above case model has case lengths that are UL and NSF approved.

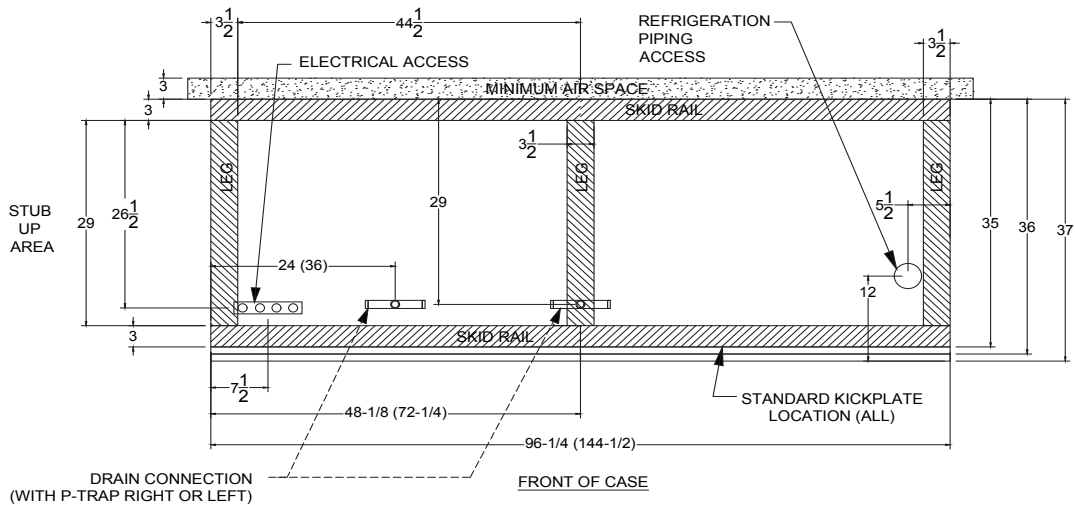
DN6LD - FULL GLASS DOOR

MULTI-DECK SPECIFICATION SHEET

DN6LD CROSS VIEW (SINGLE COIL)



DN6LD PLAN VIEW (SINGLE COIL)



5201 Transport Blvd
 Columbus, GA 31907
 P: 800.866.5596 • F: 706.568.8990



www.kysorwarren.com

