

ISSUE DATE: JULY 2018

# DR6LN - STRATUS

## MULTI-DECK SPECIFICATION SHEET



**KYSOR WARREN**  
epta refrigeration

**Case Length (ft)**

**APPLICATIONS**

General Case Data	8'	12'
Total Display Area (ft <sup>2</sup> )	36.97	55.44
Cubic Capacity (ft <sup>3</sup> )	94.25	141.32
Max Shelf Depth (in) [Top/Bottom]	22/22	22/22
Weight (lb)	-	-
<b>Refrigeration Data (General)</b>		
Discharge Air Velocity (fpm)	300	300
Fan Speed (rpm)	1600	1600
Discharge Air Temp (°F)	31	31
Conventional Thermal Load, Single (Btuh) one row of canopy LED	11812	17719
Parallel Thermal Load, Single (Btuh) one row of canopy LED	10686	16028
Additional Btuh per ft LED - Canopy / Shelf & Nose	13 / 11	13 / 11
<b>Refrigeration Data (HFC)</b>		
Evaporator Temperature (°F)	23	23
Superheat Setpoint (°F)	6 - 8	6 - 8
Estimated Refrigerant Charge (lbs)	4.253	6.379
<b>Refrigeration Data (Glycol)</b>		
Supply Temperature (°F)	20	20
Flow (GPM)	QTE	QTE
Fluid %	35	35
Pressure Drop (PSID)	QTE	QTE
<b>Electrical Data (Amps/Watts)</b>		
115V/60Hz, 1 Phase		
Fans	0.40	0.59
Canopy Lights (Per row)		
GE LED	0.44	0.67
Shelf Lights (Per row)		
GE LED	0.15	0.23

<b>Defrost Data (off Cycle)</b>			
Defrosts per Day	Failsafe Duration (min) <sup>1</sup>	Termination Temp (°F)	Drip Time (min)
6	25	47	0

<sup>1</sup> At ASHRAE conditions. For conditions above 75°F, 55% RH, increase defrost time by 15 min. Type I refrigerator, intended for use in an area where the environmental conditions are controlled and maintained that conditions do not exceed 75°F and 55% relative humidity. Kysor Warren, whose policy is one of continuous improvement, reserves the right to change at any time specifications, designs, or prices without incurring obligation. DOE 2017 Compliant

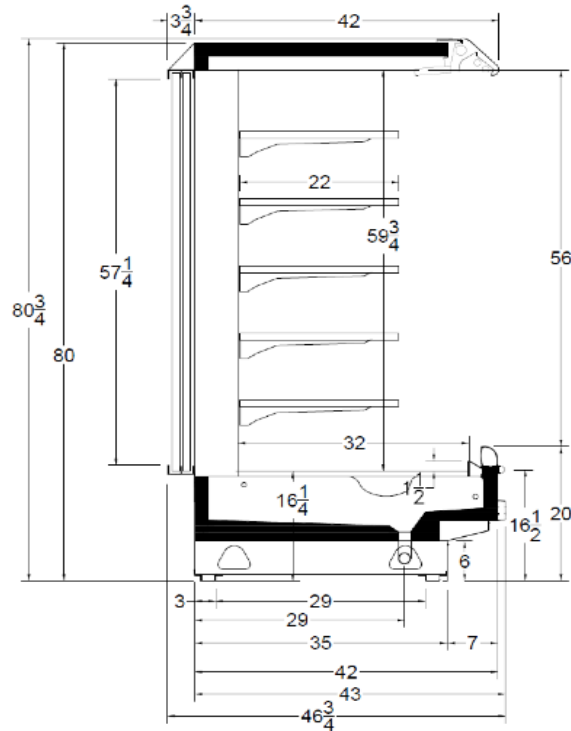


The above case model has case lengths that are UL and NSF approved.

# DR6LN - STRATUS

## MULTI-DECK SPECIFICATION SHEET

### DR6LN CROSS VIEW



Add 3" thickness for a pair of ends.

### DR6LN PLAN VIEW

