

ISSUE DATE: SEPTEMBER 2018

# DX6HN - STRATUS

## MULTI-DECK SPECIFICATION SHEET



**KYSOR WARREN**  
epta refrigeration

General Case Data	Case Length (ft)			
	4'	6'	8'	12'
Total Display Area (ft <sup>2</sup> )	16.75	25.08	33.46	50.17
Cubic Capacity (ft <sup>3</sup> )	48.30	71.60	96.50	143.20
Max Shelf Depth (in) [Top/Bottom]	22/22	22/22	22/22	22/22
Weight (lb)	725	975	1450	1950
Refrigeration Data (General)				
Discharge Air Velocity (fpm)	200-300	200-300	200-300	200-300
Fan Speed (rpm)	2200	2200	2200	2200
Discharge Air Temp (°F)	35	35	35	35
Conventional Thermal Load, Single (Btuh) one row of canopy LED	4835	7252	9669	14504
Parallel Thermal Load, Single (Btuh) one row of canopy LED	4336	6505	8673	6583
Additional Btuh per ft LED - Canopy / Shelf & Nose	13 / 11	13 / 11	13 / 11	13 / 11
Refrigeration Data (HFC)				
Evaporator Temperature (°F)	24	24	24	24
Superheat Setpoint (°F)	6 - 8	6 - 8	6 - 8	6 - 8
Estimated Refrigerant Charge (lbs)	0.982	1.469	2.100	3.143
Refrigeration Data (Glycol)				
Supply Temperature (°F)	20	20	20	20
Flow (GPM)	QTE	QTE	QTE	QTE
Fluid %	35	35	35	35
Pressure Drop (PSID)	QTE	QTE	QTE	QTE
Electrical Data (Amps/Watts)				
115V/60Hz, 1 Phase				
Fans	0.30	0.60	0.60	0.90
Canopy Lights (Per row)				
GE LED	0.19	0.28	0.37	0.56
Shelf Lights (Per row)				
GE LED	0.06	0.09	0.12	0.19

Defrost Data (off Cycle)			
Defrosts per Day	Failsafe Duration (min) <sup>1</sup>	Termination Temp (°F)	Drip Time (min)
6	25	47	0

<sup>1</sup> At ASHRAE conditions. For conditions above 75°F, 55% RH, increase defrost time by 15 min. Type I refrigerator, intended for use in an area where the environmental conditions are controlled and maintained that conditions do not exceed 75°F and 55% relative humidity. Kysor Warren, whose policy is one of continuous improvement, reserves the right to change at any time specifications, designs, or prices without incurring obligation. DOE 2017 Compliant

### APPLICATIONS

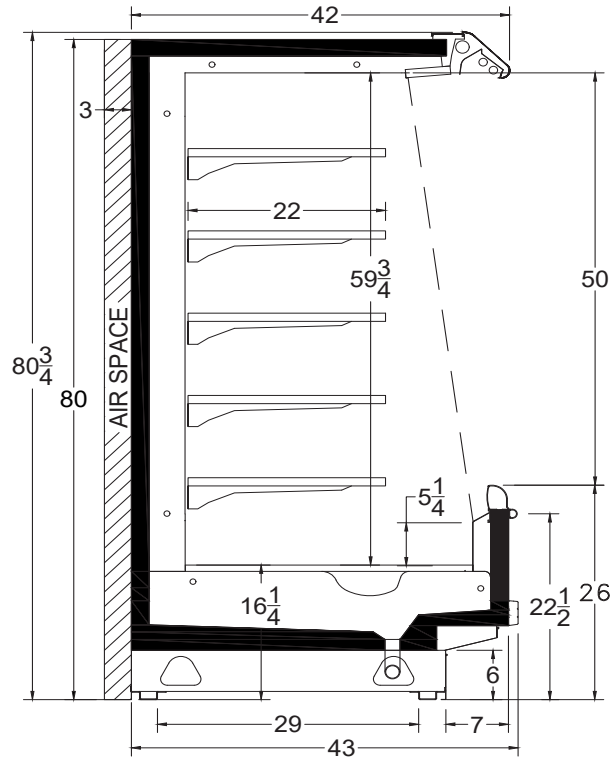


The above case model has case lengths that are UL and NSF approved.

# DX6HN - STRATUS

## MULTI-DECK SPECIFICATION SHEET

### DX6HN CROSS VIEW



Add 3" thickness for a pair of ends.

### DX6HN PLAN VIEW

