

DX6LD- MCU

MULTI-DECK MERCHANDISER



General Case Data	Case Length (ft)			
	4'	6'	8'	12'
Total Display Area (ft ²)	17.56	26.35	35.11	52.67
Cubic Capacity (ft ³)	44.94	67.47	89.88	134.93
Max Shelf Depth (in) [Top/Bottom]	22/22	22/22	22/22	22/22
Weight (lb)	-	-	-	-
Refrigeration Data (All data is per side)				
Evaporator Temperature (°F)	28	28	28	28
Discharge Air Temperature (°F)	36	36	36	36
Discharge Air Velocity (fpm)	185	185	185	140
Fan Speed (rpm)	1300	1300	1300	1300
Refrigerant Type	R-448A	R-448A	R-448A	R-448A
Estimated Refrigerant Charge (lbs)	4.50	5.50	7.50	8.50
Conventional Thermal Load (Btuh)	651	998	1301	1951
Superheat Setpoint (°F)	6-8	6-8	6-8	6-8
Electrical Data (Amps/Qty)				
"Power Supply (Volts/Hertz/Phase)				
Circuit 1 - Modular Condensing Unit (208V)	208V/60HZ/1PH	208V/60HZ/1PH	208V/60HZ/1PH	208V/60HZ/1PH
Circuit 2 - Case Circuit (115V)"	115V/60HZ/1PH	115V/60HZ/1PH	115V/60HZ/1PH	115V/60HZ/1PH
Evaporator Fan Motor Amps (115 V)	0.13	0.26	0.26	0.39
Anti-sweat Heater Amps (115 V)	0.12	0.24	0.24	0.36
Lights Amps (115V)	0.12	0.24	0.24	0.36
Defrost Heater Amps	N / A	N / A	N / A	N / A
Condensate Pump Amps (115 V)	1.00	1.00	1.00	1.00
Condensate Pan Heater Amps	8.33	8.33	8.33	8.33
Compressor RLA	4.00	4.00	5.10	5.10
Compressor LRA	22.00	22.00	26.50	26.50
Condenser Fan Motor Amps	0.18	0.18	0.85	0.85
Refrigeration Cycle Amps	8.92	9.31	9.51	10.17
Defrost Cycle Amps	8.92	9.31	9.51	10.17
Case Circuit Minimum Circuit Ampacity	11.15	11.64	11.89	12.71
Case Circuit Maximum Overcurrent Protection	15	15	15	15
Condensing Unit Minimum Circuit Ampacity	6.18	6.18	8.23	8.23
Condensing Unit Maximum Overcurrent Protection	15	15	15	15

Defrost Data (off Cycle)			
Defrosts per Day	Failsafe Duration (min) ¹	Termination Temp (°F)	Drip Time (min)
3	35	47	0

¹ At ASHRAE conditions. For conditions above 75°F, 55% RH, increase defrost time by 15 min. Type I refrigerator, intended for use in an area where the environmental conditions are controlled and maintained that conditions do not exceed 75°F and 55% relative humidity. Kysor Warren, whose policy is one of continuous improvement, reserves the right to change at any time specifications, designs, or prices without incurring obligation. DOE 2017 Compliant

APPLICATIONS

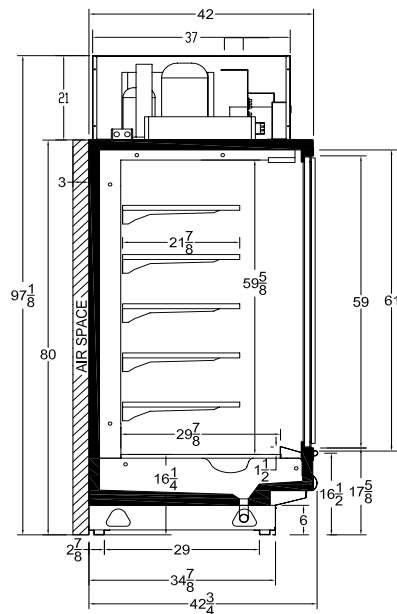


ANSI / NSF 7

DX6LD - MCU

MULTI-DECK MERCHANDISER

DX6LD CROSS VIEW



Add 3" thickness for a pair of ends.

DX6LD PLAN VIEW

