

ISSUE DATE: SEPTEMBER 2018

# DX6UD - STRATUS

## MULTI-DECK SPECIFICATION SHEET



**KYSOR WARREN**  
eptarefrigeration

General Case Data	Case Length (ft)		
	4'	8'	12'
Total Display Area (ft <sup>2</sup> )	19.76	39.48	59.20
Cubic Capacity (ft <sup>3</sup> )	44.94	89.88	134.93
Max Shelf Depth (in) [Top/Bottom]	22/22	22/22	22/22
Weight (lb)	-	-	-
<b>Refrigeration Data (General)</b>			
Discharge Air Velocity (fpm)	185	185	185
Fan Speed (rpm)	1300	1300	1300
Discharge Air Temp (°F)	36	36	36
Conventional Thermal Load, Single (Btuh) unlighted	596	1192	1788
Parallel Thermal Load, Single (Btuh) unlighted	553	1105	1658
<b>Refrigeration Data (HFC)</b>			
Evaporator Temperature (°F)	28	28	28
Superheat Setpoint (°F)	6 - 8	6 - 8	6 - 8
Estimated Refrigerant Charge (lbs)	0.489	1.048	1.569
<b>Refrigeration Data (Glycol)</b>			
Supply Temperature (°F)	20	20	20
Flow (GPM)	QTE	QTE	QTE
Fluid %	35	35	35
Pressure Drop (PSID)	QTE	QTE	QTE
<b>Electrical Data (Amps/Watts)</b>			
115V/60Hz, 1 Phase			
Fans	0.13	0.26	0.39

Defrost Data (off Cycle)			
Defrosts per Day	Failsafe Duration (min) <sup>1</sup>	Termination Temp (°F)	Drip Time (min)
3	35	47	0

<sup>1</sup> At ASHRAE conditions. For conditions above 75°F, 55% RH, increase defrost time by 15 min. Type I refrigerator, intended for use in an area where the environmental conditions are controlled and maintained that conditions do not exceed 75°F and 55% relative humidity. Kysor Warren, whose policy is one of continuous improvement, reserves the right to change at any time specifications, designs, or prices without incurring obligation. DOE 2017 Compliant

### APPLICATIONS

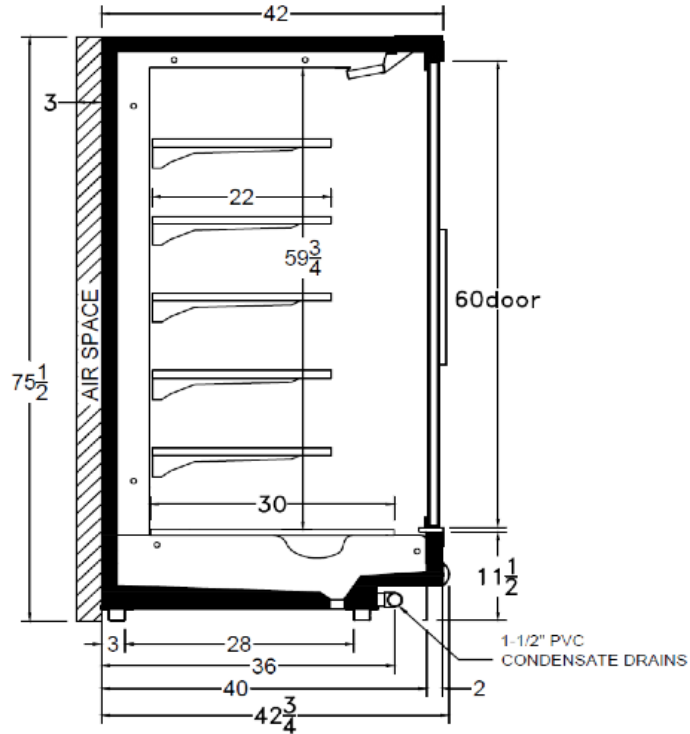


The above case model has case lengths that are UL and NSF approved.

# DX6UD - STRATUS

## MULTI-DECK SPECIFICATION SHEET

### DX6UD CROSS VIEW



Add 3" thickness for a pair of ends.

### DX6UD PLAN VIEW (SINGLE COIL)

