

DX6UD - STRATUS

MULTI-DECK SPECIFICATION SHEET



General Case Data	Case Length (ft)			APPLICATIONS
	4'	8'	12'	
Total Display Area (ft ²)	19.76	39.48	59.20	
Cubic Capacity (ft ³)	44.94	89.88	134.93	
Max Shelf Depth (in) [Top/Bottom]	22/22	22/22	22/22	
Weight (lb)	-	-	-	
Refrigeration Data (General)				
Discharge Air Velocity (fpm)	185	185	185	
Fan Speed (rpm)	1300	1300	1300	
Discharge Air Temp (°F)	36	36	36	
Conventional Thermal Load, Single (Btuh) unlighted	596	1192	1788	
Parallel Thermal Load, Single (Btuh) unlighted	553	1105	1658	
Refrigeration Data (HFC)				
Evaporator Temperature (°F)	28	28	28	
Superheat Setpoint (°F)	6 - 8	6 - 8	6 - 8	
Estimated Refrigerant Charge (lbs)	0.489	1.048	1.569	
Refrigeration Data (Glycol)				
Supply Temperature (°F)	20	20	20	
Flow (GPM)	QTE	QTE	QTE	
Fluid %	35	35	35	
Pressure Drop (PSID)	QTE	QTE	QTE	
Electrical Data (Amps/Watts)				
115V/60Hz, 1 Phase				
Fans	0.13	0.26	0.39	
Defrost Data (off Cycle)				
Defrosts per Day	Failsafe Duration (min) ¹	Termination Temp (°F)	Drip Time (min)	
3	35	47	0	

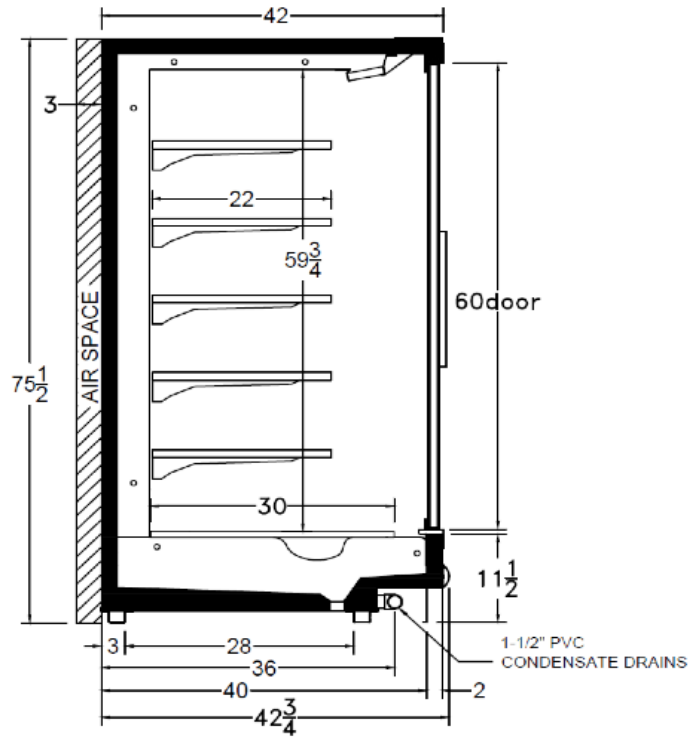
¹ At ASHRAE conditions. For conditions above 75°F, 55% RH, increase defrost time by 15 min. Type I refrigerator, intended for use in an area where the environmental conditions are controlled and maintained that conditions do not exceed 75°F and 55% relative humidity. Heatcraft Worldwide Refrigeration, whose policy is one of continuous improvement, reserves the right to change at any time specifications, designs, or prices without incurring obligation. DOE 2017 Compliant

The above case model has case lengths that are UL and NSF approved.

DX6UD - STRATUS

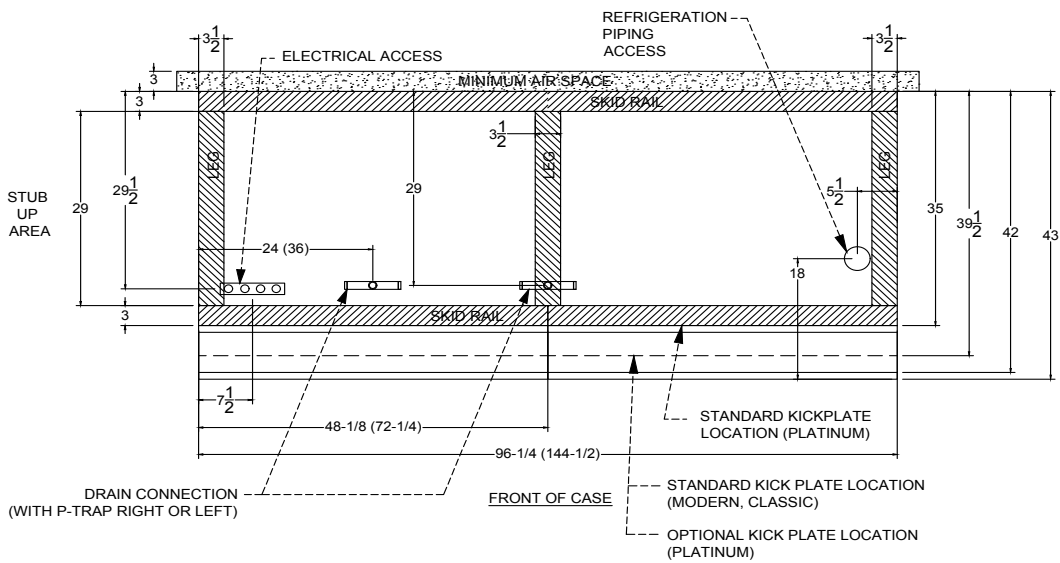
MULTI-DECK SPECIFICATION SHEET

DX6UD CROSS VIEW



Add 3" thickness for a pair of ends.

DX6UD PLAN VIEW (SINGLE COIL)



5201 Transport Blvd
 Columbus, GA 31907
 P: 800.866.5596 • F: 706.568.8990



www.kysorwarren.com

