

ISSUE DATE: SEPTEMBER 2018

DX6UN - STRATUS

MULTI-DECK SPECIFICATION SHEET



KYSOR WARREN
epta refrigeration

General Case Data	Case Length (ft)			
	4'	6'	8'	12'
Total Display Area (ft ²)	19.76	29.60	39.48	59.20
Cubic Capacity (ft ³)	48.30	71.60	96.50	143.20
Max Shelf Depth (in) [Top/Bottom]	22/22	22/22	22/22	22/22
Weight (lb)	-	-	-	-
Refrigeration Data (General)				
Discharge Air Velocity (fpm)	200-300	200-300	200-300	200-300
Fan Speed (rpm)	2200	2200	2200	2200
Discharge Air Temp (°F)	33	33	33	33
Conventional Thermal Load, Single (Btuh) one row of canopy LED	6234	9351	12469	18703
Parallel Thermal Load, Single (Btuh) one row of canopy LED	5590	8385	11181	16771
Additional Btuh per ft LED - Canopy / Shelf & Nose	13 / 11	13 / 11	13 / 11	13 / 11
Refrigeration Data (HFC)				
Evaporator Temperature (°F)	24	24	24	24
Superheat Setpoint (°F)	6 - 8	6 - 8	6 - 8	6 - 8
Estimated Refrigerant Charge (lbs)	0.982	1.469	2.100	3.143
Refrigeration Data (Glycol)				
Supply Temperature (°F)	20	20	20	20
Flow (GPM)	QTE	QTE	QTE	QTE
Fluid %	35	35	35	35
Pressure Drop (PSID)	QTE	QTE	QTE	QTE
Electrical Data (Amps/Watts)				
115V/60Hz, 1 Phase				
Fans	0.30	0.60	0.60	0.90
Canopy Lights (Per row)				
GE LED	0.19	0.28	0.37	0.56
Shelf Lights (Per row)				
GE LED	0.06	0.09	0.12	0.19

Defrost Data (off Cycle)			
Defrosts per Day	Failsafe Duration (min) ¹	Termination Temp (°F)	Drip Time (min)
6	25	47	0

¹ At ASHRAE conditions. For conditions above 75°F, 55% RH, increase defrost time by 15 min. Type I refrigerator, intended for use in an area where the environmental conditions are controlled and maintained that conditions do not exceed 75°F and 55% relative humidity. Kysor Warren, whose policy is one of continuous improvement, reserves the right to change at any time specifications, designs, or prices without incurring obligation. DOE 2017 Compliant

APPLICATIONS



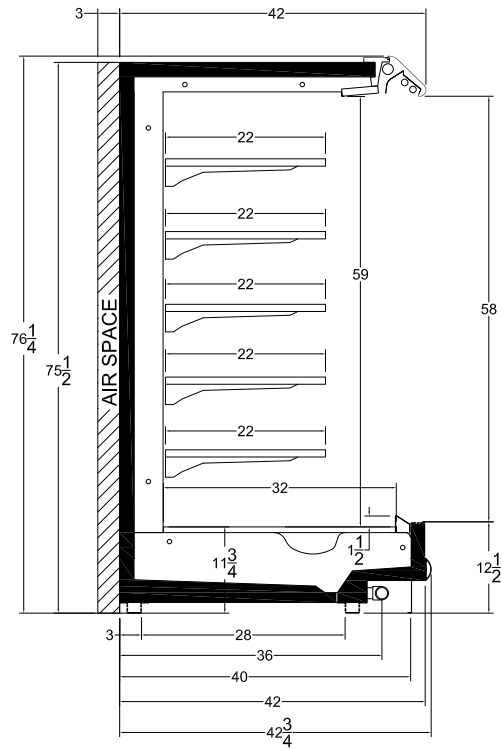
ANSI / NSF 7

The above case model has case lengths that are UL and NSF approved.

DX6UN - STRATUS

MULTI-DECK SPECIFICATION SHEET

DX6UN CROSS VIEW



Add 3" thickness for a pair of ends.

DX6UN PLAN VIEW

