

ISSUE DATE: OCTOBER 2018

FN7SN- F-Series

REACH IN SPECIFICATION SHEET



KYSOR WARREN
epta refrigeration

General Case Data	# of Doors			
	2	3	4	5
Total Display Area (ft ²)	27.50	41.40	55.30	68.50
Cubic Capacity (ft ³)	52.50	78.30	104.10	129.90
Max Shelf Depth (in) [Top/Bottom]	22/22	22/22	22/22	22/22
Weight (lb)	-	-	-	-
Refrigeration Data (All data is per side)				
Evaporator Temperature (°F)	28	28	28	28
Discharge Air Temperature (°F)	36	36	36	36
Discharge Air Velocity (fpm)	200-300	200-300	200-300	200-300
Fan Speed (rpm)	1800	1800	1800	1800
Parallel Thermal Load (Btuh per side)	1236	1643	2079	2414
Conventional Thermal Load (Btuh per side)	1270	1687	2135	2478
Superheat Setpoint (°F)	6-8	6-8	6-8	6-8
Estimated Refrigerant Charge (lbs)	1.324	2.112	2.922	3.736
Electrical Data (Amps/Qty)				
115V/60Hz, 1 Phase				
Fans	0.58	0.87	0.87	1.16
LED				
Optimax Radiant	0.33	0.48	0.64	0.80
Anti-Sweat Heater Amps (I.C./F.F.)	0.47	0.70	0.92	1.16
208V/60Hz, 1 Phase				
Defrost Heater	NA	NA	NA	NA

Defrost Data (Off Cycle)			
Per Day	Fail Safe (min) ¹	Termination (°F)	Drip Time (min)
1	40	45	0

¹ At ASHRAE conditions. For conditions above 75°F, 55% RH, increase defrost time by 15 min. Type I refrigerator, intended for use in an area where the environmental conditions are controlled and maintained that conditions do not exceed 75°F and 55% relative humidity. Kysor Warren, whose policy is one of continuous improvement, reserves the right to change at any time specifications, designs, or prices without incurring obligation. DOE 2017 Compliant

APPLICATIONS



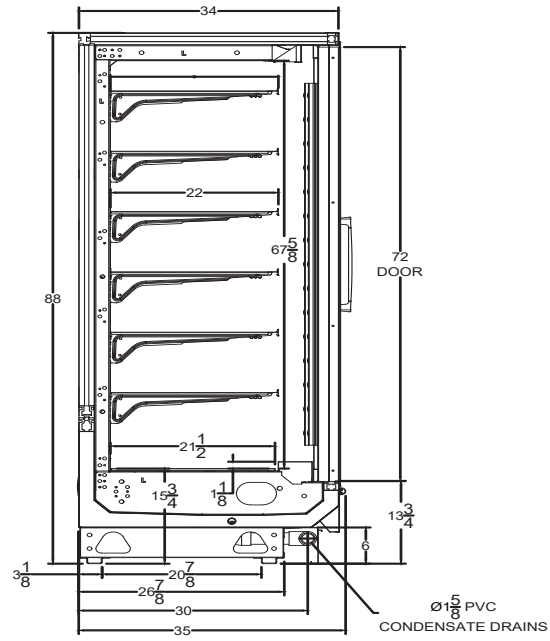
ANSI / NSF 7

The above case model has case lengths that are UL and NSF approved.

FN7SN- F-Series

REACH IN SPECIFICATION SHEET

FN7SN CROSS VIEW



Add 3" thickness for a pair of ends.

FN7SN PLAN VIEW

