



# Stratus Multi-Deck Display Case

with standard EC motor technology

MX1LC-SC Model

Meat



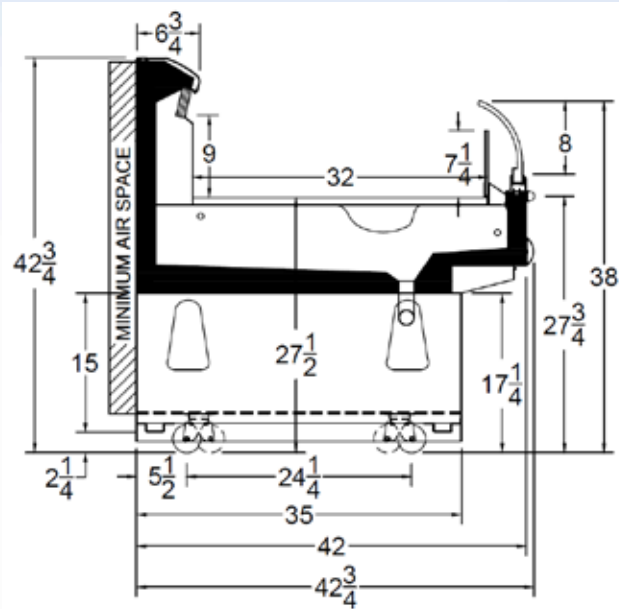
Flexibility. Savings. Efficiency.

## KYSOR/WARREN®

5201 Transport Blvd. • Columbus, GA 31907  
Toll-Free: 800.866.5596 • Phone: 706.568.1514  
heatcraftrpd.com



Merchandising Applications



Add 3 1/2" thickness for a pair of ends.

## STRATUS MULTI DECK—MX1LC-SC

Our STRATUS case line has been designed with a focus on things most important to your bottom line. Enhanced merchandise visibility, high energy efficiency, and merchandising flexibility have all merged in an attractive, modular design. Custom styles fit seamlessly into your floor plan and an eco-friendly design protects the environment while saving energy costs. The MX1LC-SC self-contained case is available in medium temperature.

### STANDARD FEATURES

- Self-contained case for easy set-up and merchandising efficiency
- EC motor standard for greater energy efficiency
- Sustainable modular coil
- Flip-down electrical raceway for ease of service
- Thermoformed, leak-resistant tub
- Recessed shelf plug
- Refrigeration-grade ABS drain pan and fan venturi
- Modular design for easy installation

### CASE DESCRIPTION

- Self-contained: Meat, standard depth, single-deck, low front, curved glass
- Perfect for merchandising medium temperature items such as cheese, deli, meat, prepared meals, and produce
- Accommodates a single level of product display shelving for greater merchandise visibility that grabs shoppers' attention

### OPTIONS AND ACCESSORIES

- LED lights
- Night shields
- Recycled/recyclable bumpers
- Disposable shipping casters
- Multiple trim packages
- Full glass ends, as well as standard end options
- Shelf, canopy, and nose light options
- Multiple color and finish choices (internal and external)
- Refrigerant piping access: top, bottom, or rear

### SPECIFICATIONS

Capacities		
Length (FT)	Facing Area (FT <sup>2</sup> )	Cubic Capacity (FT <sup>3</sup> )
4	7.37	10.72
6	11.06	16.08

Type I refrigerator, intended for use in an area where the environmental conditions are controlled and maintained such that conditions do not exceed 75° F and 55% relative humidity.

Revision Date: 3/29/2013



The above case model has case lengths that are UL and NSF approved.

Heatcraft Worldwide Refrigeration, whose policy is one of continuous improvement, reserves the right to change at any time specifications, design, or prices, without incurring obligation.



A Proud Partner of:

