

ISSUE DATE: JUNE 2023

KWN5F- MCU

REACH-IN MERCHANDISER



KYSOR WARREN
epta refrigeration

General Case Data	# of Doors			
	2	3	4	5
Total Display Area (ft ²)	26.21	39.32	52.43	65.54
Cubic Capacity (ft ³)	57.16	85.74	114.33	142.91
Max Shelf Depth (in) [Top/Bottom]	24/24	24/24	24/24	24/24
Weight (lb)	-	-	-	-
Refrigeration Data (All data is per side)				
Evaporator Temperature (°F)				
Frozen Food	-10	-10	-10	-10
Ice Cream	-19	-19	-19	-19
Discharge Air Temperature (°F)				
Frozen Food	-2 to -3	-2 to -3	-2 to -3	-2 to -3
Ice Cream	-12 to -13	-12 to -13	-12 to -13	-12 to -13
Discharge Air Velocity (fpm)	300-350	300-350	300-350	300-350
Fan Speed (rpm)	2100	2100	2100	2100
Conventional Thermal Load (Btuh)				
Frozen Food	1821	2731	3642	4552
Ice Cream	1939	2909	3878	4848
Refrigerant Type	R-448A	R-448A	R-448A	R-448A
Refrigerant Charge (lbs)	3.67	5.01	9.05	9.49
Superheat Setpoint (°F)	6-8	6-8	6-8	6-8
Electrical Data (Amps/Qty)				
Power Supply (Volts/Hertz/Phase) Circuit 1 - Case Circuit (115 V)	115V/60HZ/1PH	115V/60HZ/1PH	115V/60HZ/1PH	115V/60HZ/1PH
Circuit 2 – Modular Condensing Unit (208 V)	208V/60HZ/1PH	208V/60HZ/1PH	208V/60HZ/1PH	208V/60HZ/1PH
Evaporator Fan Motor Amps (115 V)	0.76	1.14	1.52	1.90
Anti-sweat Heater Amps (115 V)	1.53	2.28	3.02	3.76
Lights Amps (115 V)	0.22	0.32	0.42	0.52
Drain Heater Amps	-	-	-	-
Defrost Heater Amps (208 V)	7.63	12.69	17.75	22.82
Condensate Pump Amps (115 V)	0.70	0.70	0.70	0.70
Evaporator Pan Heater Amps (115 V)	8.33	8.33	8.33	8.33
Compressor RLA	6.10	7.40	13.90	13.90
Compressor LRA	42.30	40.30	75.00	75.00
Condenser Fan Amps	1.10	1.10	1.10	1.10
Refrigeration Cycle Amps	11.54	12.77	13.99	15.21
Defrost Cycle Amps	7.63	12.69	17.75	22.82
Case Circuit Minimum Circuit Ampacity (Circuit 1)	14.43	15.96	17.49	19.01
Case Circuit Maximum Overcurrent Protection (Circuit 1)	15	20	20	20
Condensing Unit Minimum Circuit Ampacity (Circuit 2)	9.54	15.86	22.19	28.53
Condensing Unit Maximum Overcurrent Protection (Circuit 2)	15	20	30	30
Condensing Unit Total Heat of Rejection (Btuh)				
Frozen Food	3246	4656	6092	7615
Ice Cream	3766	5387	6913	8642
Defrost Data				
	Per Day	Fail Safe (min) ¹	Termination (°F)	Drip Time (min)
	1	25	47	NA

APPLICATIONS



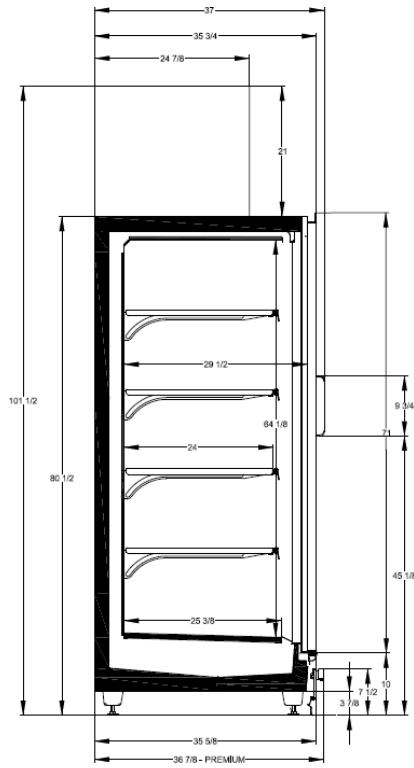
The above case model has case lengths that are UL and NSF approved.

¹ At ASHRAE conditions. For conditions above 75°F, 55% RH, increase defrost time by 15 min. Type I refrigerator, intended for use in an area where the environmental conditions are controlled and maintained that conditions do not exceed 75°F and 55% relative humidity. Kysor Warren, whose policy is one of continuous improvement, reserves the right to change at any time specifications, designs, or prices without incurring obligation. DOE 2017 Compliant

KWN5F- MCU

REACH-IN MERCHANDISER

KWN5F CROSS VIEW



Add 2" thickness for each end.

KWN5F PLAN VIEW

