



ISSUE DATE: SEPTEMBER 2022

KWN5N- Standard Case

REACH IN SPECIFICATION SHEET



KYSOR WARREN
eptarefrigeration

General Case Data	# of Doors				APPLICATIONS
	2	3	4	5	
Total Display Area (ft ²)	26.21	39.32	52.43	65.54	
Cubic Capacity (ft ³)	57.16	85.74	114.33	142.91	
Max Shelf Depth (in) [Top/Bottom]	24/24	24/24	24/24	24/24	
Weight (lb)	789	1184	1579	1973	
Refrigeration Data (All data is per case)					
Evaporator Temperature (°F)	27	27	27	27	
Discharge Air Temperature (°F)	38	38	38	38	
Discharge Air Velocity (fpm)	300-350	300-350	300-350	300-350	
Fan Speed (rpm)	2100	2100	2100	2100	
Parallel Thermal Load	924	1386	1848	2310	
Conventional Thermal Load	964	1446	1928	2410	
Superheat Setpoint (°F)	6-8	6-8	6-8	6-8	
Estimated Refrigerant Charge (lbs)	1.33	2.21	3.09	3.97	
Electrical Data (Amps/Qty)					
115V/60Hz, 1 Phase					
Fans	0.76	1.14	1.52	1.90	
LED					
GE ELV2	0.22	0.32	0.42	0.52	
Anti-Sweat Heater Amps (I.C./F.F.)	0.36	0.53	0.70	0.87	
208V/60Hz, 1 Phase					
Defrost Heater	NA	NA	NA	NA	

Defrost Data (Off Cycle)			
Per Day	Fail Safe (min) ¹	Termination (°F)	Drip Time (min)
1	60	NA	NA

¹ At ASHRAE conditions. For conditions above 75°F, 55% RH, increase defrost time by 15 min. Type I refrigerator, intended for use in an area where the environmental conditions are controlled and maintained that conditions do not exceed 75°F and 55% relative humidity. Kysor Warren, whose policy is one of continuous improvement, reserves the right to change at any time specifications, designs, or prices without incurring obligation. DOE 2017 Compliant

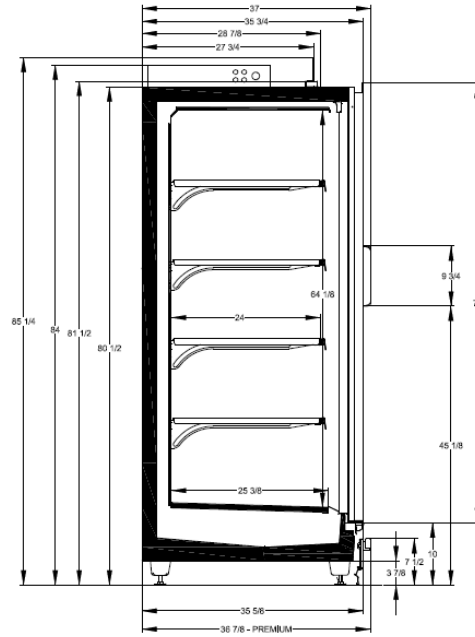


The above case model has case lengths that are UL and NSF approved.

KWN5N- Standard Case

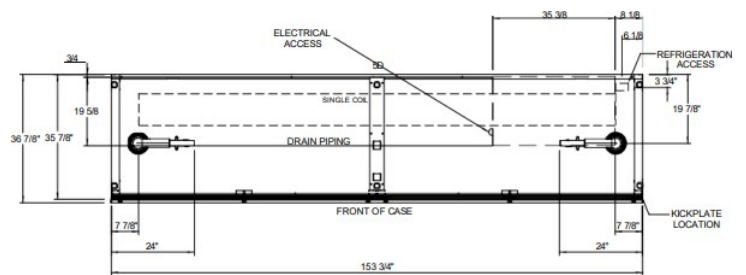
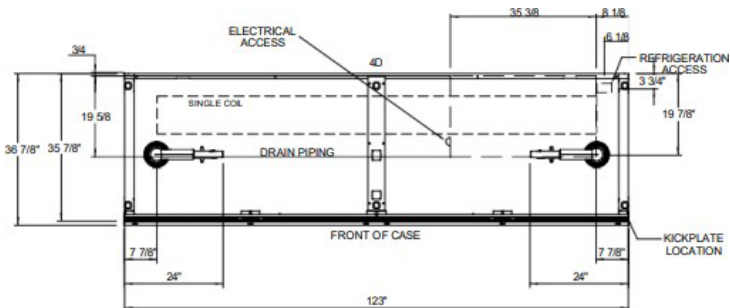
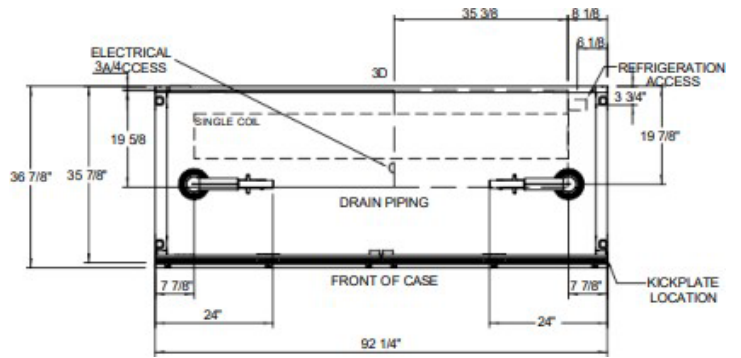
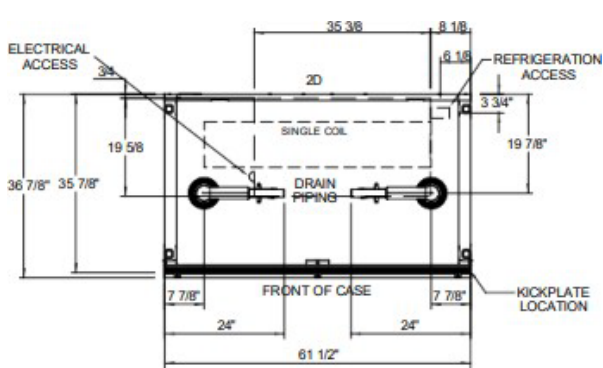
REACH IN SPECIFICATION SHEET

KWN5N CROSS VIEW



Add 3" thickness for a pair of ends.

KWN5N PLAN VIEW





ISSUE DATE: SEPTEMBER 2022

KWN5N- End Case

REACH IN SPECIFICATION SHEET



KYSOR WARREN
eptarefrigeration

		# of Doors			APPLICATIONS
General Case Data		3			 
Total Display Area (ft ²)		31.35			
Cubic Capacity (ft ³)		70.41			
Max Shelf Depth (in) [Top/Bottom]		24/24			
Weight (lb)		972			
Refrigeration Data					
Evaporator Temperature (°F)		27			
Discharge Air Temperature (°F)		38			
Discharge Air Velocity (fpm)		300-350			
Fan Speed (rpm)		2100			
Parallel Thermal Load		1155			
Conventional Thermal Load		1205			
Superheat Setpoint (°F)		6-8			
Estimated Refrigerant Charge (lbs)		1.74			
Electrical Data (Amps/Qty)					
115V/60Hz, 1 Phase					
Fans		1.14			
LED					
GE ELV2		0.32			
Anti-Sweat Heater Amps (I.C./F.F.)		0.50			
208V/60Hz, 1 Phase					
Defrost Heater		NA			

Defrost Data (Off Cycle)			
Per Day	Fail Safe (min) ¹	Termination (°F)	Drip Time (min)
1	60	NA	NA

¹ At ASHRAE conditions. For conditions above 75°F, 55% RH, increase defrost time by 15 min. Type I refrigerator, intended for use in an area where the environmental conditions are controlled and maintained that conditions do not exceed 75°F and 55% relative humidity. Kysor Warren, whose policy is one of continuous improvement, reserves the right to change at any time specifications, designs, or prices without incurring obligation. DOE 2017 Compliant

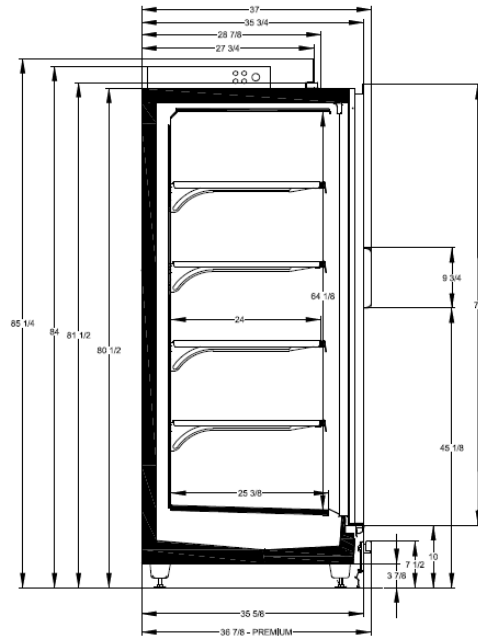


ANSI / NSF 7
The above case model has case lengths that are UL and NSF approved.

KWN5N- End Case

REACH IN SPECIFICATION SHEET

KWN5N CROSS VIEW



Add 3" thickness for a pair of ends.

KWN5N End Case PLAN VIEW

