



ISSUE DATE: SEPTEMBER 2022

KWN6N- Standard Case

REACH IN SPECIFICATION SHEET



KYSOR WARREN
eptarefrigeration

General Case Data	# of Doors				APPLICATIONS
	2	3	4	5	
Total Display Area (ft ²)	27.04	40.56	54.08	67.60	
Cubic Capacity (ft ³)	58.96	88.44	117.92	147.40	
Max Shelf Depth (in) [Top/Bottom]	24/24	24/24	24/24	24/24	
Weight (lb)	882	1257	1609	2094	
Refrigeration Data					
Evaporator Temperature (°F)	27	27	27	27	
Discharge Air Temperature (°F)	38	38	38	38	
Discharge Air Velocity (fpm)	300-350	300-350	300-350	300-350	
Fan Speed (rpm)	2100	2100	2100	2100	
Parallel Thermal Load	953	1429	1905	2381	
Conventional Thermal Load	994	1491	1988	2485	
Superheat Setpoint (°F)	6-8	6-8	6-8	6-8	
Estimated Refrigerant Charge (lbs)	1.33	2.21	3.09	3.97	
Electrical Data (Amps/Qty)					
115V/60Hz, 1 Phase					
Fans	0.76	1.14	1.52	1.90	
LED					
GE ELV2	0.22	0.32	0.42	0.52	
Anti-Sweat Heater Amps (I.C./F.F.)	0.36	0.54	0.71	0.88	
208V/60Hz, 1 Phase					
Defrost Heater	NA	NA	NA	NA	

Defrost Data (Off Cycle)			
Per Day	Fail Safe (min) ¹	Termination (°F)	Drip Time (min)
1	60	NA	NA

¹ At ASHRAE conditions. For conditions above 75°F, 55% RH, increase defrost time by 15 min. Type I refrigerator, intended for use in an area where the environmental conditions are controlled and maintained that conditions do not exceed 75°F and 55% relative humidity. Kysor Warren, whose policy is one of continuous improvement, reserves the right to change at any time specifications, designs, or prices without incurring obligation. DOE 2017 Compliant



The above case model has case lengths that are UL and NSF approved.



ISSUE DATE: JULY 2022

KWN6N- End Case

REACH IN SPECIFICATION SHEET



KYSOR WARREN
eptarefrigeration

		# of Doors		APPLICATIONS
General Case Data		3		 
Total Display Area (ft ²)		32.33		
Cubic Capacity (ft ³)		72.62		
Max Shelf Depth (in) [Top/Bottom]		24/24		
Weight (lb)		1004		
Refrigeration Data				
Evaporator Temperature (°F)		27		
Discharge Air Temperature (°F)		38		
Discharge Air Velocity (fpm)		300-350		
Fan Speed (rpm)		2100		
Parallel Thermal Load		1191		
Conventional Thermal Load		1243		
Superheat Setpoint (°F)		6-8		
Estimated Refrigerant Charge (lbs)		1.74		
Electrical Data (Amps/Qty)				
115V/60Hz, 1 Phase				
Fans		1.14		
LED				
GE ELV2		0.32		
Anti-Sweat Heater Amps (I.C./F.F.)		0.50		
208V/60Hz, 1 Phase				
Defrost Heater		NA		

Defrost Data (Off Cycle)			
Per Day	Fail Safe (min) ¹	Termination (°F)	Drip Time (min)
1	60	NA	NA

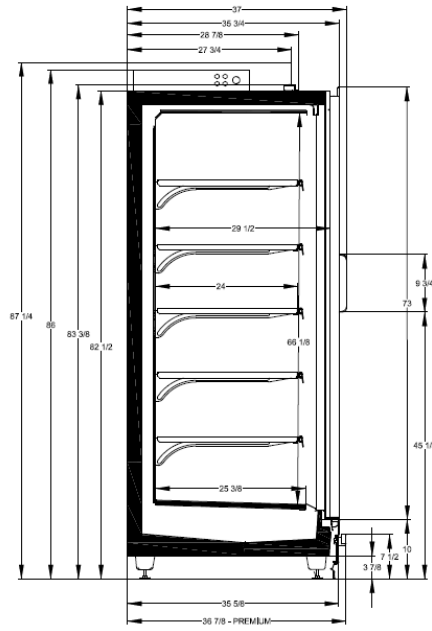
¹ At ASHRAE conditions. For conditions above 75°F, 55% RH, increase defrost time by 15 min. Type I refrigerator, intended for use in an area where the environmental conditions are controlled and maintained that conditions do not exceed 75°F and 55% relative humidity. Kysor Warren, whose policy is one of continuous improvement, reserves the right to change at any time specifications, designs, or prices without incurring obligation. DOE 2017 Compliant



ANSI / NSF 7
The above case model has case lengths that are UL and NSF approved.

KWN6N- End Case
REACH IN SPECIFICATION SHEET

KWN6N CROSS VIEW



Add 3" thickness for a pair of ends.

KWN6N PLAN VIEW

