



ISSUE DATE: AUGUST 2023

KWN7F- Standard Case

REACH IN SPECIFICATION SHEET



KYSOR WARREN
eptarefrigeration

	# of Doors				APPLICATIONS
General Case Data	2	3	4	5	 
Total Display Area (ft ²)	29.46	44.19	58.92	73.65	
Cubic Capacity (ft ³)	64.24	96.36	128.48	160.60	
Max Shelf Depth (in) [Top/Bottom]	24/24	24/24	24/24	24/24	
Weight (lb)	970	1378	1775	2304	
Refrigeration Data					
Evaporator Temperature (°F)					
Frozen Food	-10	-10	-10	-10	
Ice Cream	-19	-19	-19	-19	
Discharge Air Temperature (°F)					
Frozen Food	-2 to -3	-2 to -3	-2 to -3	-2 to -3	
Ice Cream	-12 to -13	-12 to -13	-12 to -13	-12 to -13	
Discharge Air Velocity (fpm)	300-350	300-350	300-350	300-350	
Fan Speed (rpm)	2100	2100	2100	2100	
Parallel Thermal Load (Btuh)					
Frozen Food	1963	2945	3927	4908	
Ice Cream	2091	3136	4181	5227	
Conventional Thermal Load (Btuh)					
Frozen Food	1998	2997	3996	4995	
Ice Cream	2128	3191	4255	5319	
Superheat Setpoint (°F)	6-8	6-8	6-8	6-8	
Estimated Refrigerant Charge (lbs)	1.335	2.214	3.094	3.974	
Electrical Data (Amps/Watts)					
115V/60Hz, 1 Phase					
Fans	0.76	1.14	1.52	1.90	
LED					
GE ELV2	0.26	0.36	0.46	0.56	
Anti-Sweat Heater Amps (I.C./F.F.)	1.65	2.46	3.26	4.06	
208V/60Hz, 1 Phase					
Defrost Heater	7.63	12.69	17.75	22.82	
Defrost Data					
Per Day	Fail Safe (min) ¹	Termination (°F)	Drip Time (min)		
1	45	47	5		

1 At ASHRAE conditions. For conditions above 75°F, 55% RH, increase defrost time by 15 min. Type I refrigerator, intended for use in an area where the environmental conditions are controlled and maintained that conditions do not exceed 75°F and 55% relative humidity. Kysor Warren, whose policy is one of continuous improvement, reserves the right to change at any time specifications, designs, or prices without incurring obligation. DOE 2017 Compliant

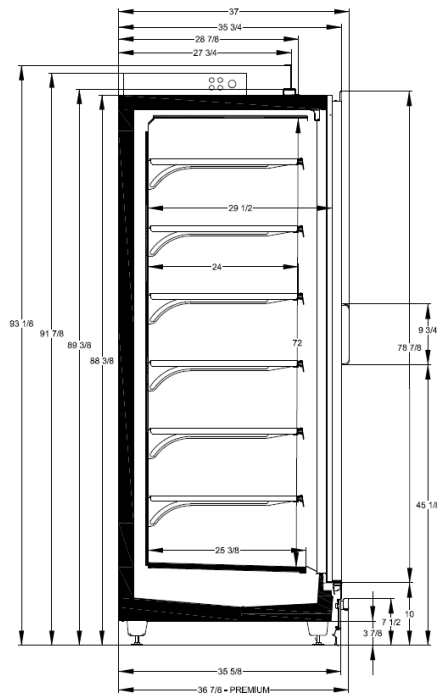


The above case model has case lengths that are UL and NSF approved.

KWN7F- Standard Case

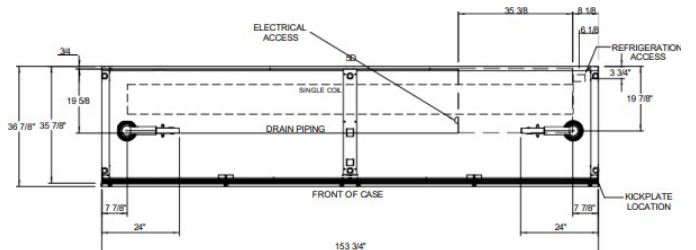
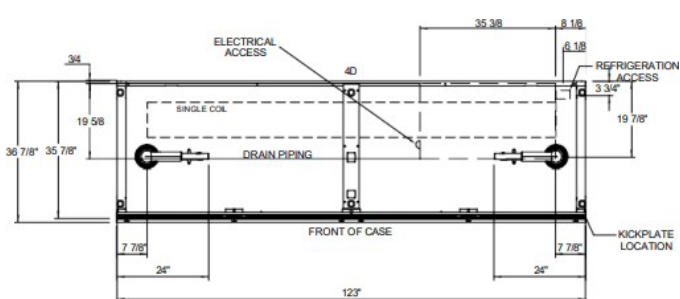
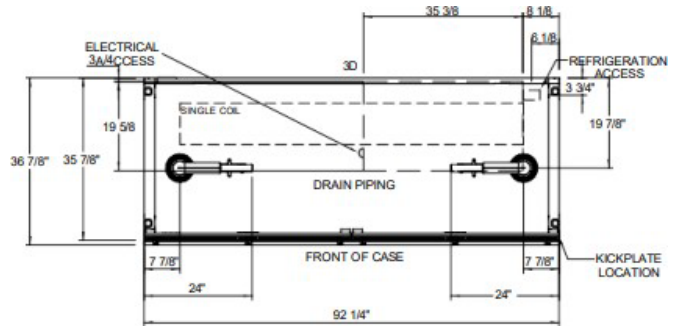
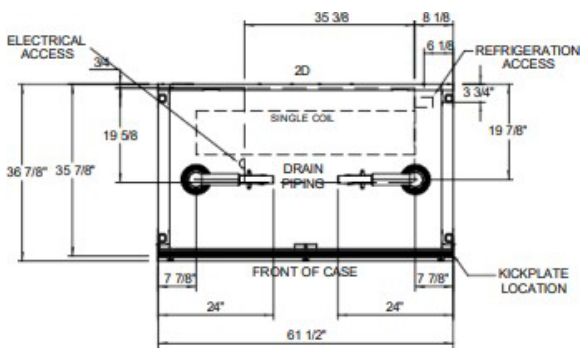
REACH IN SPECIFICATION SHEET

KWN7F CROSS VIEW



Add 2" thickness for each end.

KWN7F PLAN VIEW





ISSUE DATE: AUGUST 2023

KWN7F- End Case

REACH IN SPECIFICATION SHEET



KYSOR WARREN
eptarefrigeration

		# of Doors		APPLICATIONS
General Case Data		3		 
Total Display Area (ft ²)		35.23		
Cubic Capacity (ft ³)		79.13		
Max Shelf Depth (in) [Top/Bottom]		24/24		
Weight (lb)		1059		
Refrigeration Data				
Evaporator Temperature (°F)				
Frozen Food		-10		
Ice Cream		-19		
Discharge Air Temperature (°F)				
Frozen Food		-2 to -3		
Ice Cream		-12 to -13		
Discharge Air Velocity (fpm)		300-350		
Fan Speed (rpm)		2100		
Parallel Thermal Load (Btuh)				
Frozen Food		2454		
Ice Cream		2613		
Conventional Thermal Load (Btuh)				
Frozen Food		2498		
Ice Cream		2660		
Superheat Setpoint (°F)		6-8		
Estimated Refrigerant Charge (lbs)		1.741		
Electrical Data (Amps/Watts)				
115V/60Hz, 1 Phase				
Fans		1.14		
LED				
GE ELV2		0.36		
Anti-Sweat Heater Amps (I.C./F.F.)		2.32		
208V/60Hz, 1 Phase				
Defrost Heater		9.97		
Defrost Data				
Per Day	Fail Safe (min) ¹	Termination (°F)	Drip Time (min)	
1	45	47	5	

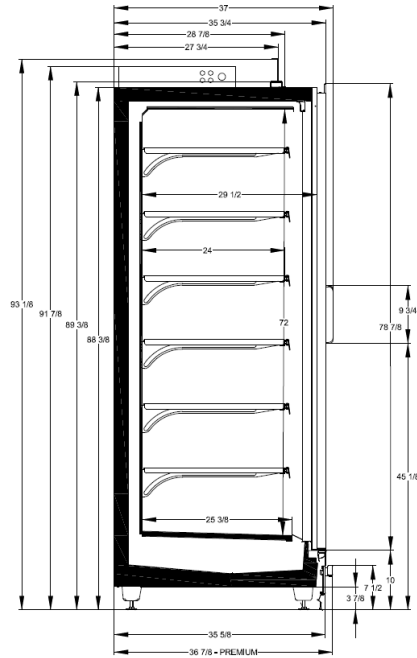
1 At ASHRAE conditions. For conditions above 75°F, 55% RH, increase defrost time by 15 min. Type I refrigerator, intended for use in an area where the environmental conditions are controlled and maintained that conditions do not exceed 75°F and 55% relative humidity. Kysor Warren, whose policy is one of continuous improvement, reserves the right to change at any time specifications, designs, or prices without incurring obligation. DOE 2017 Compliant



The above case model has case lengths that are UL and NSF approved.

KWN7F- End Case
REACH IN SPECIFICATION SHEET

KWN7F CROSS VIEW



Add 2" thickness for each end.

KWN7F PLAN VIEW

