

# MN6HN - STRATUS

## MULTI-DECK SPECIFICATION SHEET



General Case Data	Case Length (ft)			
	4'	6'	8'	12'
Total Display Area (ft <sup>2</sup> )	16.83	25.21	33.63	50.42
Cubic Capacity (ft <sup>3</sup> )	38.64	57.86	77.18	115.73
Max Shelf Depth (in) [Top/Bottom]	16/22	16/22	16/22	16/22
Weight (lb)	-	-	-	-
Refrigeration Data (General)				
Discharge Air Velocity (fpm)	200-225	200-225	200-225	200-225
Fan Speed (rpm)	2200	2200	2200	2200
Discharge Air Temp (°F)	30	30	30	30
Conventional Thermal Load, Single (Btuh) one row of canopy LED	5068	7602	10136	15204
Parallel Thermal Load, Single (Btuh) one row of canopy LED	4667	7000	9334	14000
Additional Btuh per ft LED - Canopy / Shelf & Nose	13 / 11	13 / 11	13 / 11	13 / 11
Refrigeration Data (HFC)				
Evaporator Temperature (°F)	23	23	23	23
Superheat Setpoint (°F)	6 - 8	6 - 8	6 - 8	6 - 8
Estimated Refrigerant Charge (lbs)	2.214	3.310	4.428	6.619
Refrigeration Data (Glycol)				
Supply Temperature (°F)	20	20	20	20
Flow (GPM)	1.252	1.877	2.504	5.008
Fluid %	35	35	35	35
Pressure Drop (PSID)	1.7	3.8	1.7	3.8
Electrical Data (Amps/Watts)				
115V/60Hz, 1 Phase				
Fans	0.41	0.83	0.83	1.24
Canopy Lights (Per row)				
GE LED	0.22	0.33	0.44	0.67
Shelf Lights (Per row)				
GE LED	0.08	0.10	0.15	0.23

Defrost Data (off Cycle)			
Defrosts per Day	Failsafe Duration (min) <sup>1</sup>	Termination Temp (°F)	Drip Time (min)
6	29	45	0

<sup>1</sup> At ASHRAE conditions. For conditions above 75°F, 55% RH, increase defrost time by 15 min. Type I refrigerator, intended for use in an area where the environmental conditions are controlled and maintained that conditions do not exceed 75°F and 55% relative humidity. Kysor Warren, whose policy is one of continuous improvement, reserves the right to change at any time specifications, designs, or prices without incurring obligation. DOE 2017 Compliant

### APPLICATIONS

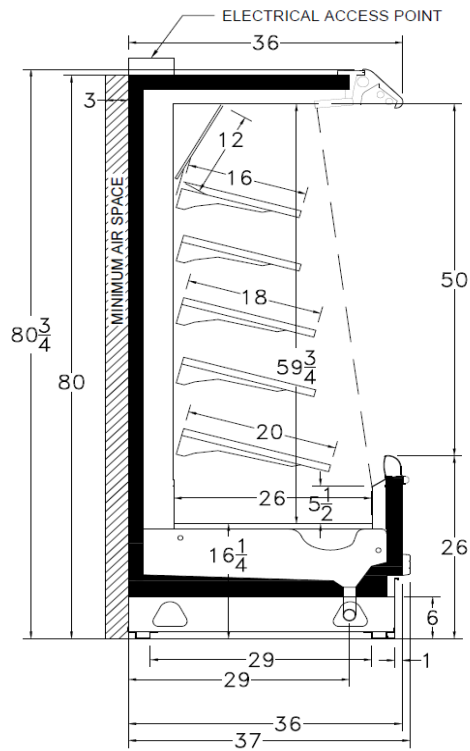


The above case model has case lengths that are UL and NSF approved.

# MN6HN - STRATUS

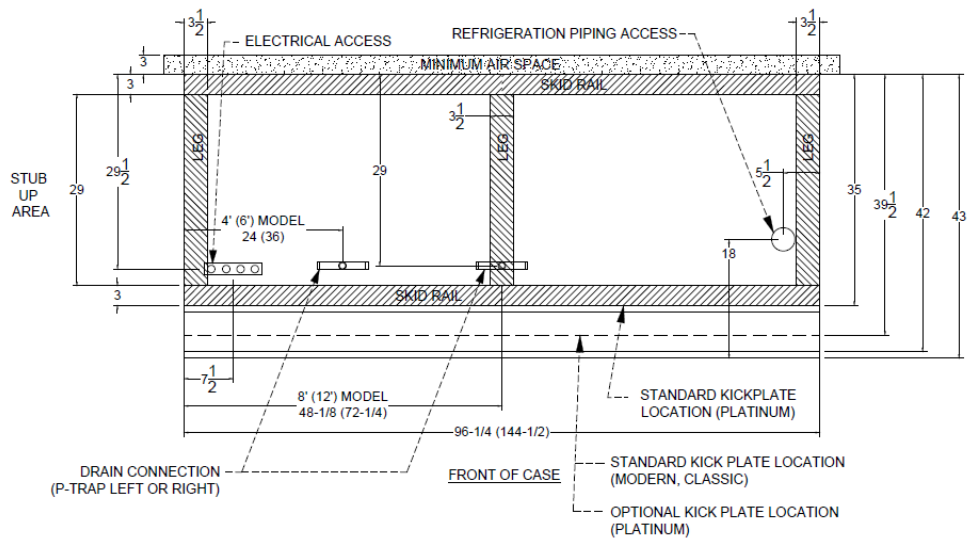
## MULTI-DECK SPECIFICATION SHEET

### MN6HN CROSS VIEW



Add 3" thickness for a pair of ends.

### MN6HN PLAN VIEW (SINGLE COIL)



5201 Transport Blvd  
Columbus, GA 31907  
P: 800.866.5596 • F: 706.568.8990



[www.kysorwarren.com](http://www.kysorwarren.com)

