

ISSUE DATE: SEPTEMBER 2018

MX1LN - STRATUS

SINGLE-DECK SPECIFICATION SHEET



KYSOR WARREN
epta refrigeration

General Case Data	Case Length (ft)			
	4'	6'	8'	12'
Total Display Area (ft ²)	11.36	17.06	22.72	34.12
Cubic Capacity (ft ³)	5.12	7.70	10.24	15.40
Max Shelf Depth (in) [Top/Bottom]	N/A	N/A	N/A	N/A
Weight (lb)	-	-	-	-
Refrigeration Data (General)				
Discharge Air Velocity (fpm)	250-300	250-300	250-300	250-300
Fan Speed (rpm)	1200	1200	1200	1200
Discharge Air Temp (°F)	26	26	26	26
Conventional Thermal Load, Single (Btuh) unlighted	2172	3258	4344	6516
Parallel Thermal Load, Single (Btuh) unlighted	2008	3012	4016	6024
Refrigeration Data (HFC)				
Evaporator Temperature (°F)	20	20	20	20
Superheat Setpoint (°F)	6 - 8	6 - 8	6 - 8	6 - 8
Estimated Refrigerant Charge (lbs)	1.851	2.768	3.703	5.536
Refrigeration Data (Glycol)				
Supply Temperature (°F)	20	20	20	20
Flow (GPM)	QTE	QTE	QTE	QTE
Fluid %	35	35	35	35
Pressure Drop (PSID)	QTE	QTE	QTE	QTE
Electrical Data (Amps/Watts)				
115V/60Hz, 1 Phase				
Fans	0.11	0.22	0.22	0.43
Shelf Lights (Per row)				
	T8	0.24	0.43	0.47
		0.24	0.43	0.47

Defrost Data (off Cycle)			
Defrosts per Day	Failsafe Duration (min) ¹	Termination Temp (°F)	Drip Time (min)
4	30	45	2

¹ At ASHRAE conditions. For conditions above 75°F, 55% RH, increase defrost time by 15 min. Type I refrigerator, intended for use in an area where the environmental conditions are controlled and maintained that conditions do not exceed 75°F and 55% relative humidity. Kysor Warren, whose policy is one of continuous improvement, reserves the right to change at any time specifications, designs, or prices without incurring obligation. DOE 2017 Compliant

APPLICATIONS

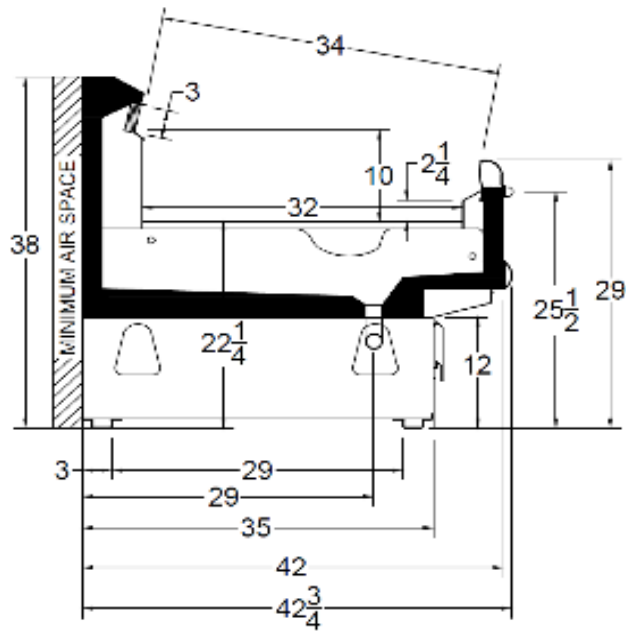


ANSI / NSF 7
The above case model has case lengths that are UL and NSF approved.

MX1LN - STRATUS

SINGLE-DECK SPECIFICATION SHEET

MX1LN CROSS VIEW



Add 3" thickness for a pair of ends.

MX1LN PLAN VIEW

