

ISSUE DATE: SEPTEMBER 2018

# MX1XG - STRATUS

## SINGLE-DECK SPECIFICATION SHEET



**KYSOR WARREN**  
epta refrigeration

General Case Data	Case Length (ft)			
	4'	6'	8'	12'
Total Display Area (ft <sup>2</sup> )	12.70	19.06	25.40	38.13
Cubic Capacity (ft <sup>3</sup> )	7.24	10.87	14.48	21.74
Max Shelf Depth (in) [Top/Bottom]	N/A	N/A	N/A	N/A
Weight (lb)	-	-	-	-
<b>Refrigeration Data (General)</b>				
Discharge Air Velocity (fpm)	250-300	250-300	250-300	250-300
Fan Speed (rpm)	1200	1200	1200	1200
Discharge Air Temp (°F)	26	26	26	26
Conventional Thermal Load, Single (Btuh) unlighted	1908	2970	3960	5490
Parallel Thermal Load, Single (Btuh) unlighted	1828	2742	3656	5484
<b>Refrigeration Data (HFC)</b>				
Evaporator Temperature (°F)	20	20	20	20
Superheat Setpoint (°F)	6 - 8	6 - 8	6 - 8	6 - 8
Estimated Refrigerant Charge (lbs)	1.851	2.768	3.703	5.536
<b>Refrigeration Data (Glycol)</b>				
Supply Temperature (°F)	20	20	20	20
Flow (GPM)	QTE	QTE	QTE	QTE
Fluid %	35	35	35	35
Pressure Drop (PSID)	QTE	QTE	QTE	QTE
<b>Electrical Data (Amps/Watts)</b>				
115V/60Hz, 1 Phase				
Fans	0.11	0.22	0.22	0.43
Shelf Lights (Per row)				
	T8	0.24	0.43	0.47
		0.24	0.43	0.47

Defrost Data (off Cycle)			
Defrosts per Day	Failsafe Duration (min) <sup>1</sup>	Termination Temp (°F)	Drip Time (min)
4	30	45	2

<sup>1</sup> At ASHRAE conditions. For conditions above 75°F, 55% RH, increase defrost time by 15 min. Type I refrigerator, intended for use in an area where the environmental conditions are controlled and maintained that conditions do not exceed 75°F and 55% relative humidity. Kysor Warren, whose policy is one of continuous improvement, reserves the right to change at any time specifications, designs, or prices without incurring obligation. DOE 2017 Compliant

APPLICATIONS

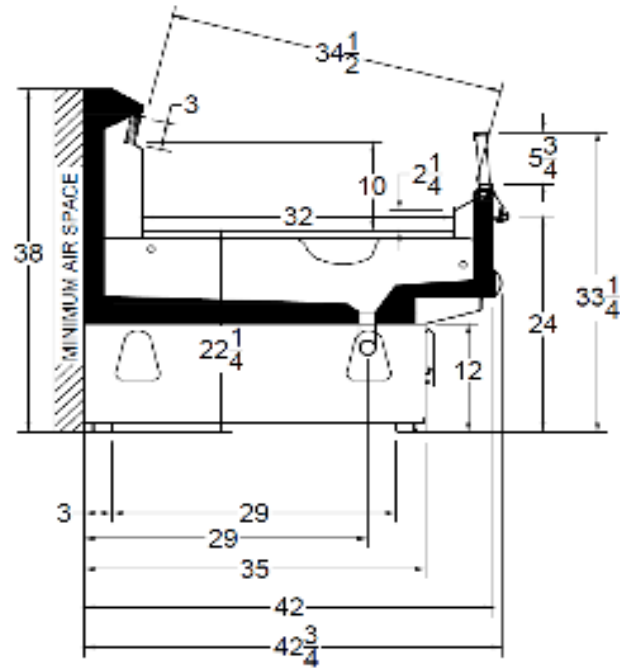


The above case model has case lengths that are UL and NSF approved.

# MX1XG - STRATUS

## SINGLE-DECK SPECIFICATION SHEET

### MX1XG CROSS VIEW



Add 3" thickness for a pair of ends.

### MX1XG PLAN VIEW

