

# MX2LP - STRATUS

## MULTI-DECK SPECIFICATION SHEET



General Case Data	Case Length (ft)			
	4'	6'	8'	12'
Total Display Area (ft <sup>2</sup> )	11.20	16.81	22.39	33.62
Cubic Capacity (ft <sup>3</sup> )	17.92	26.83	35.79	53.67
Max Shelf Depth (in) [Top/Bottom]	18	18	18	18
Weight (lb)	-	-	-	-
<b>Thermal Load (General)</b>				
Discharge Air Velocity (fpm)	200	200	200	200
Fan Speed (rpm)	1200	1200	1200	1200
Discharge Air Temp (°F)	31	31	31	31
Conventional Thermal Load, Single (Btuh) one row of canopy LED	3612	5418	7224	10836
Parallel Thermal Load, Single (Btuh) one row of canopy LED	3345	5018	6690	10035
Additional Btuh per ft LED - Canopy / Shelf & Nose	13 / 11	13 / 11	13 / 11	13 / 11
<b>Thermal Load (HFC)</b>				
Evaporator Temperature (°F)	26	26	26	26
Superheat Setpoint (°F)	6 - 8	6 - 8	6 - 8	6 - 8
Estimated Refrigerant Charge (lbs)	1.241	1.846	2.579	3.925
<b>Thermal Load (Glycol)</b>				
Supply Temperature (°F)	20	20	20	20
Flow (GPM)	QTE	QTE	QTE	QTE
Fluid %	35	35	35	35
Pressure Drop (PSID)	QTE	QTE	QTE	QTE
<b>Electrical Data (Amps/Watts)</b>				
115V/60Hz, 1 Phase				
Fans	0.12	0.24	0.24	0.36
Canopy Lights (Per row)				
GE LED	0.22	0.33	0.44	0.67
Shelf Lights (Per row)				
GE LED	0.08	0.10	0.15	0.23

Defrost Data (off Cycle)			
Defrosts per Day	Failsafe Duration (min) <sup>1</sup>	Termination Temp (°F)	Drip Time (min)
6	18	50	2

*1 At ASHRAE conditions. For conditions above 75°F, 55% RH, increase defrost time by 15 min. Type I refrigerator, intended for use in an area where the environmental conditions are controlled and maintained that conditions do not exceed 75°F and 55% relative humidity. Kysor Warren, whose policy is one of continuous improvement, reserves the right to change at any time specifications, designs, or prices without incurring obligation. DOE 2017 Compliant*

APPLICATIONS

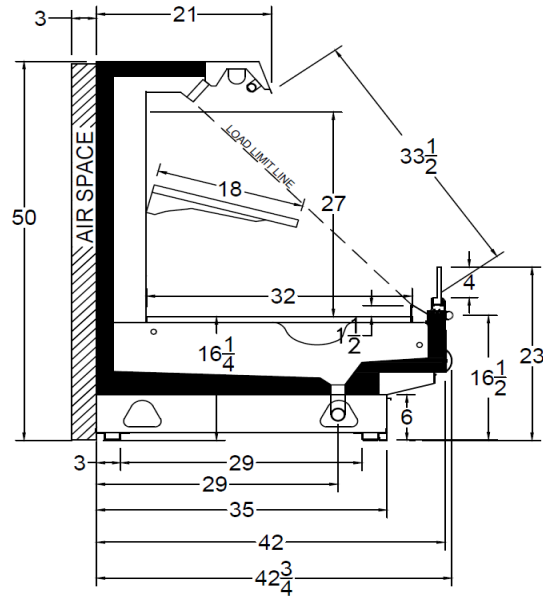


The above case model has case lengths that are UL and NSF approved.

# MX2LP - STRATUS

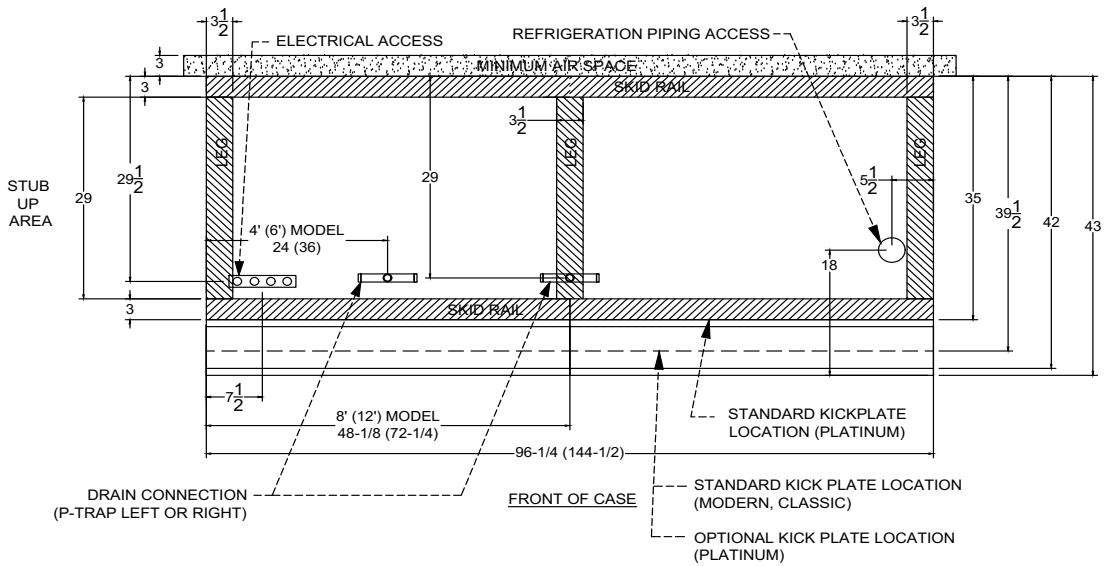
## MULTI-DECK SPECIFICATION SHEET

### MX2LP CROSS VIEW



Add 3" thickness for a pair of ends.

### MX2LP PLAN VIEW (Single Coil)



5201 Transport Blvd  
Columbus, GA 31907  
P: 800.866.5596 • F: 706.568.8990



[www.kysorwarren.com](http://www.kysorwarren.com)



**KYSOR WARREN**  
epta refrigeration