

ISSUE DATE: SEPTEMBER 2018

# MX3LC - STRATUS

## MULTI-DECK SPECIFICATION SHEET



**KYSOR WARREN**  
epta refrigeration

General Case Data	Case Length (ft)			
	4'	6'	8'	12'
Total Display Area (ft <sup>2</sup> )	12.03	18.06	24.06	36.13
Cubic Capacity (ft <sup>3</sup> )	19.99	29.93	39.93	59.87
Max Shelf Depth (in) [Top/Bottom]	14/22	14/22	14/22	14/22
Weight (lb)	-	-	-	-
<b>Refrigeration Data (General)</b>				
Discharge Air Velocity (fpm)	200	200	200	200
Fan Speed (rpm)	1100	1100	1100	1100
Discharge Air Temp (°F)	31	31	31	31
Conventional Thermal Load, Single (Btuh) one row of canopy LED	3612	5418	7224	10836
Parallel Thermal Load, Single (Btuh) one row of canopy LED	3345	5018	6690	10035
Additional Btuh per ft LED - Canopy / Shelf & Nose	13 / 11	13 / 11	13 / 11	13 / 11
<b>Refrigeration Data (HFC)</b>				
Evaporator Temperature (°F)	26	26	26	26
Superheat Setpoint (°F)	6 - 8	6 - 8	6 - 8	6 - 8
Estimated Refrigerant Charge (lbs)	1.851	2.768	3.703	5.536
<b>Refrigeration Data (Glycol)</b>				
Supply Temperature (°F)	20	20	20	20
Flow (GPM)	QTE	QTE	QTE	QTE
Fluid %	35	35	35	35
Pressure Drop (PSID)	QTE	QTE	QTE	QTE
<b>Electrical Data (Amps/Watts)</b>				
115V/60Hz, 1 Phase				
Fans	0.09	0.17	0.17	0.35
Canopy Lights (Per row)				
GE LED	0.22	0.33	0.44	0.67
Shelf Lights (Per row)				
GE LED	0.08	0.10	0.15	0.23

Defrost Data (off Cycle)			
Defrosts per Day	Failsafe Duration (min) <sup>1</sup>	Termination Temp (°F)	Drip Time (min)
6	18	50	2

<sup>1</sup> At ASHRAE conditions. For conditions above 75°F, 55% RH, increase defrost time by 15 min. Type I refrigerator, intended for use in an area where the environmental conditions are controlled and maintained that conditions do not exceed 75°F and 55% relative humidity. Kysor Warren, whose policy is one of continuous improvement, reserves the right to change at any time specifications, designs, or prices without incurring obligation. DOE 2017 Compliant

### APPLICATIONS

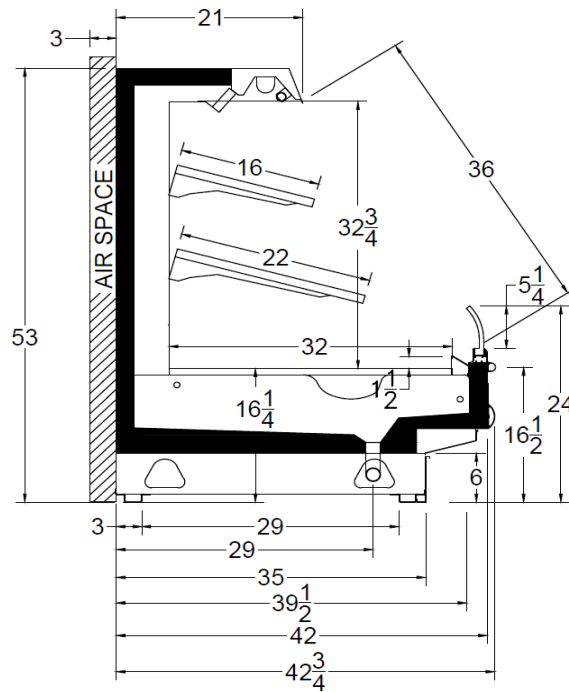


ANSI / NSF 7  
The above case model has case lengths that are UL and NSF approved.

# MX3LC - STRATUS

## MULTI-DECK SPECIFICATION SHEET

### MX3LC CROSS VIEW



Add 3" thickness for a pair of ends.

### MX3LC PLAN VIEW

