

MX4XG - STRATUS

MULTI-DECK SPECIFICATION SHEET



General Case Data	Case Length (ft)			
	4'	6'	8'	12'
Total Display Area (ft ²)	14.37	21.57	28.74	43.15
Cubic Capacity (ft ³)	31.41	47.03	62.77	94.07
Max Shelf Depth (in) [Top/Bottom]	16/22	16/22	16/22	16/22
Weight (lb)	-	-	-	-
Refrigeration Data (General)				
Discharge Air Velocity (fpm)	200-325	200-325	200-325	200-325
Fan Speed (rpm)	1900	1900	1900	1900
Discharge Air Temp (°F)	31	31	31	31
Conventional Thermal Load, Single (Btuh) one row of canopy LED	3787	5681	7575	11362
Parallel Thermal Load, Single (Btuh) one row of canopy LED	3507	5261	7015	10522
Additional Btuh per ft LED - Canopy / Shelf & Nose	13 / 11	13 / 11	13 / 11	13 / 11
Refrigeration Data (HFC)				
Evaporator Temperature (°F)	26	26	26	26
Superheat Setpoint (°F)	6 - 8	6 - 8	6 - 8	6 - 8
Estimated Refrigerant Charge (lbs)	1.851	2.768	3.703	5.536
Refrigeration Data (Glycol)				
Supply Temperature (°F)	20	20	20	20
Flow (GPM)	0.968	1.452	1.936	2.904
Fluid %	35	35	35	35
Pressure Drop (PSID)	1.6	3.5	1.6	3.5
Electrical Data (Amps/Watts)				
115V/60Hz, 1 Phase				
Fans	0.29	0.59	0.59	1.17
Canopy Lights (Per row)				
GE LED	0.22	0.33	0.44	0.67
Shelf Lights (Per row)				
GE LED	0.08	0.10	0.15	0.23

Defrost Data (off Cycle)			
Defrosts per Day	Failsafe Duration (min) ¹	Termination Temp (°F)	Drip Time (min)
6	18	50	2

¹ At ASHRAE conditions. For conditions above 75°F, 55% RH, increase defrost time by 15 min. Type I refrigerator, intended for use in an area where the environmental conditions are controlled and maintained that conditions do not exceed 75°F and 55% relative humidity. Heatcraft Worldwide Refrigeration, whose policy is one of continuous improvement, reserves the right to change at any time specifications, designs, or prices without incurring obligation. DOE 2017 Compliant

APPLICATIONS

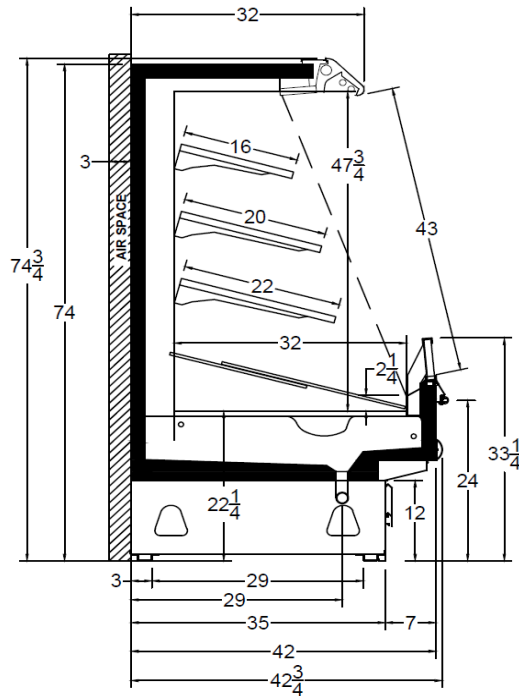


The above case model has case lengths that are UL and NSF approved.

MX4XG - STRATUS

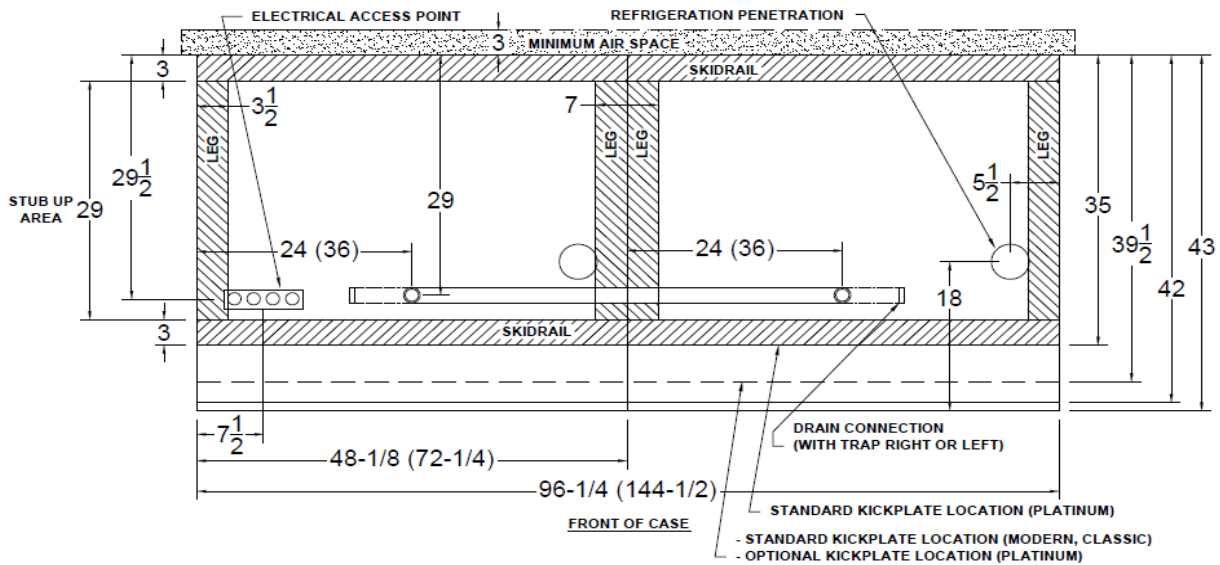
MULTI-DECK SPECIFICATION SHEET

MX4XG CROSS VIEW



Add 3" thickness for a pair of ends.

MX4XG PLAN VIEW



5201 Transport Blvd
Columbus, GA 31907
P: 800.866.5596 • F: 706.568.8990



www.kysorwarren.com

