




ISSUE DATE: SEPTEMBER 2018

NS39VJL1- LEGACY

SERVICE SPECIFICATION SHEET



General Case Data	Case Length (ft)				APPLICATIONS
	4'	6'	8'	12'	
Total Display Area (ft ²)	13.93	21.30	27.83	41.73	  
Cubic Capacity (ft ³)	12.90	19.32	25.77	38.63	
Max Shelf Depth (in) [Top/Bottom] One Row	10" / 12"	10" / 12"	10" / 12"	10" / 12"	
Weight (lb)	-	-	-	-	
Refrigeration Data (General)					
Discharge Air Velocity (fpm)	250	250	250	250	
Fan Speed (rpm)	1550	1550	1550	1550	
Discharge Air Temp (°F)	30	30	30	30	
Evaporator Temperature (°F)	20	20	20	20	
Conventional Thermal Load, Single (Btuh) one row of canopy LED	1592	2388	3184	4776	
Conventional Thermal Load, Single (Btuh) one row of canopy T8	1624	2436	3248	4872	
Parallel Thermal Load, Single (Btuh) one row of canopy LED	1543	2314	3085	4628	
Parallel Thermal Load, Single (Btuh) one row of canopy T8	1575	2436	3149	4724	
Additional Btuh per ft LED - Canopy / Shelf & Nose	13 / 11	13 / 11	13 / 11	13 / 11	
Additional Btuh per ft T8	19	19	19	19	
Superheat Setpoint (°F)	6-8	6-8	6-8	6-8	
Estimated Refrigerant Charge (lbs)E	2.304	3.631	4.965	7.626	
Electrical Data (Amps/Watts)					
Lighting, one row canopy LED	0.22	0.33	0.44	0.67	
Lighting, one row canopy T8	0.24	0.43	0.47	0.71	
Defrost Data (off Cycle)					
Defrosts Data	Per Day	Fail Safe	Termination		
Off Cycle	1	46	TIME		

1 At ASHRAE conditions. For conditions above 75°F, 55% RH, increase defrost time by 15 min. Type I refrigerator, intended for use in an area where the environmental conditions are controlled and maintained that conditions do not exceed 75°F and 55% relative humidity. Heatcraft Worldwide Refrigeration, whose policy is one of continuous improvement, reserves the right to change at any time specifications, designs, or prices without incurring obligation. DOE 2017 Compliant

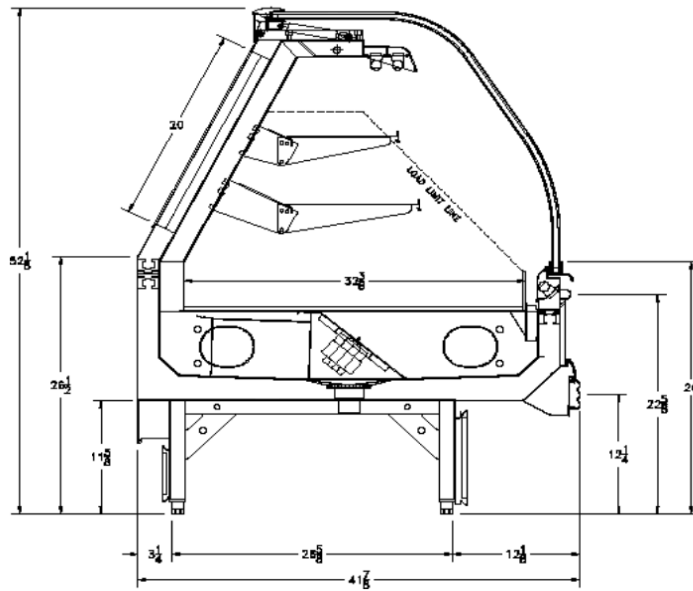


The above case model has case lengths that are UL and NSF approved.

NS39VJL1- LEGACY

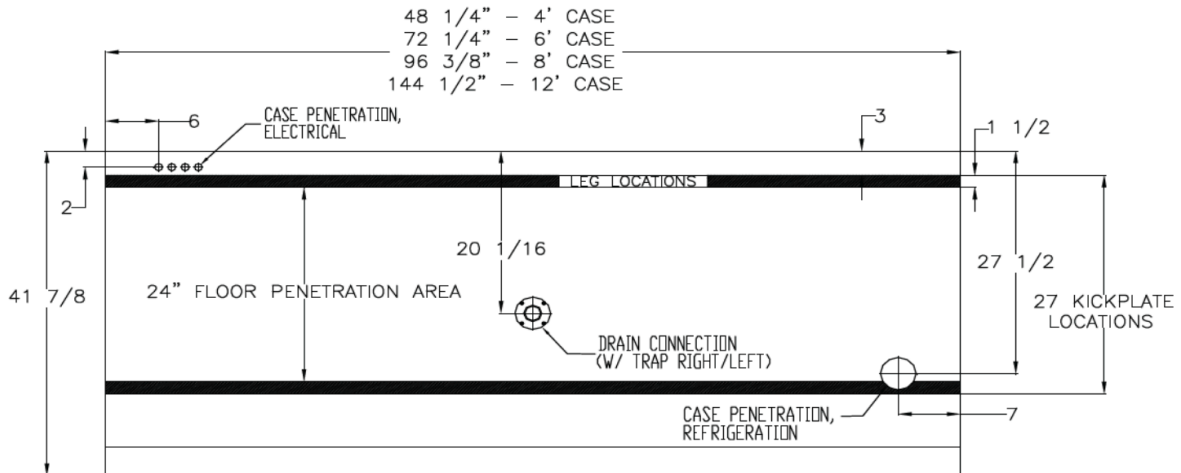
SERVICE SPECIFICATION SHEET

NS39VJL1 CROSS VIEW



Add 3" thickness for a pair of ends.

NS39VJL1 PLAN VIEW



5201 Transport Blvd
Columbus, GA 31907
P: 800.866.5596 • F: 706.568.8990



www.kysorwarren.com

