

ISSUE DATE: SEPTEMBER 2018

NS39VJL1CT- LEGACY

SERVICE SPECIFICATION SHEET



KYSOR WARREN

| General Case Data | Case Length (ft) | | | |
|--|------------------|-----------|-----------|-----------|
| | 4' | 6' | 8' | 12' |
| Total Display Area (ft ²) | 13.93 | 21.30 | 27.83 | 41.73 |
| Cubic Capacity (ft ³) | 12.90 | 19.32 | 25.77 | 38.63 |
| Max Shelf Depth (in) [Top/Bottom] One Row | 10" / 12" | 10" / 12" | 10" / 12" | 10" / 12" |
| Weight (lb) | - | - | - | - |
| Refrigeration Data (General) | | | | |
| Discharge Air Velocity (fpm) | 250 | 250 | 250 | 250 |
| Fan Speed (rpm) | 1550 | 1550 | 1550 | 1550 |
| Discharge Air Temp (°F) | 30 | 30 | 30 | 30 |
| Evaporator Temperature (°F) | 20 | 20 | 20 | 20 |
| Conventional Thermal Load, Single (Btuh) one row of canopy LED | 1592 | 2388 | 3184 | 4776 |
| Conventional Thermal Load, Single (Btuh) one row of canopy T8 | 1624 | 2436 | 3248 | 4872 |
| Parallel Thermal Load, Single (Btuh) one row of canopy LED | 1543 | 2314 | 3085 | 4628 |
| Parallel Thermal Load, Single (Btuh) one row of canopy T8 | 1575 | 2436 | 3149 | 4724 |
| Additional Btuh per ft LED - Canopy / Shelf & Nose | 13 / 11 | 13 / 11 | 13 / 11 | 13 / 11 |
| Additional Btuh per ft T8 | 19 | 19 | 19 | 19 |
| Superheat Setpoint (°F) | 6-8 | 6-8 | 6-8 | 6-8 |
| Estimated Refrigerant Charge (lbs)E | 2.304 | 3.631 | 4.965 | 7.626 |
| Electrical Data (Amps/Watts) | | | | |
| Lighting, one row canopy LED | 0.22 | 0.33 | 0.44 | 0.67 |
| Lighting, one row canopy T8 | 0.24 | 0.43 | 0.47 | 0.71 |

| Defrost Data (off Cycle) | | | |
|--------------------------|---------|-----------|-------------|
| Defrosts Data | Per Day | Fail Safe | Termination |
| Off Cycle | 1 | 46 | TIME |

1 At ASHRAE conditions. For conditions above 75°F, 55% RH, increase defrost time by 15 min. Type I refrigerator, intended for use in an area where the environmental conditions are controlled and maintained that conditions do not exceed 75°F and 55% relative humidity. Heatcraft Worldwide Refrigeration, whose policy is one of continuous improvement, reserves the right to change at any time specifications, designs, or prices without incurring obligation. DOE 2017 Compliant

APPLICATIONS

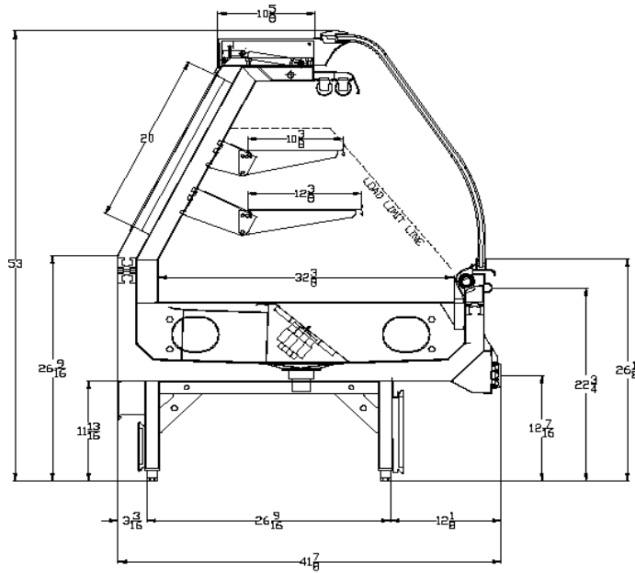


The above case model has case lengths that are UL and NSF approved.

NS39VJL1CT- LEGACY

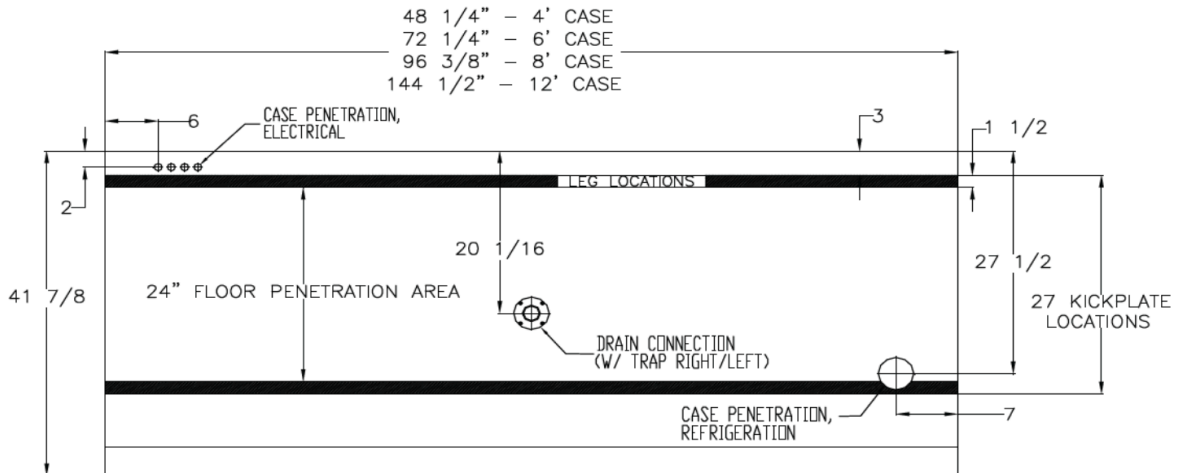
SERVICE SPECIFICATION SHEET

NS39VJL1CT CROSS VIEW



Add 3" thickness for a pair of ends.

NS39VJL1CT PLAN VIEW



5201 Transport Blvd
 Columbus, GA 31907
 P: 800.866.5596 • F: 706.568.8990



www.kysorwarren.com

