

NS39VL1CT- LEGACY

SERVICE SPECIFICATION SHEET



KYSOR WARREN

General Case Data	Case Length (ft)			
	4'	6'	8'	12'
Total Display Area (ft ²)	11.75	18.04	23.48	35.20
Cubic Capacity (ft ³)	12.48	18.69	24.93	37.38
Max Shelf Depth (in) [Top/Bottom] One Row	12" Only	12" Only	12" Only	12" Only
Weight (lb)	-	-	-	-
Thermal Load (General)				
Discharge Air Velocity (fpm)	Gravity	Gravity	Gravity	Gravity
Fan Speed (rpm)	NA	NA	NA	NA
Discharge Air Temp (°F)	NA	NA	NA	NA
Evaporator Temperature (°F)	15	15	15	15
Conventional Thermal Load (Btuh) with one row of canopy LED	1252	1878	2504	3756
Conventional Thermal Load (Btuh) with one row of canopy T8	1284	1926	2568	3852
Parallel Thermal Load (Btuh) with one row of canopy LED	1185	1777	2370	3555
Parallel Thermal Load (Btuh) with one row of canopy T8	1217	1926	2434	3651
Additional Btuh per ft LED - Canopy / Shelf & Nose	13 / 11	13 / 11	13 / 11	13 / 11
Additional Btuh per ft T8	19	19	19	19
Superheat Setpoint (°F)	6 - 8	6 - 8	6 - 8	6 - 8
Estimated Refrigerant Charge (lbs)	2.419	3.948	5.520	8.621
Electrical Data (Amps/Watts)				
Lighting, one row canopy LED	0.22	0.33	0.44	0.67
Lighting, one row canopy T8	0.24	0.43	0.47	0.71

Defrost Data (off Cycle)			
Defrosts Data	Per Day	Fail Safe	Termination
Off Cycle	1	80	TIME

1 At ASHRAE conditions. For conditions above 75°F, 55% RH, increase defrost time by 15 min.
 Type I refrigerator, intended for use in an area where the environmental conditions are controlled and maintained that conditions do not exceed 75°F and 55% relative humidity. Heatcraft Worldwide Refrigeration, whose policy is one of continuous improvement, reserves the right to change at any time specifications, designs, or prices without incurring obligation. DOE 2017 Compliant

APPLICATIONS

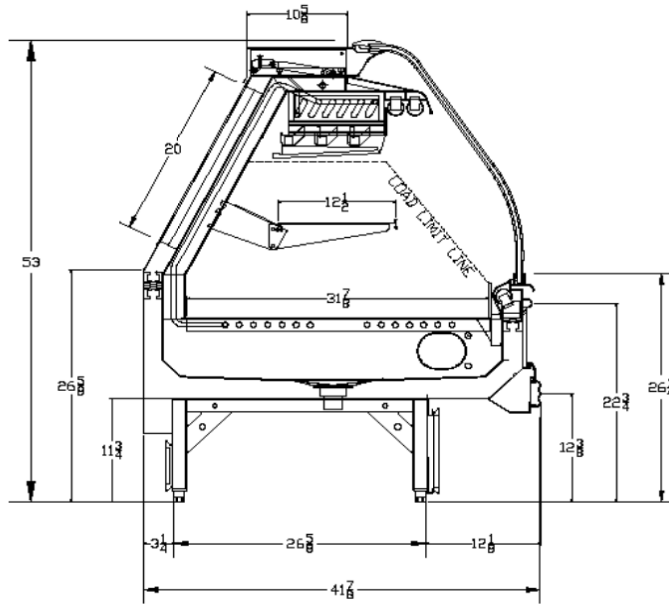


The above case model has case lengths that are UL and NSF approved.

NS39VL1CT- LEGACY

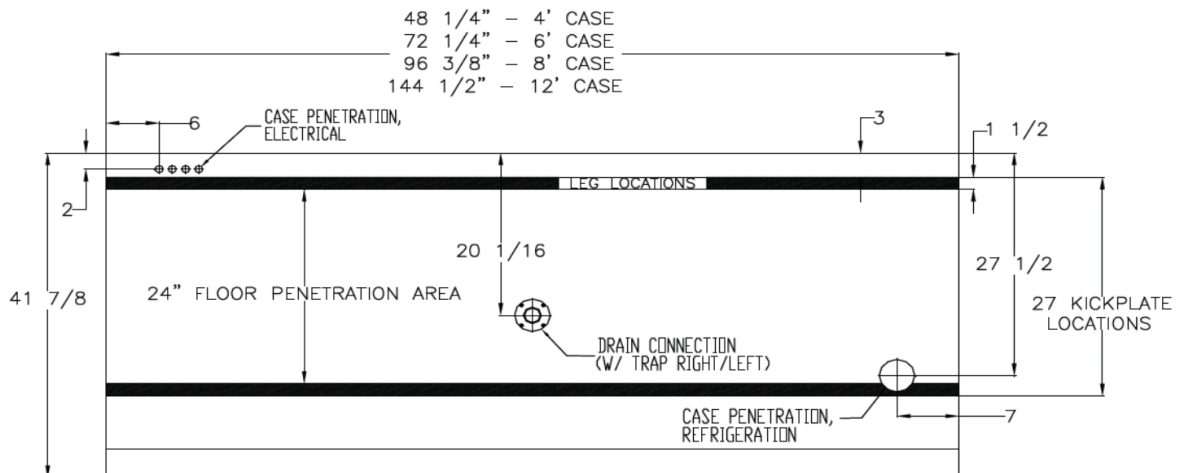
SERVICE SPECIFICATION SHEET

NS39VL1CT CROSS VIEW



Add 3" thickness for a pair of ends.

NS39VL1CT PLAN VIEW



5201 Transport Blvd
Columbus, GA 31907
P: 800.866.5596 • F: 706.568.8990



www.kysorwarren.com

