

OPERA KW, PEPPER

USER MANUAL

READ ATTENTIVELY AND STORE CAREFULLY
WITH THE CABINET
(original instructions)



KYSOR WARREN
eptarefrigeration

SECTION 1: QUICK REFERENCE INSTRUCTION

Model	OPERA KW, PEPPER	
Manufacturer	Epta Spa - Via Mecenate, 86 - 20138 Milano (MI) ITALIA Tel. 800-866-5596	2/24

Quick reference instruction

CONTENT

1.	Equipment required	2
2.	Handling and removal of the packaging	3
2.1	Handling	3
2.2	Removal of packaging	4
2.3	Cabinet completion	5
3.	Installation	6
3.1	Approach and coupling	6
3.2	Back to back combination	6
3.3	Coupling	7
3.4	Electric connections	10
3.5	Starting	12
4.	Maintenance	13
4.1	Access to the electrical panel	13
4.2	Access to the condenser	13
4.3	Probe position	14
4.4	Condenser fan replacement	14
4.5	Evaporator fan replacement	15
4.6	Lamp replacement	15
4.7	Resistance replacement	15
5.	Settings	18

SYMBOLS USED



Prohibition symbol: it prohibits the carrying out of specific operations.



Attention symbol: accident prevention rules for the operator.






Warning symbol: there is the possibility of damaging the cabinet and/or its components.



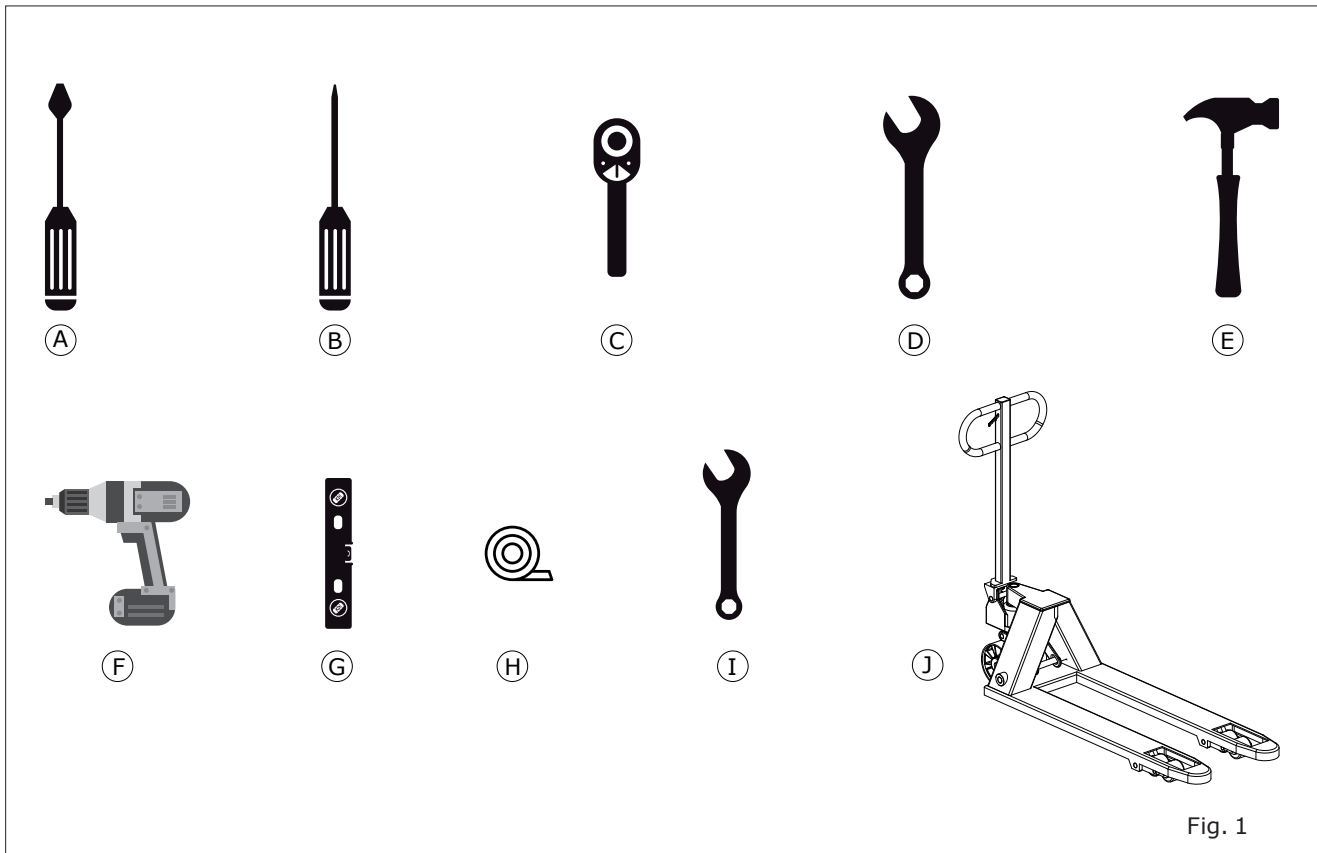
Note symbol: it provides useful information.

Personal protection equipment

	Safety shoes
	Protective gloves
	Safety glasses
	Safety helmet
	Safety vests

Model	OPERA KW, PEPPER	
Manufacturer	Epta Spa - Via Mecenate, 86 - 20138 Milano (MI) ITALIA Tel. 800-866-5596	3/24

1. EQUIPMENT REQUIRED



- A. Flat screwdriver
- B. Star screwdriver
- C. Ratchet wrench
- D. 12mm wrench
- E. Hammer

- F. Electric screwdriver
- G. Spirit level
- H. Scotch tape
- I. 8mm wrench
- J. Pallet truck

Model	OPERA KW, PEPPER	
Manufacturer	Epta Spa - Via Mecenate, 86 - 20138 Milano (MI) ITALIA Tel. 800-866-5596	4/24

Quick reference instruction

2. HANDLING AND REMOVAL OF THE PACKAGING



Before carrying out the operations to remove the packaging and transport, wear personal protective clothing and use means and tools suitable for the dimensions and weight of the appliance.

2.1 Handling

For the transport of the cabinets it is necessary to use forklifts equipped with elongated forks.

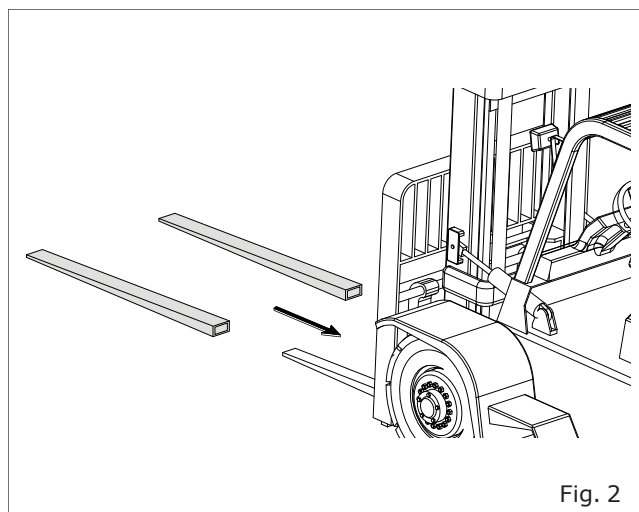


Fig. 2

The cabinet must be lifted as shown in the diagrams, by inserting the forks of the lift under the cabinet in the location shown.

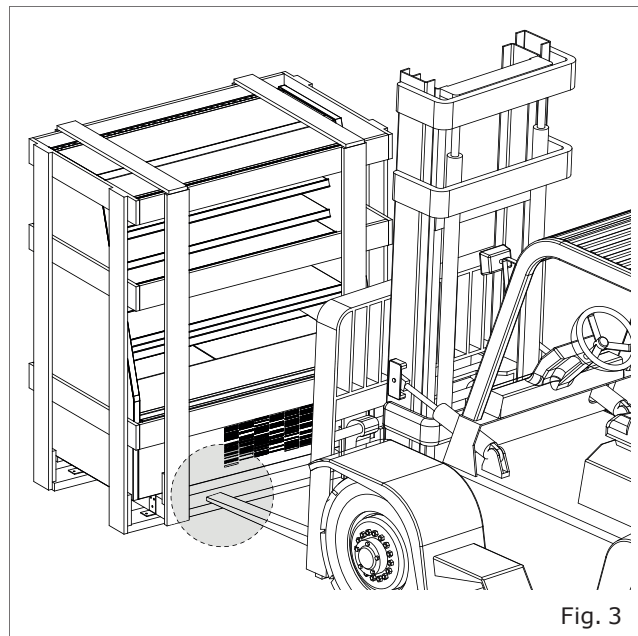
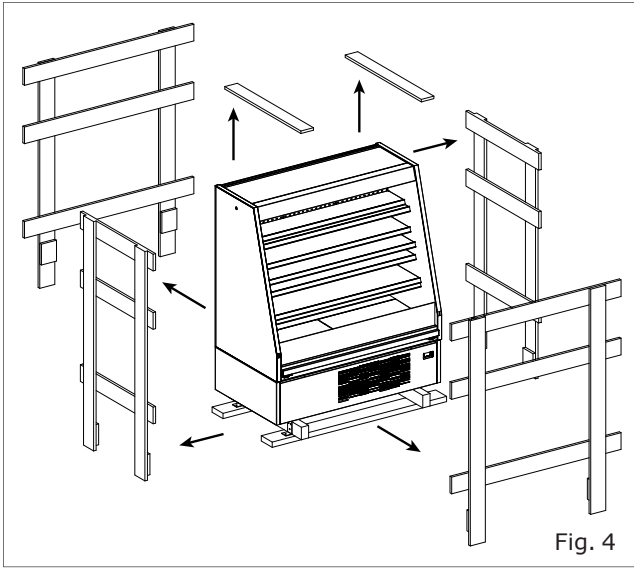


Fig. 3

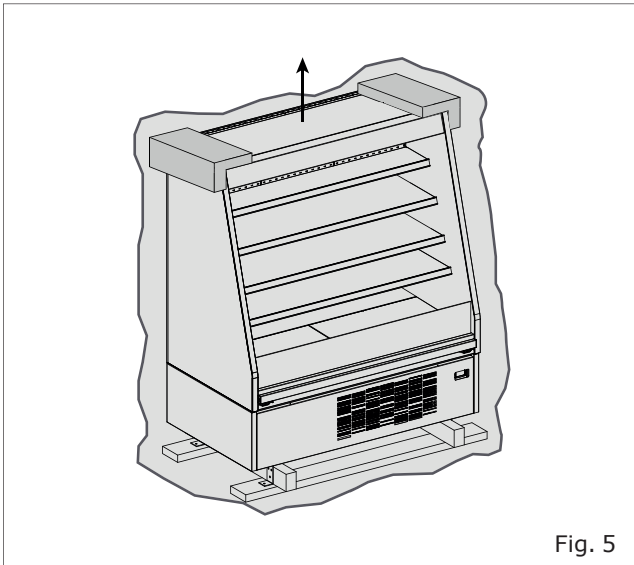
Model	OPERA KW, PEPPER	
Manufacturer	Epta Spa - Via Mecenate, 86 - 20138 Milano (MI) ITALIA Tel. 800-866-5596	5/24

2.2 Removal of packaging

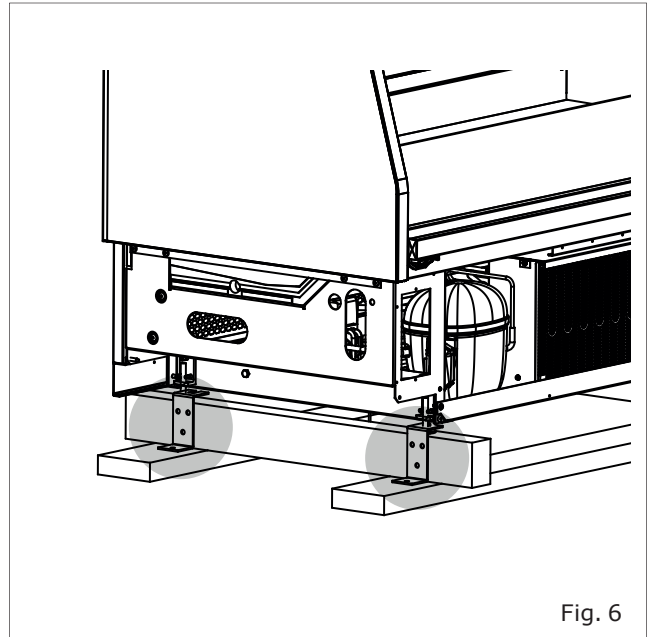
- Remove the wooden sides.



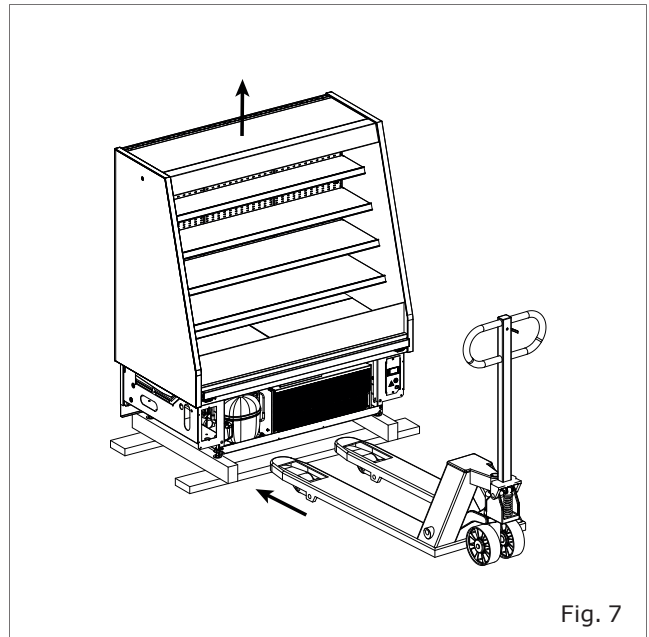
- Remove the anti-scratch sheet.
- Remove the protective corners.



- Remove the side brackets (on one side only) using the screwdriver (F).



- Lift the cabinet with the pallet truck (J).



Model	OPERA KW, PEPPER	
Manufacturer	Epta Spa - Via Mecenate, 86 - 20138 Milano (MI) ITALIA Tel. 800-866-5596	6/24

Quick reference instruction

- Remove the wooden skids placed under the cabinet with the help of a hammer (E).
- Remove the skid from under the cabinet.

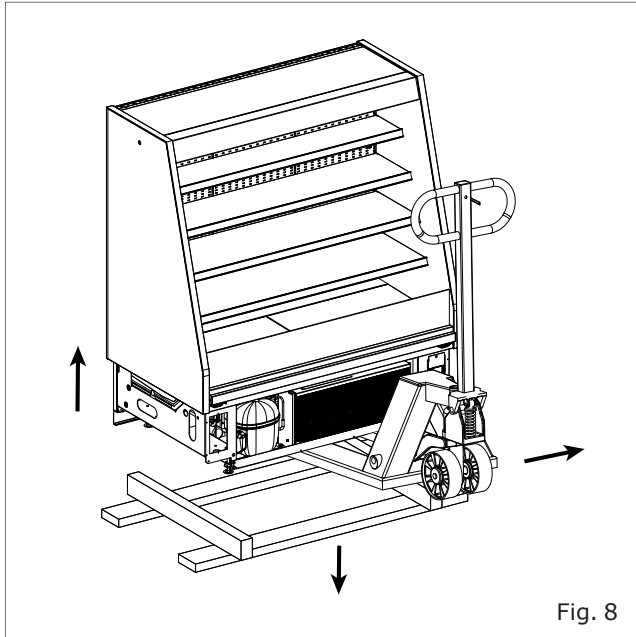


Fig. 8

- Adjust the feet using the 19mm (D) wrench.
- Check the flatness of the bench using the level (G).

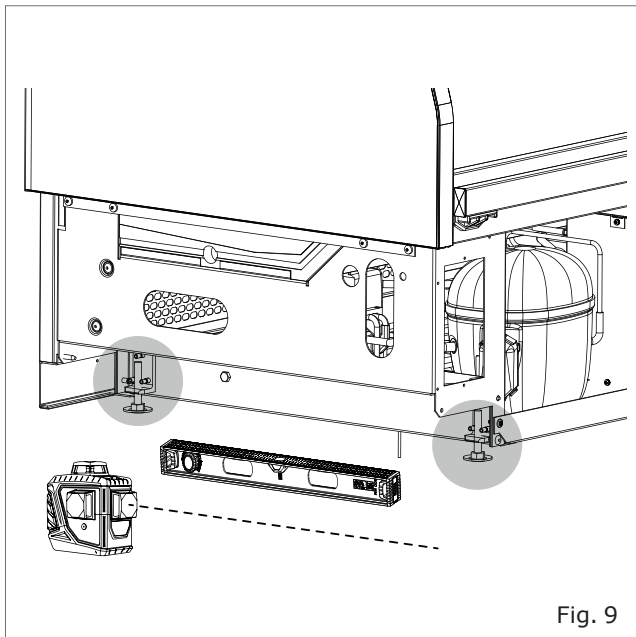


Fig. 9

- Install lower side panels using the screwdriver (F).
- Install front grille panel using the screwdriver (F).

2.3 Cabinet completion

- Insert the front glass in the track on the top of the cabinet nose.

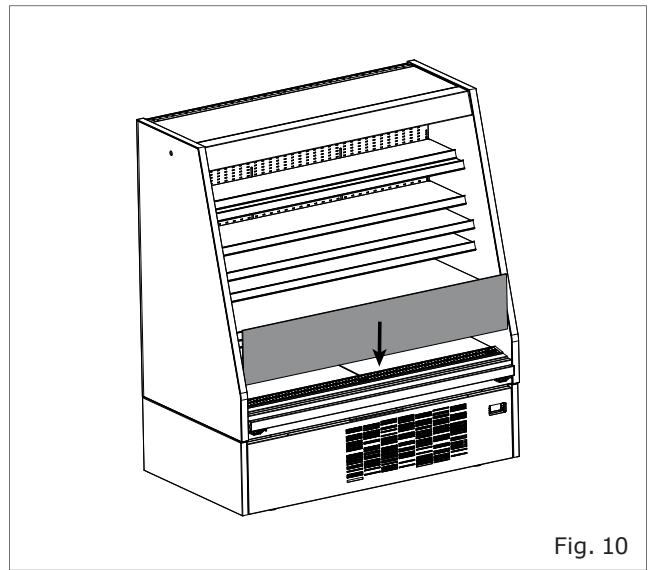


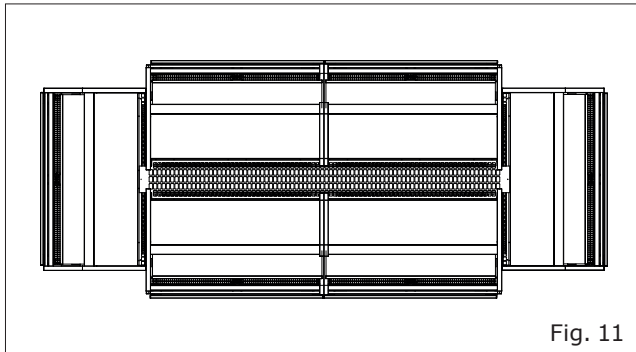
Fig. 10

Model	OPERA KW, PEPPER	
Manufacturer	Epta Spa - Via Mecenate, 86 - 20138 Milano (MI) ITALIA Tel. 800-866-5596	7/24

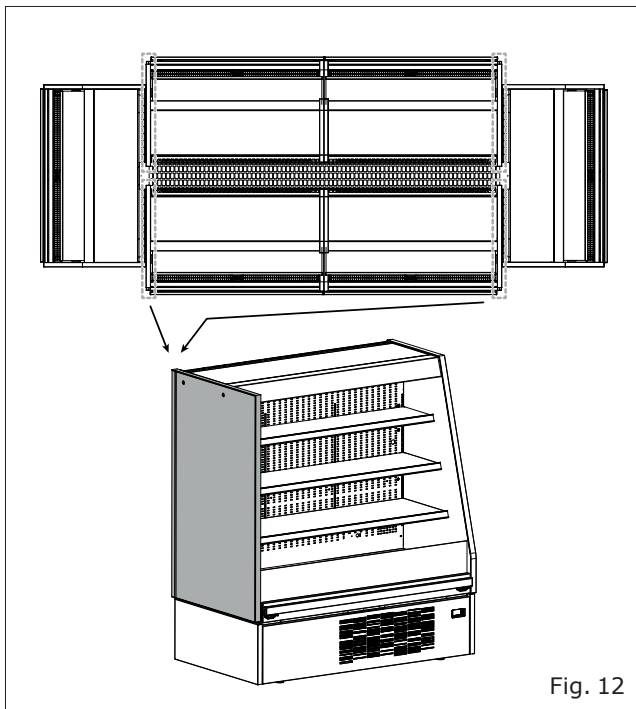
3. INSTALLATION

3.1 Configuratons and joining

The Opera cabinets can be coupled to each other.

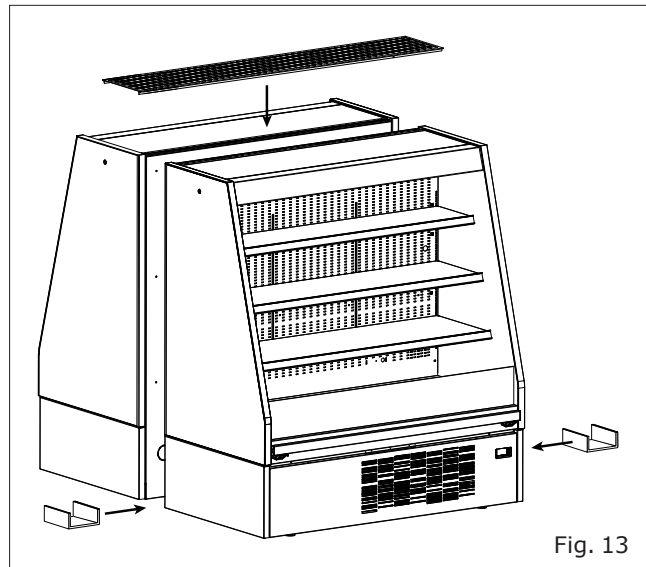


A special bracket is used when combining the end cabinet with the linear cabinet.



3.2 Back to back combination

To carry out the back-to-back layout it is necessary to use the joint kit, which includes 2 spacers and an upper grill. Kit #1955943 (for black exterior cases) When not using an end case use Kit # 1955939 to cover the gap on the end of the back to back cases



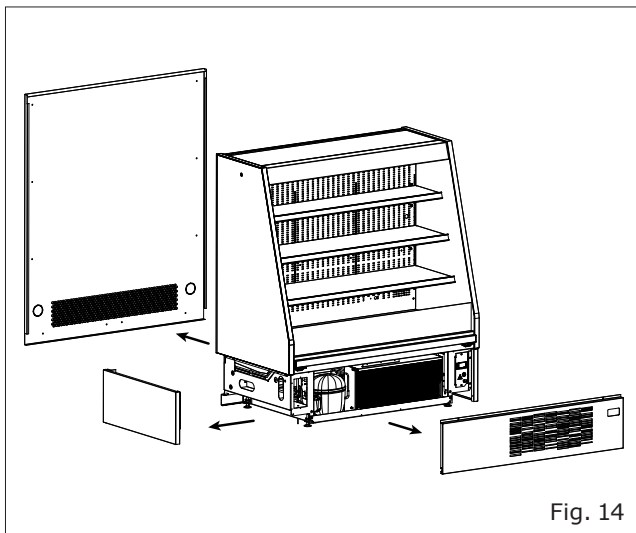
It is possible to combine end and linear cabinets, and back to back.

Model	OPERA KW, PEPPER	
Manufacturer	Epta Spa - Via Mecenate, 86 - 20138 Milano (MI) ITALIA Tel. 800-866-5596	8/24

Quick reference instruction

3.3 Coupling

- Remove the front fairing using the screwdriver (F).
- Remove the side fairing using the screwdriver (F).
- Remove the rear panel (optional) using the screwdriver (F).

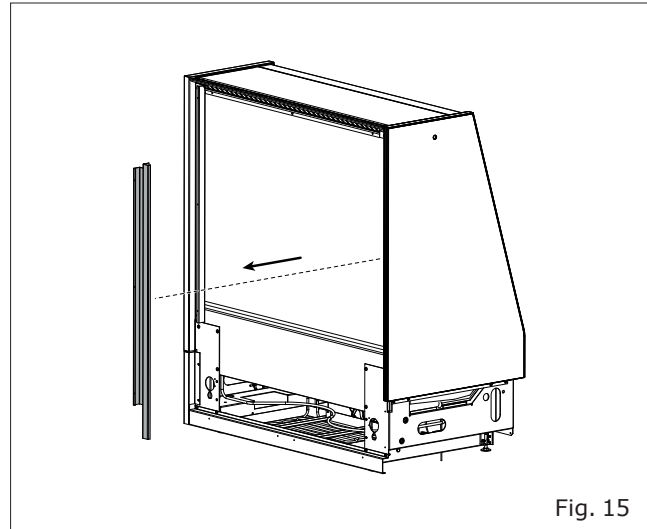


- Check the flatness in both the transverse and longitudinal directions using a spirit level (G).
- Adjust the feet with the 19mm (D) wrench to level the cabinet.

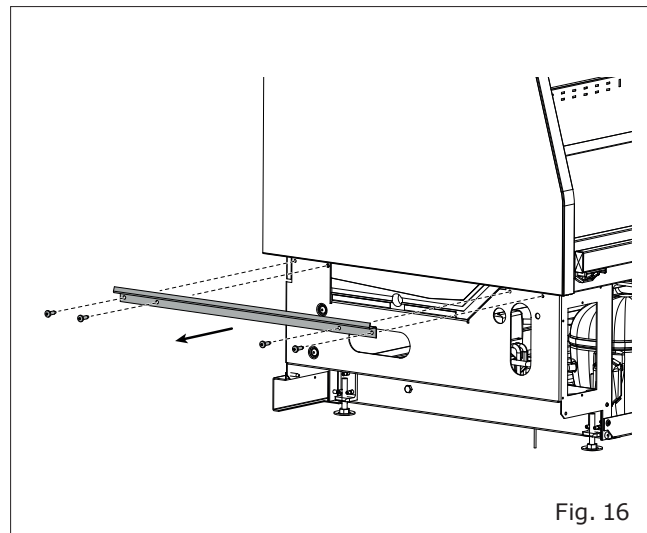


Avoid unscrewing the feet completely. The cabinet is shipped with the feet screwed on; the height of the cabinet is adjustable.

- Unscrew the end panel support bracket using the (F) screwdriver.



- Unscrew the screws using the screwdriver (F) and remove the bracket.



Model	OPERA KW, PEPPER	
Manufacturer	Epta Spa - Via Mecenate, 86 - 20138 Milano (MI) ITALIA Tel. 800-866-5596	9/24

Quick reference instruction

- Unscrew with ratchet wrench (C) the screws on the end panel.
- Remove the end panel.

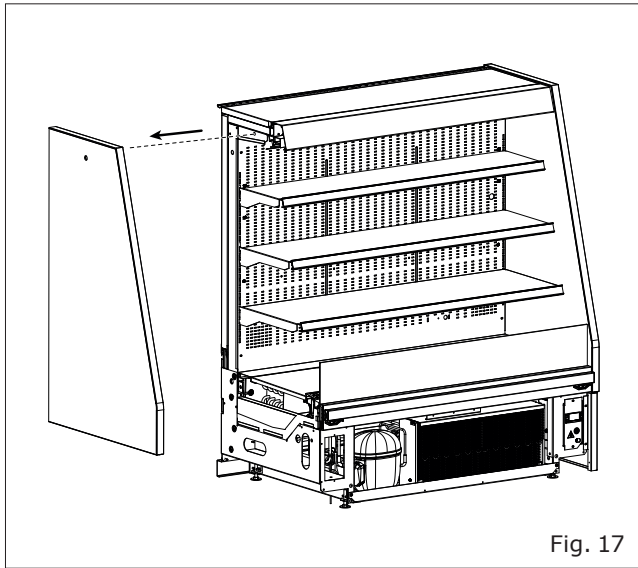


Fig. 17

- Apply the adhesive gasket to the edge of the cabinet.

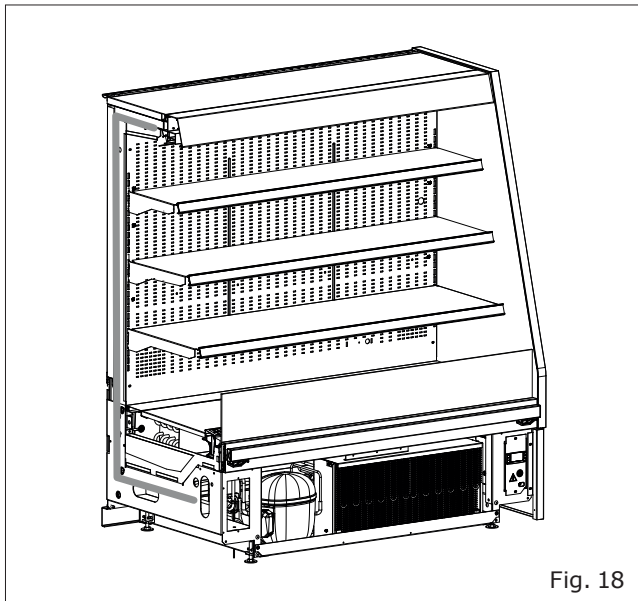


Fig. 18

- Pair the cabinets.

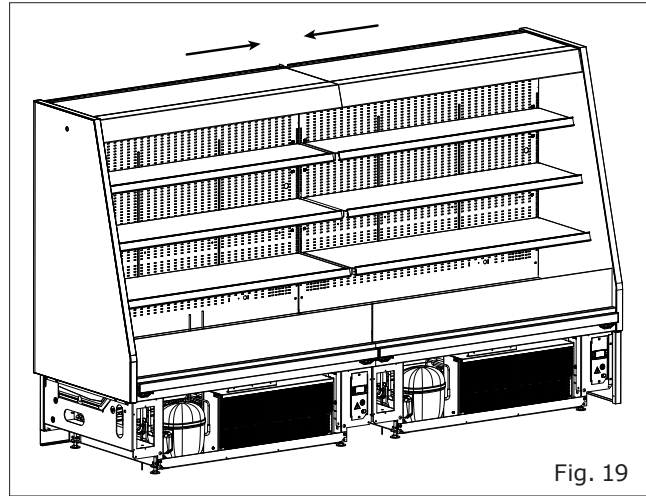


Fig. 19

- Use the joint kit# 86870000 (shipped inside case) to attach the cabinets to each other.

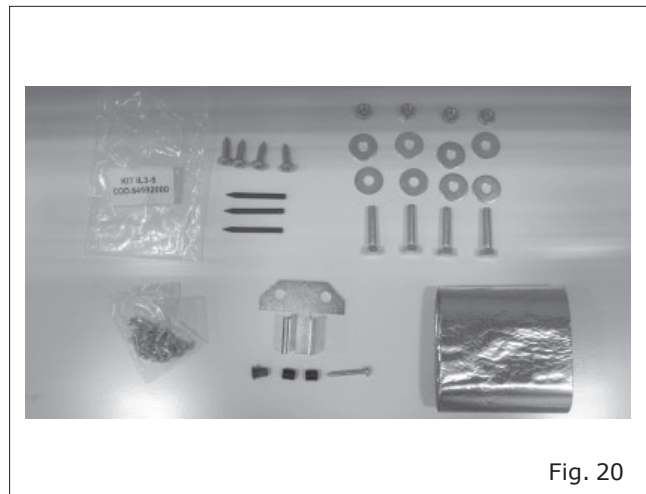
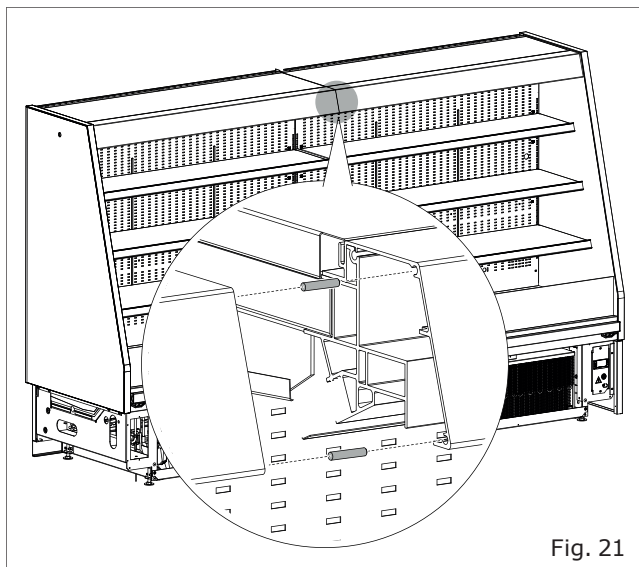


Fig. 20

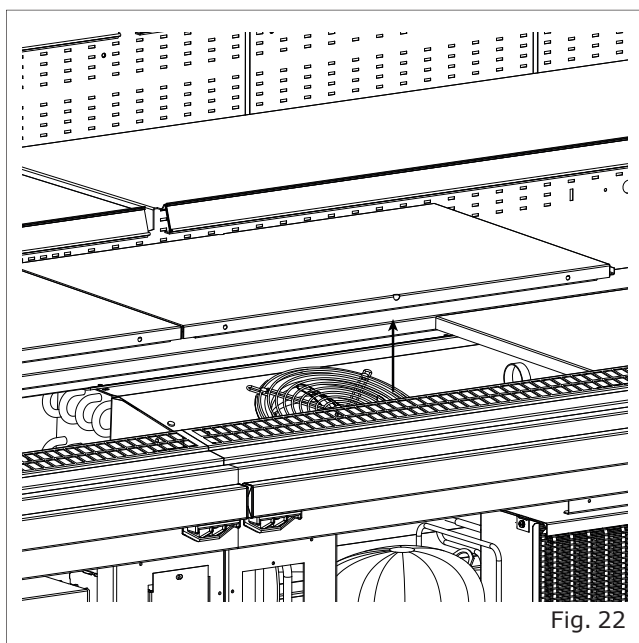
Model	OPERA KW, PEPPER	
Manufacturer	Epta Spa - Via Mecenate, 86 - 20138 Milano (MI) ITALIA Tel. 800-866-5596	10/24

Quick reference instruction

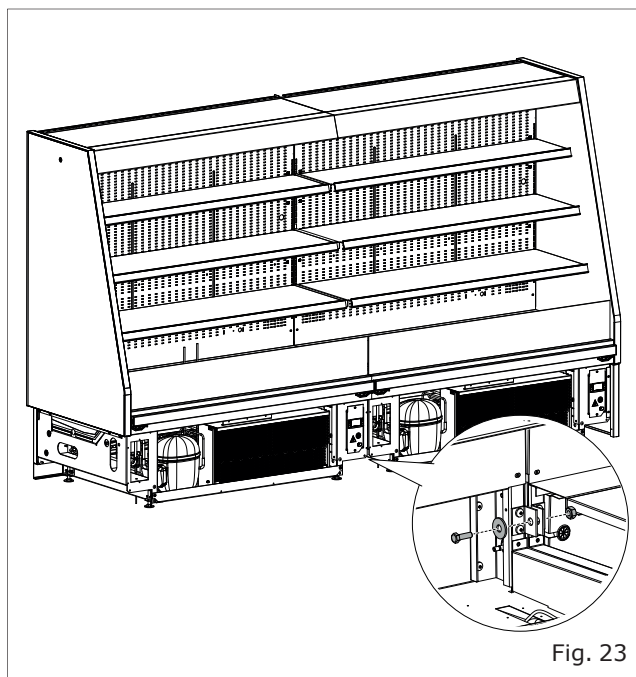
- Remove the top panels using the screwdriver (F).
- Screw the bolt, washer and nut using the ratchet wrench (C).
- Insert alignment pins



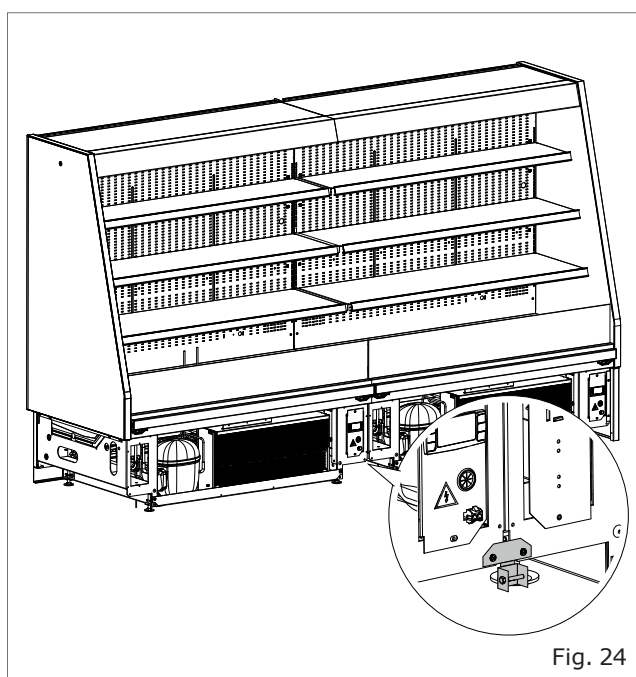
- Remove the deck pans.



- Screw the bolt, washer and nut using the ratchet wrench (C).



- Secure the coupling bracket by tightening the screws with the screwdriver (F).



Model	OPERA KW, PEPPER	
Manufacturer	Epta Spa - Via Mecenate, 86 - 20138 Milano (MI) ITALIA Tel. 800-866-5596	11/24

- Apply the aluminum tape included in the kit to the back case joint.

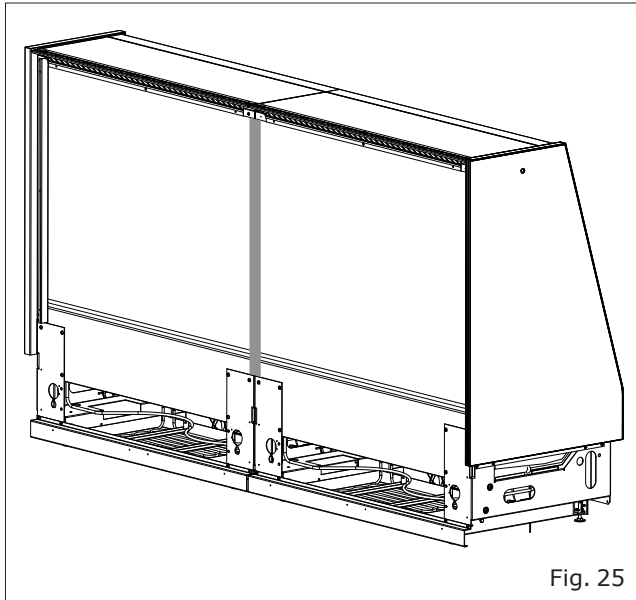


Fig. 25

- Fit the side fairings and the front fairing using the (F) screwdriver.

3.4 Electric connections

Connecting the sync cable

- Unscrew the screws that hold the electrical panels.
- Pull out the electrical panels.
- Connect the banks through the supplied cable to allow synchronization.

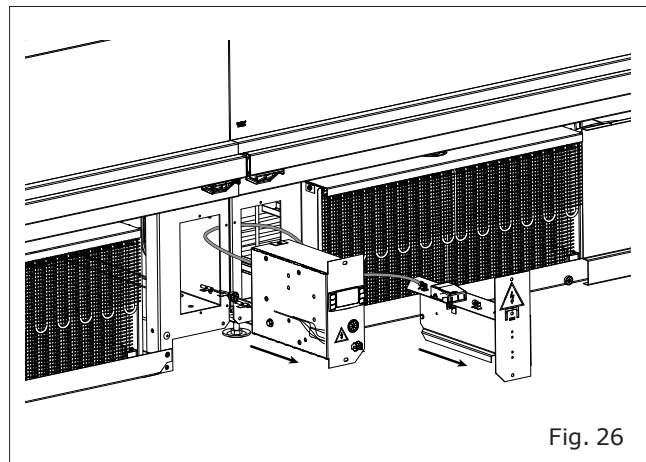


Fig. 26

- Reposition the electrical panels and fix them with the screws previously removed.

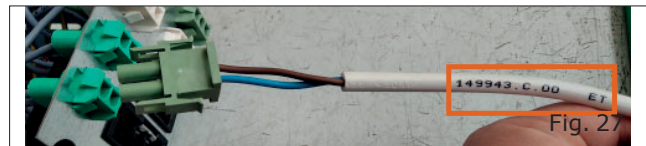


Fig. 27



Fig. 28

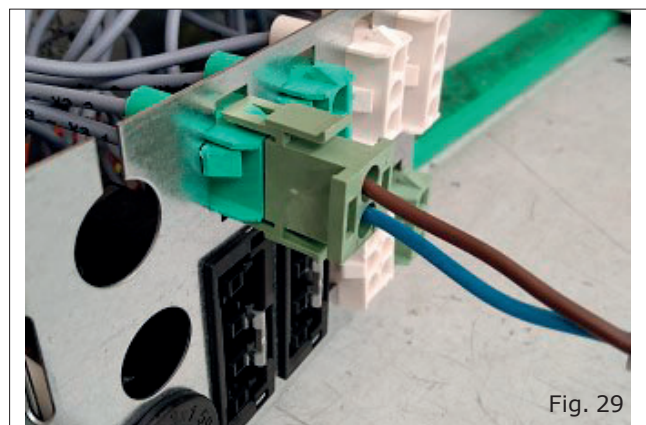
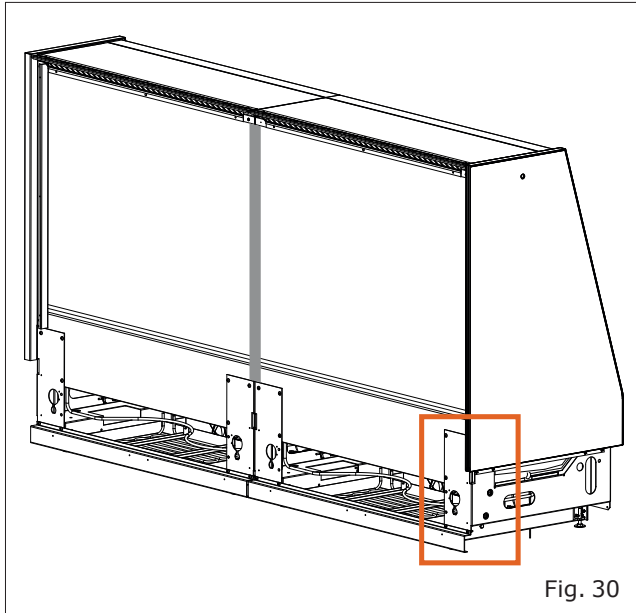


Fig. 29

Model	OPERA KW, PEPPER	
Manufacturer	Epta Spa - Via Mecenate, 86 - 20138 Milano (MI) ITALIA Tel. 800-866-5596	12/24

Quick reference instruction

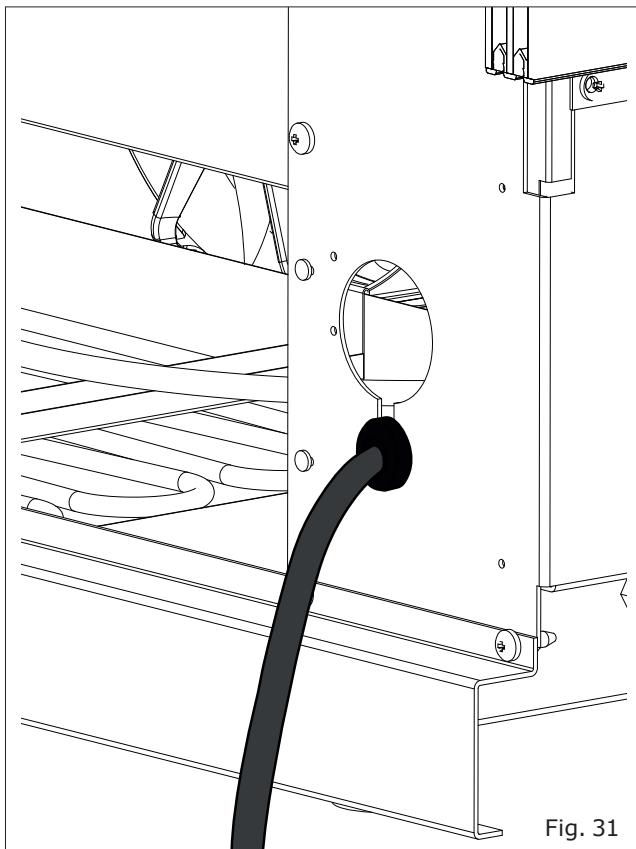
- Locking to the bench frame,



- Passage on the back panel.



The aesthetic rear panel is pre-cut, remove round knock out for the power cord to pass through.

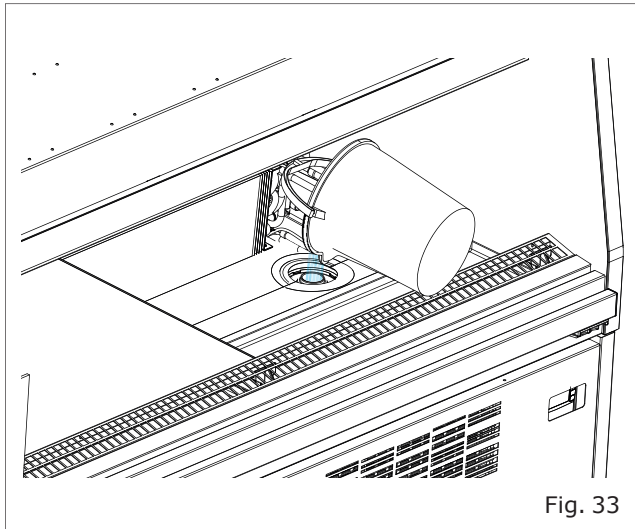


Model	OPERA KW, PEPPER	
Manufacturer	Epta Spa - Via Mecenate, 86 - 20138 Milano (MI) ITALIA Tel. 800-866-5596	13/24

3.5 Starting



Before starting the cabinet, fill the drain lines with water.



Model	OPERA KW, PEPPER	
Manufacturer	Epta Spa - Via Mecenate, 86 - 20138 Milano (MI) ITALIA Tel. 800-866-5596	14/24

Quick reference instruction

4. MAINTENANCE



Before carrying out maintenance operations, wear personal protective clothing and use means and tools suitable for the size and weight of the cabinet. Ensure the case is unplugged and receiving no power before performing electrical work.

4.1 Access to the electrical panel

- Remove the front fairing using the screwdriver (F).
- Remove the side fairing using the screwdriver (F).
- Remove the rear panel (optional) using the screwdriver (F).

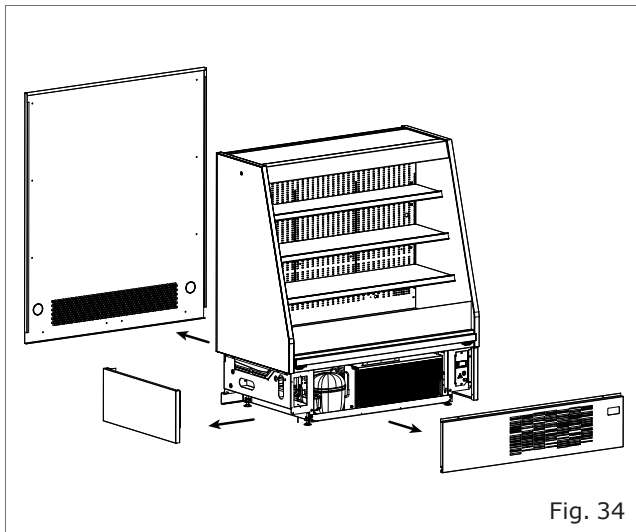


Fig. 34

- Unscrew the screws that hold the electrical panels.
- Remove the electrical panels.

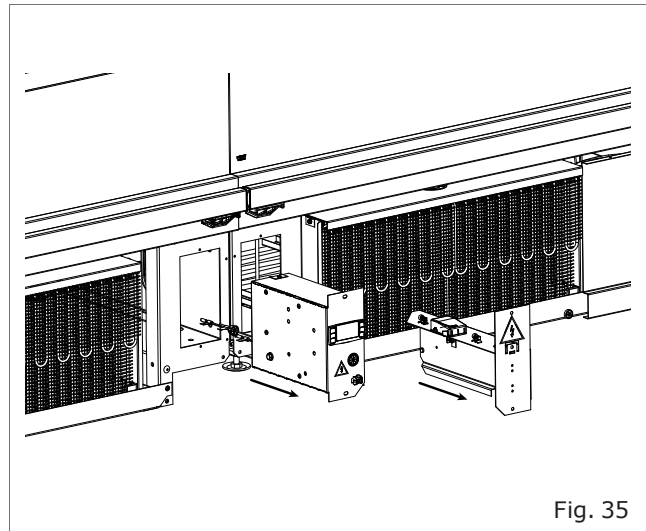


Fig. 35

4.2 Access to the condenser

- Remove the front fairing using the screwdriver (F).
- Remove the screws holding the condenser.
- Pull out the condenser.

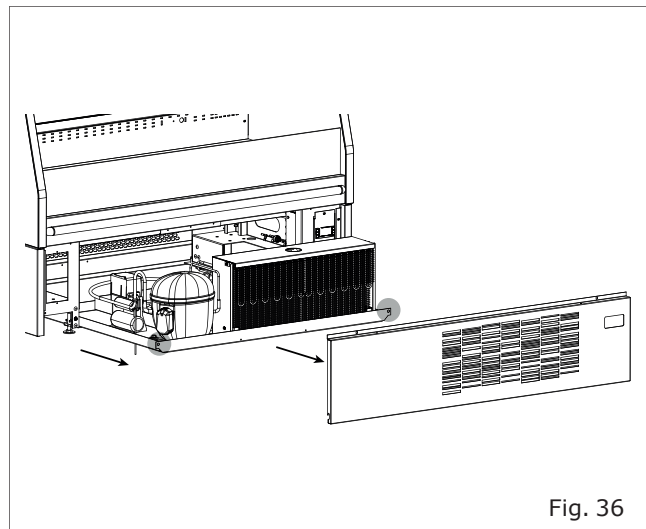


Fig. 36

Model	OPERA KW, PEPPER	
Manufacturer	Epta Spa - Via Mecenate, 86 - 20138 Milano (MI) ITALIA Tel. 800-866-5596	15/24

4.3 Probe position

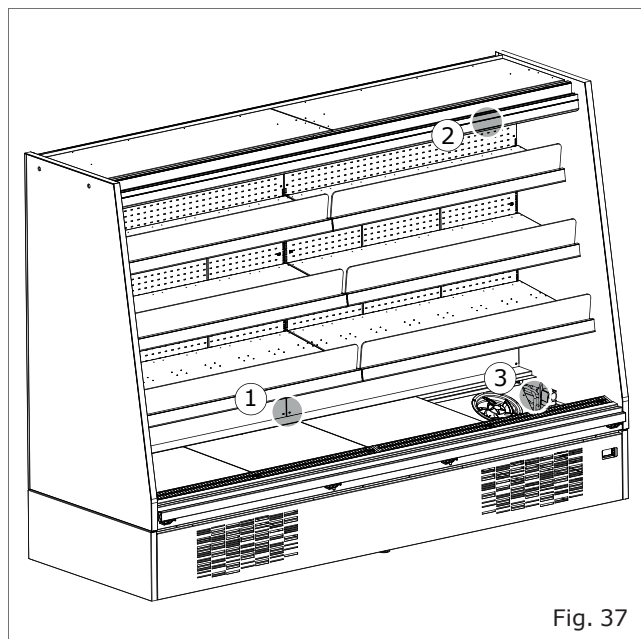


Fig. 37

- 1) Probe "AO" (air outlet)
- 2) Probe "AR" (air intake)
- 3) Probe "ED" (evaporator defrosting end)

4.4 Condenser fan replacement

- Remove the fan screws using the screwdriver (F).

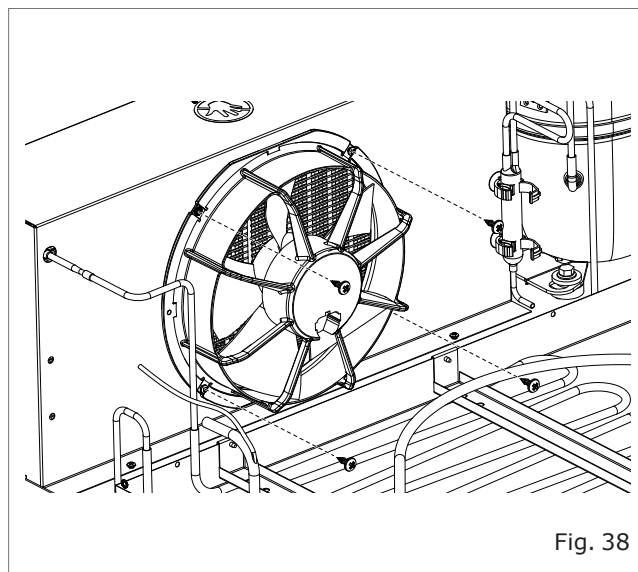


Fig. 38

- Remove the fan.
- Unplug the connector.

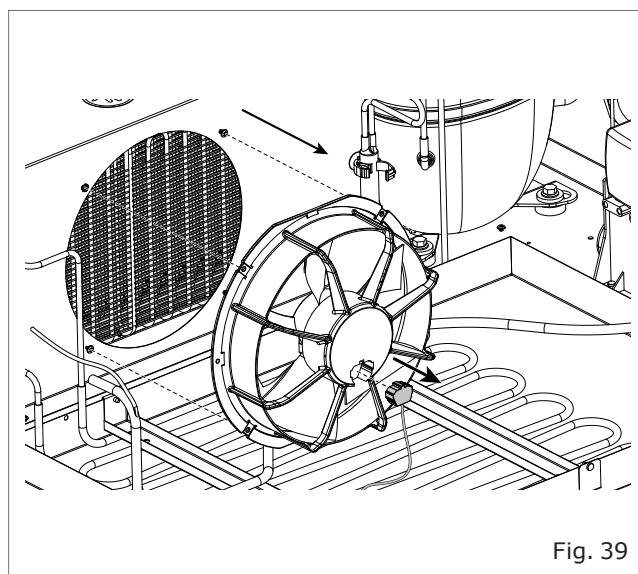


Fig. 39

- Replace the fan.
- Reverse the procedure to reassemble the fan.

Model	OPERA KW, PEPPER	
Manufacturer	Epta Spa - Via Mecenate, 86 - 20138 Milano (MI) ITALIA Tel. 800-866-5596	16/24

Quick reference instruction

4.5 Evaporator fan replacement

- Remove the deck pan to access the fan to be replaced.

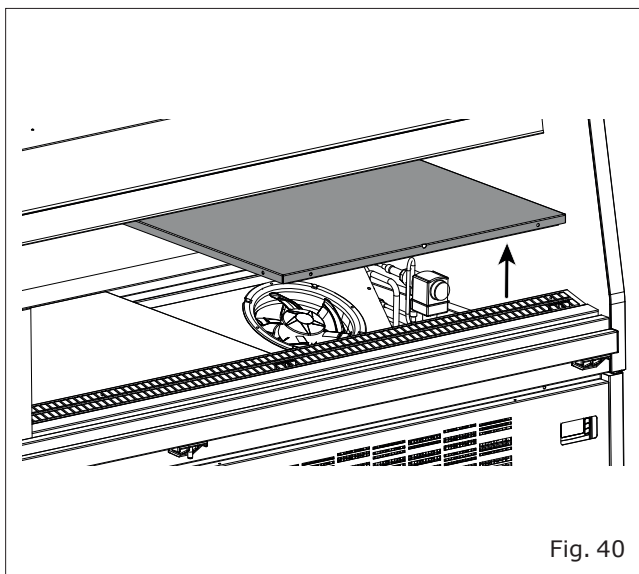


Fig. 40

- Remove the fan screws using the screwdriver (F).
- Unplug the connector.

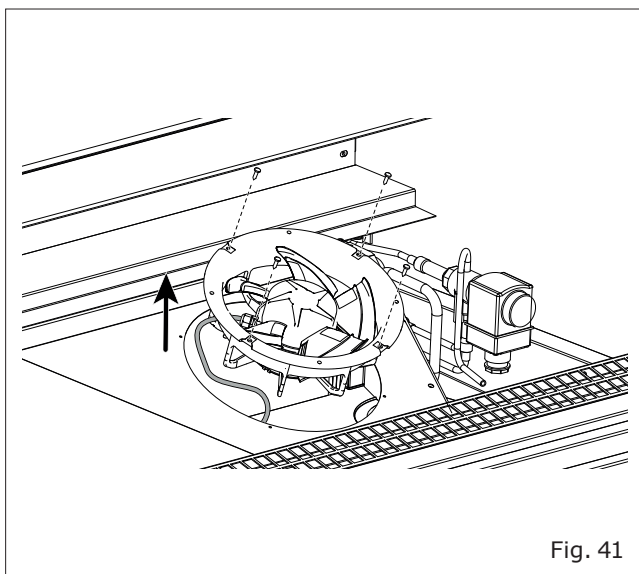


Fig. 41

- Replace the fan.

4.6 Lamp replacement

- Remove the lamp holder screws using the screwdriver (F).
- Disconnect the connector.
- Replace the lamp.

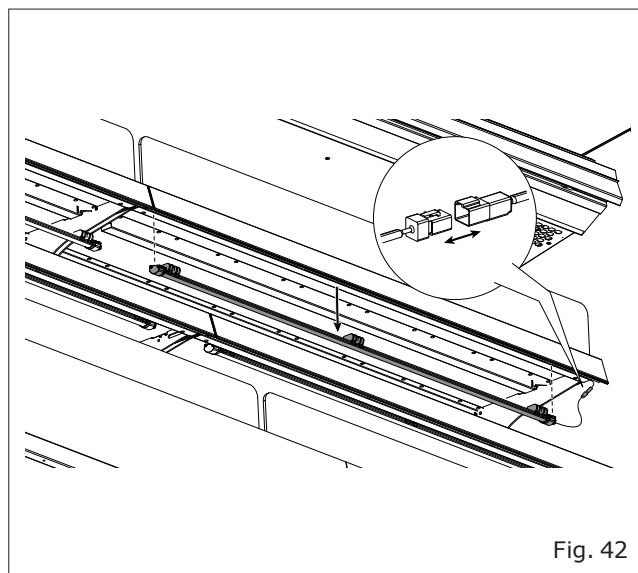


Fig. 42

4.7 Defrost heater replacement

- Remove the deck pans.

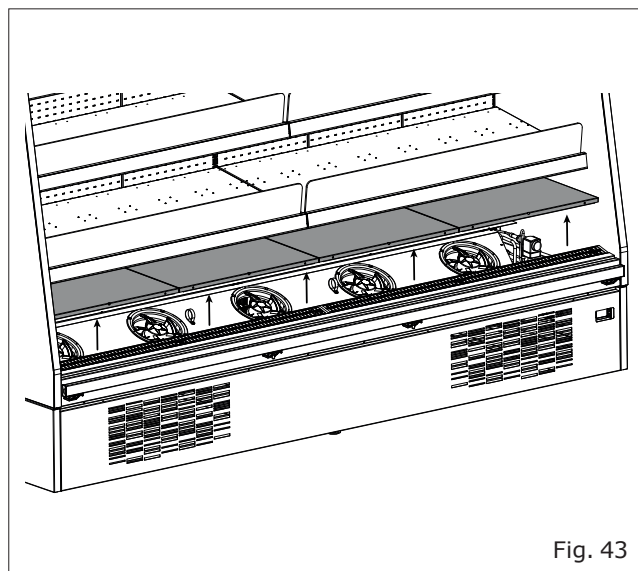


Fig. 43

Model	OPERA KW, PEPPER	
Manufacturer	Epta Spa - Via Mecenate, 86 - 20138 Milano (MI) ITALIA Tel. 800-866-5596	17/24

- Remove the back cover.

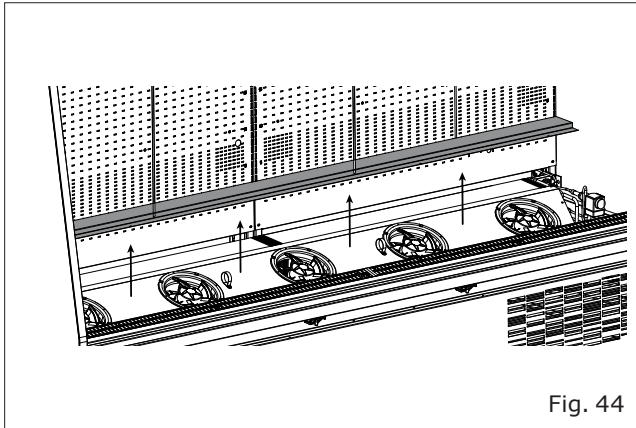


Fig. 44

- Remove the screws of the fan holder using the screwdriver (F).
- Remove the fan holder.

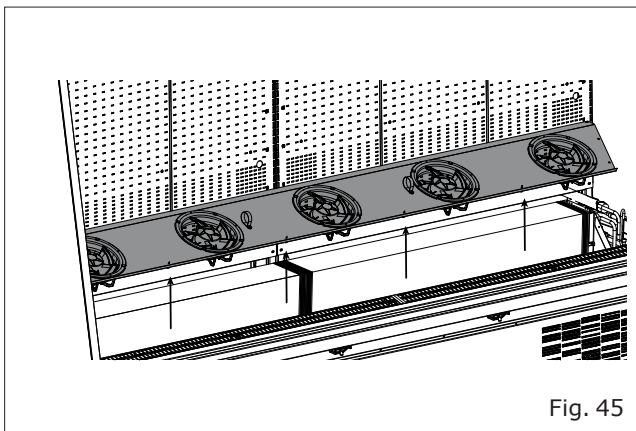


Fig. 45

- Replace the heater by detaching the hooks from the evaporator.

Model	OPERA KW, PEPPER	
Manufacturer	Epta Spa - Via Mecenate, 86 - 20138 Milano (MI) ITALIA Tel. 800-866-5596	18/24

Quick reference instruction

Model	OPERA KW, PEPPER	
Manufacturer	Epta Spa - Via Mecenate, 86 - 20138 Milano (MI) ITALIA Tel. 800-866-5596	19/24

Quick reference instruction

5. SETTINGS

-	Param	Par	Max	U/M	Default	Opera-KW SV OPEN L937	Opera-KW SV OPEN L1250
Set point	SET	LS	US	°F	-5	27	27
Regulation	"CP"						
Differential	Hy	0.1	25.5	°F	2	39	39,2
Minimum set point	LS	-100	SET	°F	-50	14	14
Maximum set point	US	SET	110	°F	110	50	50
Thermostat probe calibration	Ot	-12	12	°F	0	0	0
Evaporator probe presence	P2P	n	Y	-	Y	Y	Y
Evaporator probe calibration	OE	-12	12	°F	0	0	0
Third probe presence	P3P	n	Y	-	n	n	n
Third probe calibration	O3	-12	12	°F	0	0	0
Fourth probe presence	P4P	n	Y	-	n	Y	Y
Fourth probe calibration	O4	-12	12	°F	0	0	0
Outputs activation delay at start up	OdS	0	255	min	0	0	0
Anti-short cycle delay	AC	0	50	min	1	3	3
P1-P2 percentage for regulation (100=P1, 0=P2)	rtr	0	100	%	100	100	100
Compressor ON time during fast freezing	CCt	0.0	0.0	hrs	0	0	0
Set point for continuous cycle	CCS	-100	150	°F	-5	23	23
Compressor ON time with faulty probe	CO _n	0	255	min	15	15	15
Compressor OFF time with faulty probe	CO _F	0	255	min	30	30	30
Display	-						
Temperature measurement unit	CF	°C	°F	-	°C	°F	°F
Resolution (integer/decimal point)	rES	in	DE	-	dE	dE	dE
Local display	Lod	P1	P2	-	P1	P4	P4
X-REP display (P1 - P2 - P3 - P4 - SEt - dtr)	rEd2	P1	dtr	-	P1	P4	P4
Display temperature delay	dLy	0	20	min	0	0	0
P1-P2 percentage for display	dtr	1	99	%	50	100	100
Defrost	-						
Kind of interval for defrost	EdF	rtc	in	-	rtc	In	In
Defrost type (EL=el. heater; in=hot gas)	tdF	EL	in	-	El	El	El
Probe selection for defrost termination (nP; P1; P2; P3; P4)	dFP	nP	P4	-	P2	P2	P2
Probe selection for second defrost termination (nP; P1; P2; P3; P4)	dSP	nP	P4	-	P2	P2	P2
Defrost termination temperature	dtE	-50	50	°F	8	50	50
Second defrost termination temperature	dtS	-50	50	°F	8	50	50

Model	OPERA KW, PEPPER	
Manufacturer	Epta Spa - Via Mecenate, 86 - 20138 Milano (MI) ITALIA Tel. 800-866-5596	20/24

Quick reference instruction

-	Param	Par	Max	U/M	Default	Opera-KW SV OPEN L937	Opera-KW SV OPEN L1250
Defrost	-						
(Maximum) lenght for 1° defrost	Mdf	0	255	min	30	45	45
(Maximum) lenght for 2° defrost	MdS	0	255	min	30	45	45
Start defrost delay	dSd	0	99	min	0	0	0
Displaying during defrost (rt, it, SEt, DEF)	dFd	rtc	DEF	-	it	DEF	DEF
MAX display delay after defrost	dAd	0	255	min	30	10	10
Draining time	Fdt	0	120	min	0	2	2
First defrost after start up (n=after IdF; y=immed.)	dPO	n	y	-	n	n	n
Defrost after fast freezing	dAF	0	23	hrs	0	0	0
Fans	-						
Fans operating mode (C-n, o-n, C-y, o-Y)	FnC	C-n	o-Y	-	O-n	O-y	O-y
Fans delay after defrost	Fnd	0	255	min	10	2	2
Differential of temperature for forced activation of fans	Fct	0	50	°F	10	50	50
Fans stop temperature	FSt	-50	50	°F	2	36	36
Fan on time with compressor off	Fon	0	15	min	0	0	0
Fan off time with compressor off	FoF	0	15	min	0	0	0
Probe selection for fan management (nP; P1; P2; P3; P4)	FAP	nP	P4	-	P2	nP	nP
Auxiliary thermostat configuration	-						
Kind of action for auxiliary relay	ACH	CL	Ht	-	cL	cL	cL
Set Point for auxiliary relay	SAA	-100	110	°F	0	0	0
Differential for auxiliary relay	Shy	0,1	25.5	°F	2	2	2
Probe selection for auxiliary relay (nP; P1; P2; P3; P4)	ArP	nP	P4	-	nP	nP	nP
Auxiliary relay operating during defrost	Sdd	n	y	-	n	n	n
Alarms	-						
Alarm probe selection (nP; P1; P2; P3; P4)	ALP	nP	P4	-	P1	P1	P1
Temperature alarms configuration (rE= related to set; Ab = absolute)	ALC	rE	Ab	-	Ab	Ab	Ab
MAXIMUM temperature alarm	ALU	SET	110	°F	110	50	50
minimum temperature alarm	ALL	-100	SET	°F	-50	14	14
Temperature alarm and fan differential	AFH	0,1	25,5	°F	2	1	1
temperature alarm delay	Ald	0	255	min	15	30	30
Delay of temperature alarm at start up	dAO	0	23	hrs	1,3	1,3	1,3

Model	OPERA KW, PEPPER	
Manufacturer	Epta Spa - Via Mecenate, 86 - 20138 Milano (MI) ITALIA Tel. 800-866-5596	21/24

Quick reference instruction

-	Param	Par	Max	U/M	Default	Opera-KW SV OPEN L937	Opera-KW SV OPEN L1250
Condenser temperature alarm	-						
Probe for temperat. alarm of condenser (nP; P1; P2; P3; P4)	AP2	nP	P4	-	P4	nP	nP
Condenser for low temperat. Alarm	AL2	-100	150	°F	-40	-40	-40
Condenser for high temperat. Alarm	AU2	-100	150	°F	110	110	110
Differ. for condenser temp. alar. Recovery	AH2	0,1	25,5	°F	5	5	5
Condenser temperature alarm delay	Ad2	0	254	min	15	10	10
Delay of cond. temper. alarm at start up	dA2	0.0	23	hrs	1,3	1,3	1,3
Compr. off for condenser low temperature alarm (n(0) - Y(1))	bLL	n	Y	-	n	n	n
Compr. off for condenser high temperature alarm (n(0) - Y(1))	AC2	n	Y	-	n	n	n
Auxiliary relay	-						
Second relay configuration (ALr = alarm; dEF = do not select it; Lig =Light; AUS =AUX; onF=always on; Fan= do not select it; db = neutral zone; cP2 = second compressor; dF2 = do not select it; HES = night blind)	oA2	Alr	HES	-	Lig	Fan	Fan
Alarm relay disabling	tbA	n	y	-	y	y	y
Fourth relay configuration (ALr = alarm; dEF = do not select it; Lig =Light; AUS =AUX; onF=always on; Fan= do not select it; db = neutral zone; cP2 = second compressor; dF2 = do not select it; HES = night blind)	oA3	Alr	HES	-	Lig	Alr	CP2
Alarm relay polarity (oA3=ALr)	AoP	oP	cL	-	cL	cL	cL

Model	OPERA KW, PEPPER	
Manufacturer	Epta Spa - Via Mecenate, 86 - 20138 Milano (MI) ITALIA Tel. 800-866-5596	22/24

Quick reference instruction

-	Param	Par	Max	U/M	Default	Opera-KW SV OPEN L937	Opera-KW SV OPEN L1250
Digital inputs							
Digital input polarity (18-20)	i1P	oP	cL	-	cL	cL	cL
Digital input 1 configuration (18-20) (oP=opening;CL=closing)	i1F	oP	CL	-	dor	dor	dor
Digital input polarity (18-19)	i2P	dor	dEF	-	cL	cL	cL
Digital input configuration (18-19) (oP=opening;CL=closing)	i2F	oP	CL	-	EAL	EAL	EAL
Digital input alarm delay (18-20) (EAL - bAL- PAL - dor - dEF - ES - AUS - Htr - FAn - HdF - onF)	did	EAL	onF	-	15	15	15
Door open alarm delay	doA	0	255	min	15	15	15
Number of activation of pressure switch	nPs	0	255	min	15	15	15
Compress and fan status when open	odc	0	15	-	F-c	F-c	F-c
Regulation restart with door open alarm (no; Fan; CPr; F_C)	rrd	no	F_C	-	y	y	y
Differential for Energy Saving	HES	-54	54	°F	32	32	32
Current time an weekly holidays							
Current hour	Hur	-30	30	hrs	-	Set in field	Set in field
Current minute	Min	0	23	min	-		
Current day	dAY	0	59	-	-		
First weekly holiday	Hd1	Sun	nu	-	nu		
Second weekly holiday	Hd2	Sun	nu	-	nu		
Energy saving times							
Energy saving cycle start during workdays	ILE	0	23h50	hrs	0	Set in field	Set in field
Energy saving cycle length during workdays	dLE	0	24	hrs	0		
Energy saving cycle start on holidays	ISE	0	23h50	hrs	0		
Energy saving cycle length during holidays	Dse	0	24	hrs	0		

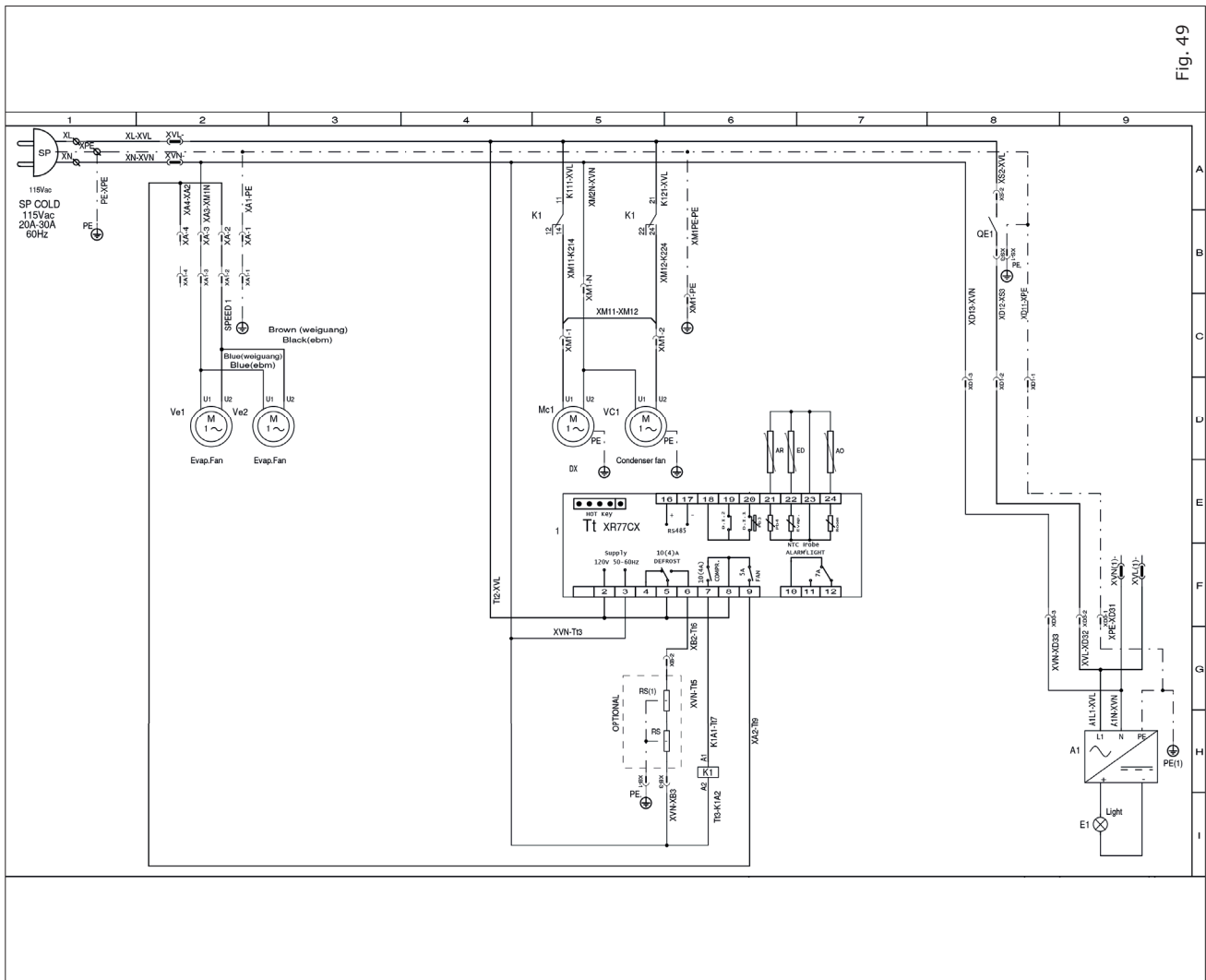
Model	OPERA KW, PEPPER	
Manufacturer	Epta Spa - Via Mecenate, 86 - 20138 Milano (MI) ITALIA Tel. 800-866-5596	23/24

Quick reference instruction

-	Param	Par	Max	U/M	Default	Opera-KW SV OPEN L9370	Opera-KW SV OPEN L1250
Defrost times							
1st workday defrost start (0 ÷ 23h 50 min. - nu)	Ld1	0	nu	hrs	6.0	Set in field	Set in field
2nd workday defrost start (0 ÷ 23h 50 min. - nu)	Ld2	0	nu	hrs	13.0		
3rd workday defrost start (0 ÷ 23h 50 min. - nu)	Ld3	0	nu	hrs	21.0		
4th workday defrost start (0 ÷ 23h 50 min. - nu)	Ld4	0	nu	hrs	nu		
5th workday defrost start (0 ÷ 23h 50 min. - nu)	Ld5	0	nu	hrs	nu		
6th workday defrost start (0 ÷ 23h 50 min. - nu)	Ld6	0	nu	hrs	nu		
1st holiday defrost start (0 ÷ 23h 50 min. - nu)	Sd1	0	nu	hrs	6.0		
2nd holiday defrost start (0 ÷ 23h 50 min. - nu)	Sd2	0	nu	hrs	13.0		
3rd holiday defrost start (0 ÷ 23h 50 min. - nu)	Sd3	0	nu	hrs	21.0		
4th holiday defrost start (0 ÷ 23h 50 min. - nu)	Sd4	0	nu	hrs	nu		
5th holiday defrost start (0 ÷ 23h 50 min. - nu)	Sd5	0	nu	hrs	nu		
6th holiday defrost start (0 ÷ 23h 50 min. - nu)	Sd6	0	nu	hrs	nu		
Other							
Serial address	Adr	1	247	-	1	Set in field	Set in field
Probe type selection	PbC	Pt1000	ntc	-	NTC	NTC	NTC
On / Off function enabled	OnF	nu	ES	-	nu	Set in field	Set in field
Room probe display	dP1	-	-	-	-	read only	read only
Evaporator probe display	dP2	-	-	-	-		
Third probe display	dP3	-	-	-	-		
Fourth probe display	dP4	-	-	-	-		
Real set	rSE	-	-	-	-		
Software release	rEL	-	-	-	2,6		
Map code	Ptb	-	-	-	24		

Model	OPERA KW, PEPPER	
Manufacturer	Epta Spa - Via Mecenate, 86 - 20138 Milano (MI) ITALIA Tel. 800-866-5596	24/24

Quick reference instruction



***SECTION 3:
USER MANUAL***

Model	OPERA KW, PEPPER	
Manufacturer	Epta Spa - Via Mecenate, 86 - 20138 Milano (MI) ITALIA Tel. 800-866-5596	2/23

User manual

CONTENT

1.	Introduction	3
2.	Safety warnings	4
2.1	Warnings for cabinets that use R290 (propane)	4
2.2	General warnings	4
2.3	Warnings for cabinet maintenance	5
2.4	Electrical warnings	6
2.5	Prohibitions	6
3.	General description	7
3.1	Sections	8
4.	Transportation of the cabinet	9
5.	Ambient conditions	10
6.	Technical features	11
7.	Use of cabinet	12
8.	Ordinary maintenance	15
8.1	Cleaning the cabinet	15
9.	User indications	17
9.1	Description of the cabinet	17
9.2	Transport and handling	17
9.3	Receipt and storage	17
9.4	Installation and ambient conditions	18
9.5	Electrical connection	18
9.6	Technical features	18
9.7	Loading the product	18
9.8	Use of cabinet	19
9.9	Cleaning and ordinary maintenance	19
9.10	Emergency situations	20
9.11	Technical assistance	21
9.12	Dismantling and elimination	21
10.	Supplementary general warnings	22

SYMBOLS USED



Prohibition symbol: it prohibits the carrying out of specific operations.



Attention symbol: accident prevention rules for the operator.



Warning symbol: there is the possibility of damaging the cabinet and/or its components.



Note symbol: it provides useful information.

Model	OPERA KW, PEPPER	
Manufacturer	Epta Spa - Via Mecenate, 86 - 20138 Milano (MI) ITALIA Tel. 800-866-5596	3/23

1. INTRODUCTION

It is recommended to attentively read the content of this Manual and keep it together with the cabinet.

The manufacturer shall not be held liable for any harm caused to people or damage to property due to the failure to observe the warnings contained in this Manual.



The Manual contains information considered necessary for the good use and operation of the cabinet.

Inside you will find the following descriptions and information:

- a functional description of the cabinet and each of its parts
- information on the safety of the cabinet and the safety rules to follow
- a correct use of the cabinet
- a correct ordinary and programmed maintenance, including cleaning operations

Information not contained in this Manual:

- Installation instructions

For the correct installation of the cabinet refer to the following documents:

- Technical Manual
- Quick Reference Instructions

This Manual is for the following professional figures:

- **QUALIFIED OPERATOR:** a qualified person, educated to operate, regulate, clean and carry out ordinary maintenance on the cabinet
- **SPECIALISED TECHNICIAN** a technician trained and authorised by the body indicated in the contract (manufacturer/concessionaire/distributor) to carry out: installation, non-routine maintenance, repair, replacement and overhaul of the cabinet

Instructions for use are also available on: www.eptarefrigeration.com.

Make reference to the declaration of conformity for the regulations and certifications of the cabinet.

Always keep the instruction booklet and in case of sale.

Model	OPERA KW, PEPPER	
Manufacturer	Epta Spa - Via Mecenate, 86 - 20138 Milano (MI) ITALIA Tel. 800-866-5596	4/23

2. SAFETY WARNINGS

2.1 Warnings for the appliances that use R290 (propane)



Propane is a natural gas with a low environmental impact, but it is flammable. It is therefore essential to ensure that all the pipes of the cooling circuit are not damaged, before connecting the cabinet to the power supply. The location in which the cabinet is installed must have a minimum volume of 1 m³ for every 8g of refrigerant. The quantity of refrigerant of the cabinet is indicated on the technical data plate positioned on the cabinet. In case of leakage of refrigerant ensure that open flames or sources of ignition are not near the leak point.



Do not damage the refrigeration circuit.



In order to reduce flammability-related risks, this cabinet may only be installed by suitably qualified personnel.

2.2 General warnings



The manufacturer disclaims any liability for damage caused to people or property due to the failure to observe the warnings contained in this manual. Any person who uses this cabinet must read this user manual.



The employer must educate staff on the risks of accidents, on the devices arranged for staff safety, on the risks of noise emission and on the general safety rules provided for by the rules in force.



The cabinet must be used by adults in possession of the necessary knowledge and whose physical, sensory or mental abilities are not impaired; the cabinet is not designed for use by minors (in particular from 0 to 3 years). Children, under the supervision and responsibility of adults, must not play with the cabinet.



Any other use not explicitly indicated in this manual is considered dangerous and the manufacturer cannot be held liable for any damage deriving from improper, wrong and unreasonable use.



The cabinet must be used by staff equipped with the appropriate personal protection equipment.



It is compulsory to use work gloves.



Do not leave the cabinet exposed to weathering agents



Do not use direct or indirect jets of water on the cabinet.





Do not touch the cabinet with wet or damp hands and feet; do not use the cabinet with bare feet.





The removal of protection devices or panels that require the use of tools to be removed is reserved exclusively for qualified personnel.


Model	OPERA KW, PEPPER	
Manufacturer	Epta Spa - Via Mecenate, 86 - 20138 Milano (MI) ITALIA Tel. 800-866-5596	5/23


 For assembling dedicated optional accessories, contact Kysor Warren.


 Each service or repair must be carried out exclusively by qualified personnel and, in every case, before each service or repair the power supply of the cabinet must be disconnected.


 Instruct anyone who uses the cabinet on the location of the disconnecter switch.


 Thermostat adjustment is reserved for the technical after-sales service only.


 Pay attention to the hot or moving parts marked with the appropriate symbol.


 In case of fire, do not use water to put out the flames but only dry fire extinguishers


 Do not damage the refrigeration circuit.

 Avoid fire or sparks inside the appliance.


 Keep the ventilation openings in the appliance housing free from obstructions.


 Do not use electrical appliances inside the compartments of the appliance for the preservation of frozen foods if these are not the type recommended by the manufacturer.


 Do not store explosive or dangerous substances, such as containers under pressure with flammable propellant, in this appliance.


 Do not place liquid containers and do not pour liquids on the counter.

2.3 Warnings for cabinet maintenance

 Access to the electrical parts and/or parts that require the use of tools is reserved for specialist technicians.

 Prior to any maintenance and cleaning operation reserved for the user, turn off the cabinet using the wall-mounted disconnecter switch.


 Pay attention to the hot or moving parts marked with the appropriate symbol.


 It is compulsory to use work gloves.


Model	OPERA KW, PEPPER	
Manufacturer	Epta Spa - Via Mecenate, 86 - 20138 Milano (MI) ITALIA Tel. 800-866-5596	6/23


User manual


2.4 Electrical warnings


 Ensure that the power voltage corresponds to the rating plate of the cabinet.


 The electrical installation must be carried out in a competent manner by specialised technicians.


 The removal of the cover of the electrical panel is reserved for specialist technicians.

 In compliance with the installation rules, the power supply must include an omnipolar disconnection device, which ensures complete disconnection from the network in overvoltage category III conditions.


 The cabinet must be installed following the instructions of the manufacturer, by professionally qualified staff and in compliance with the rules on electrical systems in force in individual Countries.


 A wrong cabinet installation can cause damage to people, animals or property, for which the manufacturer cannot be held liable.


 If the power cord is damaged, it must be replaced by authorized service personnel. Do not attempt to repair the cable.


 Do not power the cable if it is damaged. If in doubt, contact the after-sales service or your dealer.


2.5 Prohibitions


 It is forbidden to use devices in addition to those provided in the cabinet by the manufacturer to accelerate the defrosting process.


 It is forbidden for unskilled staff to remove the cover of the electrical panel or open panels that require the use of tools.


 It is forbidden to use the cabinet for the preservation and/or display of explosive, flammable or corrosive substances, such as spray cans containing a flammable propellant.

 It is forbidden to use the cabinet for the preservation and/or display of pharmaceutical products.

 In case of PRODUCTS NOT PACKAGED OR PRESERVED AT LOW TEMPERATURE, it is prohibited to use the cabinet for the preservation and/or display of bottles and packages in glass.

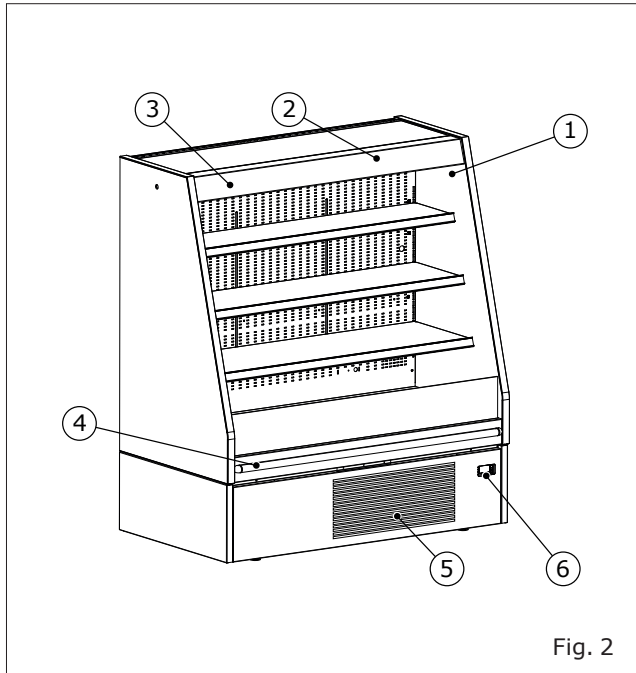
 It is forbidden to place the cabinet in areas with the presence of explosive gaseous substances.

 It is forbidden to remove the identification plate from the cabinet.

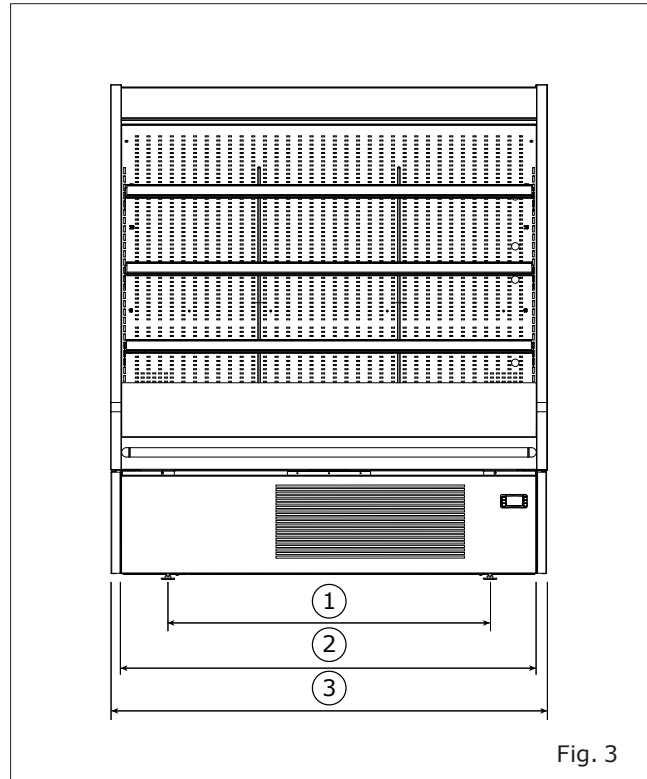
 It is forbidden to get on the cabinet or on the cabinet bumper. Do not climb, sit stand, etc. on the cabinet.

Model	OPERA KW, PEPPER	
Manufacturer	Epta Spa - Via Mecenate, 86 - 20138 Milano (MI) ITALIA Tel. 800-866-5596	7/23

3. GENERAL DESCRIPTION



- 1. Rating plate
- 2. Upper lighting
- 3. Night blinds
- 4. Bumper rail
- 5. Condenser area
- 6. Control panel

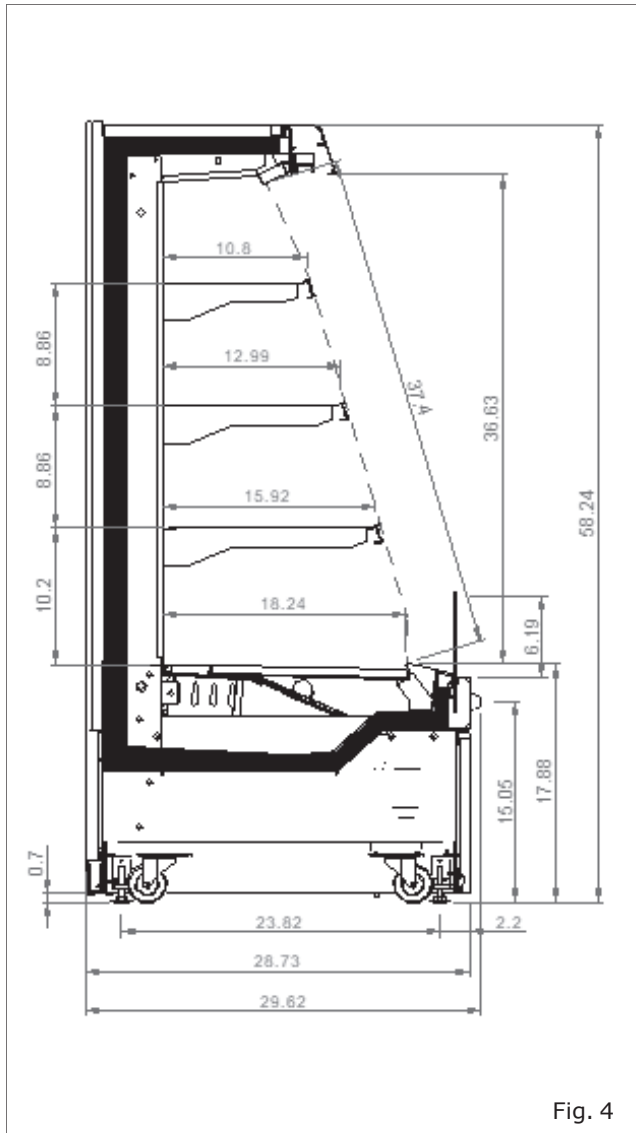


Reference	Length (in)	Length (mm)
1	25.78 - 38.11	655 - 968
2	36.85 - 49.17	936 - 1249
3	39.21 - 51.54	996 - 1309

Model	OPERA KW, PEPPER	
Manufacturer	Epta Spa - Via Mecenate, 86 - 20138 Milano (MI) ITALIA Tel. 800-866-5596	8/23

User manual

3.1 Sections



Model	OPERA KW, PEPPER	
Manufacturer	Epta Spa - Via Mecenate, 86 - 20138 Milano (MI) ITALIA Tel. 800-866-5596	9/23

4. TRANSPORTATION OF THE CABINET



1. Lifting points : 70 cm = 27.56 in

Chart I

Length	Weight (kg)	Weight (lb)	Weight with packaging (kg)	Weight with packaging (lb)
937	210	463	240	529
1250	240	529	270	595

Model	OPERA KW, PEPPER	
Manufacturer	Epta Spa - Via Mecenate, 86 - 20138 Milano (MI) ITALIA Tel. 800-866-5596	10/23

5. AMBIENT CONDITIONS

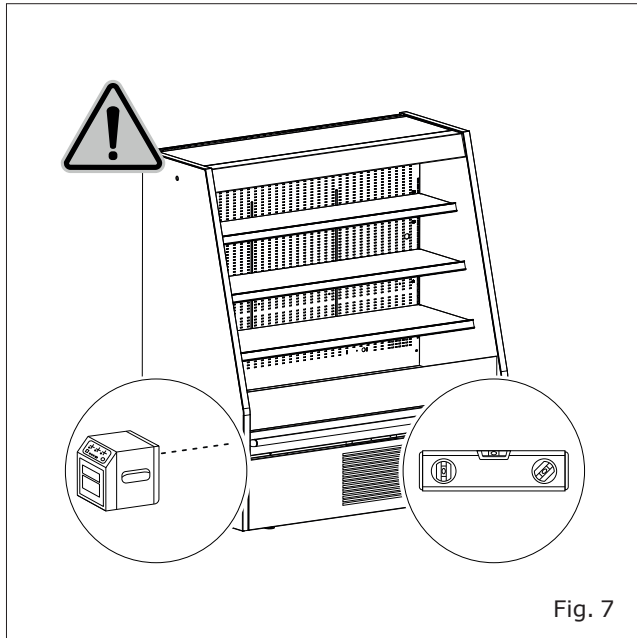


Fig. 7

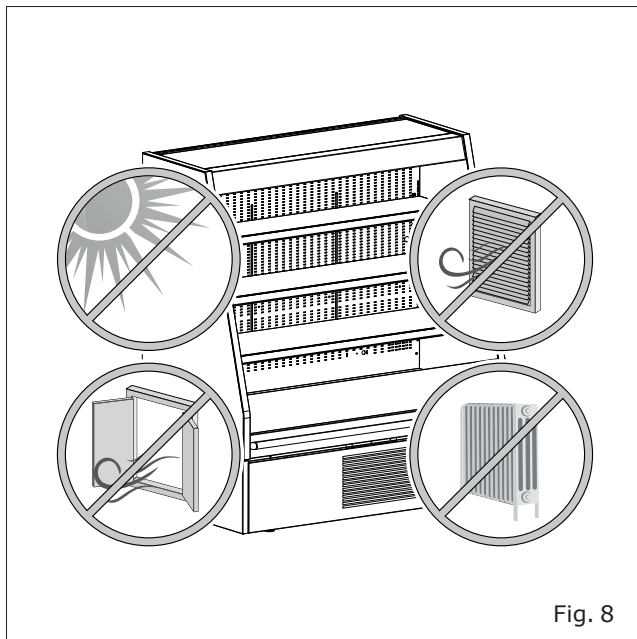


Fig. 8

Chart II

Characteristics	
Type of premises	Closed
Temperature	24°C/75°F
Relative humidity	55 %
Lighting	800 lx

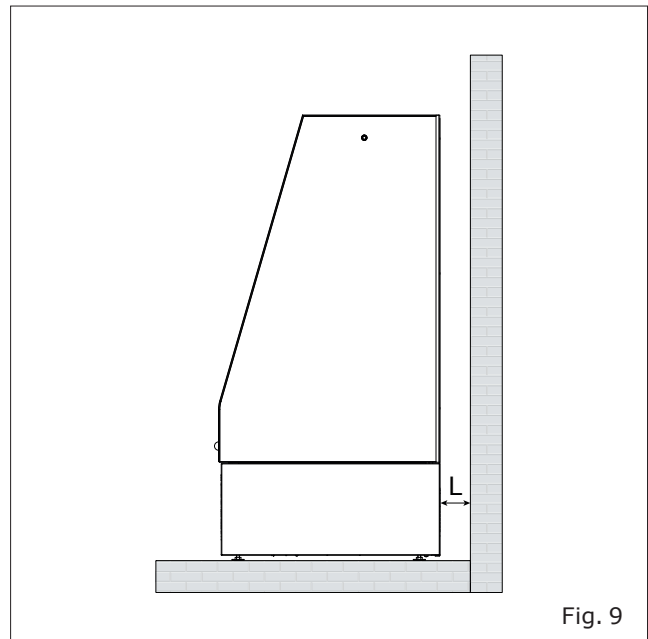


Fig. 9

L = 3.9in / 100mm

Model	OPERA KW, PEPPER	
Manufacturer	Epta Spa - Via Mecenate, 86 - 20138 Milano (MI) ITALIA Tel. 800-866-5596	11/23

6. TECHNICAL FEATURES













			
1. _____ 2. _____		SN  13	 14
3. _____ 4. _____ 5. _____ 6. _____		REF  15	 16
RATED BEMESSUNG ASSIGNÉ NOMINALE NOMINAL	7. _____ 8. _____	REFRIGERANT KÄLTEMITTEL RÉFRIGÉRANT REFRIGÉRANTE	17. _____ 18. _____ 19. _____ 20. _____
DEFROSTING ABTAUUNG DÉGIVRAGE SBRINAMENTO DESCONGELAMIENTO	9. _____	CLIMATIC CLASS KLIMAKLASSE CLASSE CLIMATIQUE CLASSE CLIMATICA CLASSE CLIMÁTICA	21. _____
HEATING SYSTEMS HEIZUNGSSYSTEME SYSTEMES CHAUFFANTS SISTEMI DI RISCALDAMENTO SISTEMA DE CALEFACCIÓN	10. _____	INSULATION BLOWING GAS ISOLATIONSGAS (BLÄHGAS) AGENT MOUSSANT D' ISOLATION GAS ESPANDENTE ISOLAMENTO AGENTE ESPUMANTE	22. _____
	11. _____	PROTECTION INDEX SCHUTZART INDEX DE LA PROTECTION INDICE DI PROTEZIONE ÍNDICE DE PROTECCIÓN	23. _____
 Read Operator's Manual available at www.eptarefrigeration.com or calling +39 0437 968379		24. _____	  

Fig. 10

- | | |
|-----------------------------------|---------------------------|
| 1. Origin of the product | 14. Date of production |
| 2. Product in "Country of origin" | 15. Hat Code |
| 3. Rated voltage | 16. Model |
| 4. Rated power | 17. Type of refrigerant 1 |
| 5. Rated frequency | 18. Refrigerant mass 1 |
| 6. Rated current | 19. Type of refrigerant 2 |
| 7. Defrosting power | 20. Refrigerant mass 2 |
| 8. Defrosting current | 21. Climate class |
| 9. Heating system | 22. Gas isolation |
| 10. Lighting system | 23. Protection index |
| 11. Operator manual | 24. Certification brands |
| 12. Barcode | |
| 13. Serial number | |



Warning: it contains flammable refrigerant gas.

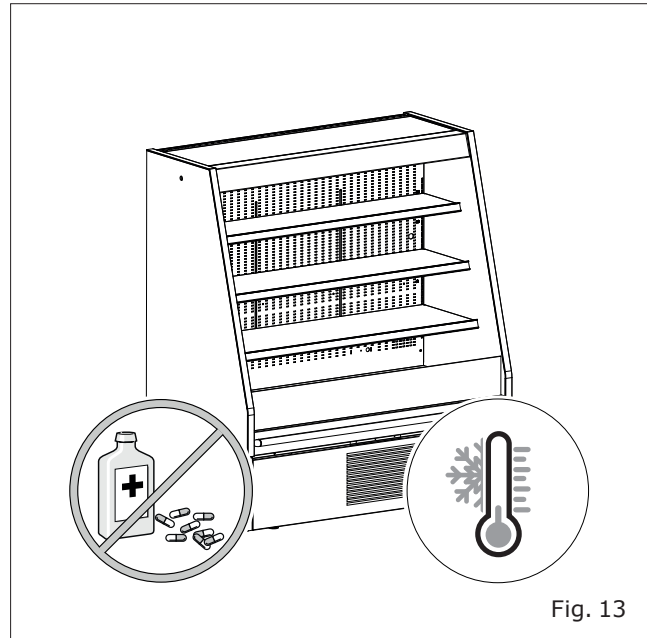
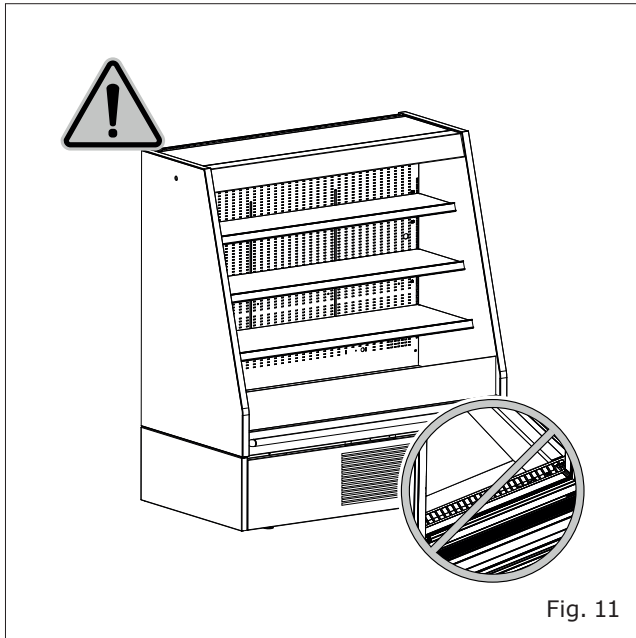
Application voltage and frequency: 115V/60Hz 1Ph


Chart III

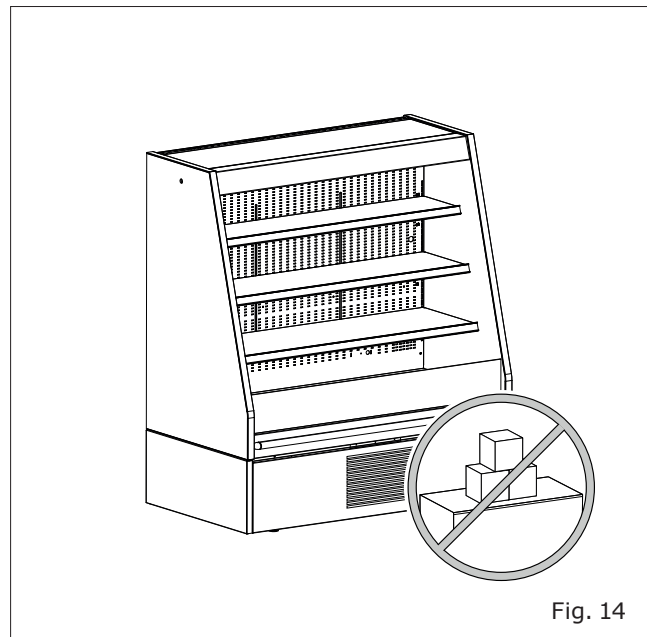
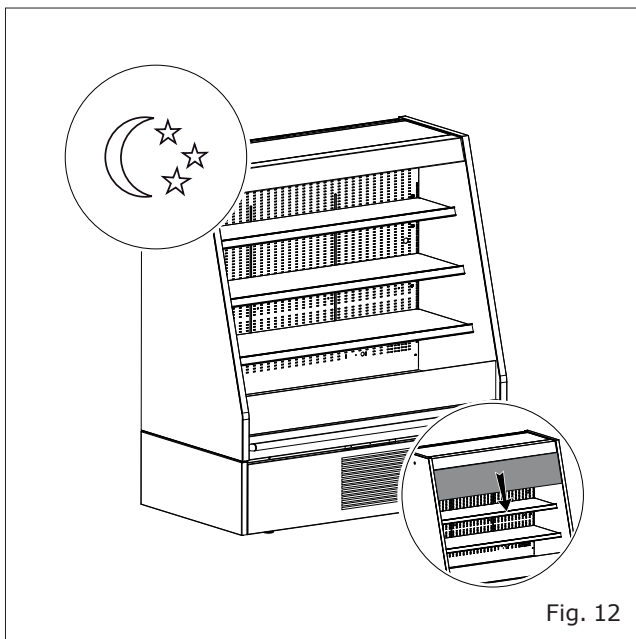
Quantity of R290 refrigerant		
Model	Circuit A (g)	Circuit A (oz)
937	120	4233
1250	140	4938

Model	OPERA KW, PEPPER	
Manufacturer	Epta Spa - Via Mecenate, 86 - 20138 Milano (MI) ITALIA Tel. 800-866-5596	12/23

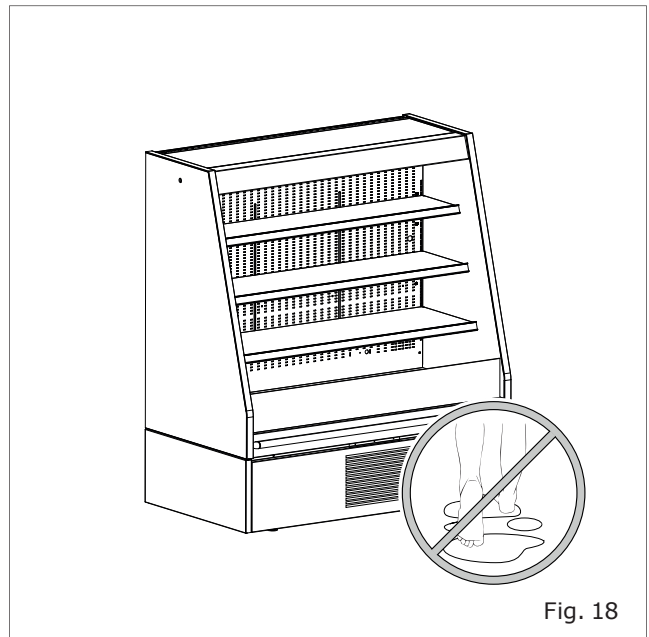
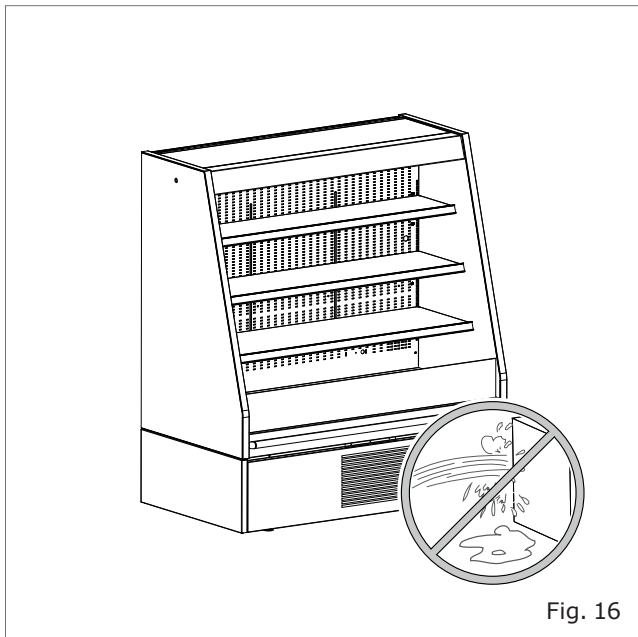
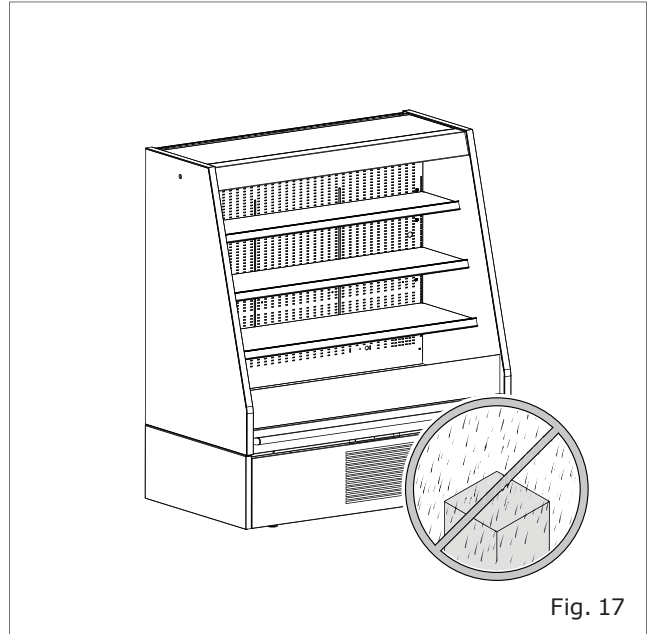
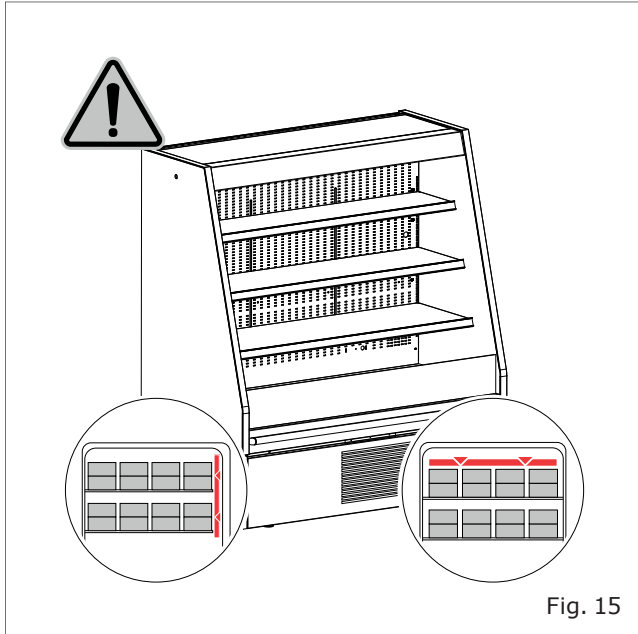
7. USE OF CABINET



 Do not cover

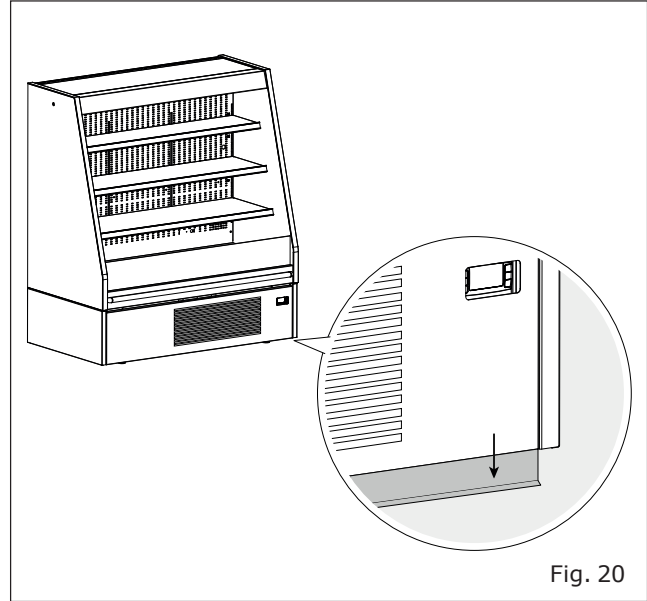
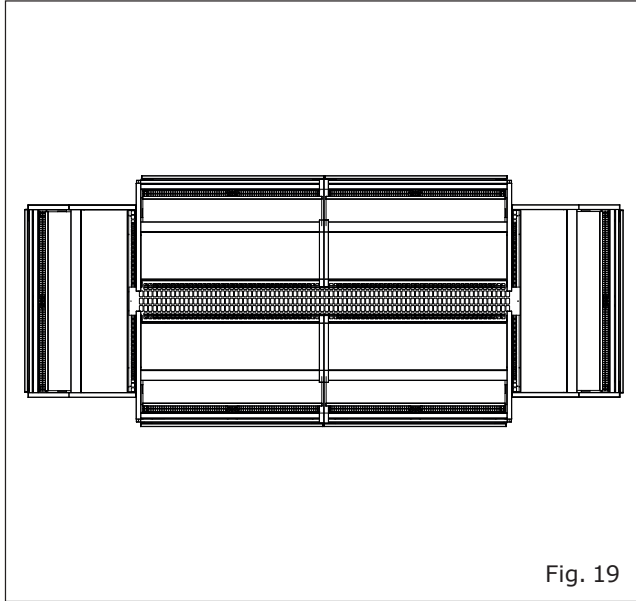


Model	OPERA KW, PEPPER	
Manufacturer	Epta Spa - Via Mecenate, 86 - 20138 Milano (MI) ITALIA Tel. 800-866-5596	13/23



Model	OPERA KW, PEPPER	
Manufacturer	Epta Spa - Via Mecenate, 86 - 20138 Milano (MI) ITALIA Tel. 800-866-5596	14/23

User manual

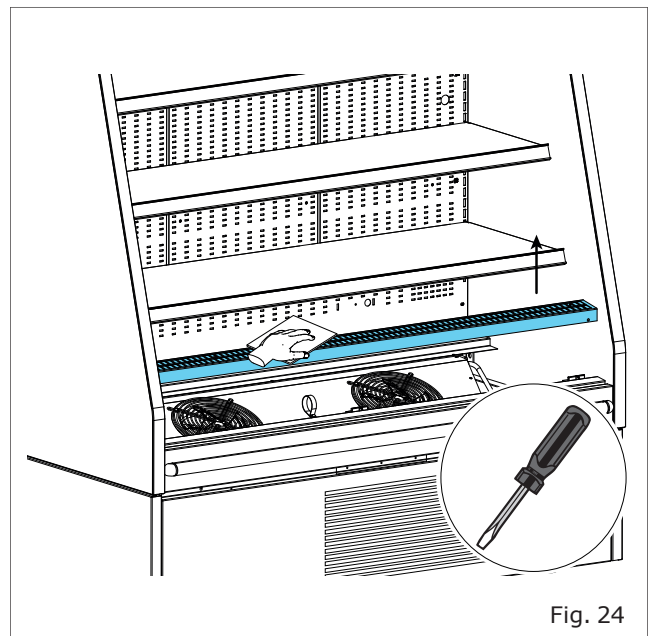
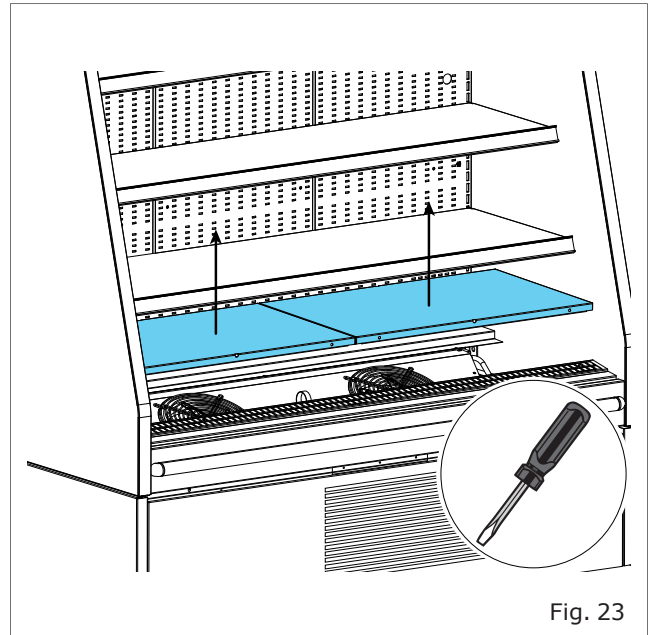
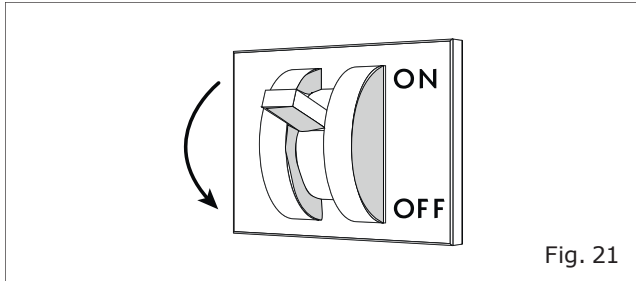


Unclip the rubber parts to hermetically seal the cabinet.

Model	OPERA KW, PEPPER	
Manufacturer	Epta Spa - Via Mecenate, 86 - 20138 Milano (MI) ITALIA Tel. 800-866-5596	15/23

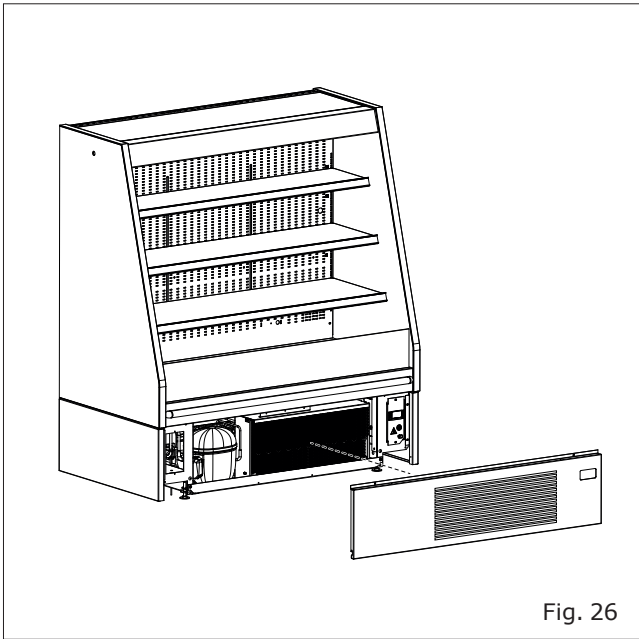
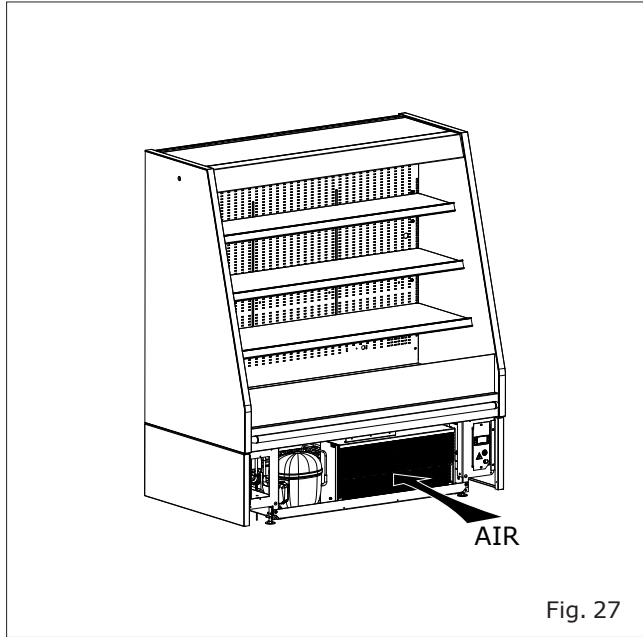
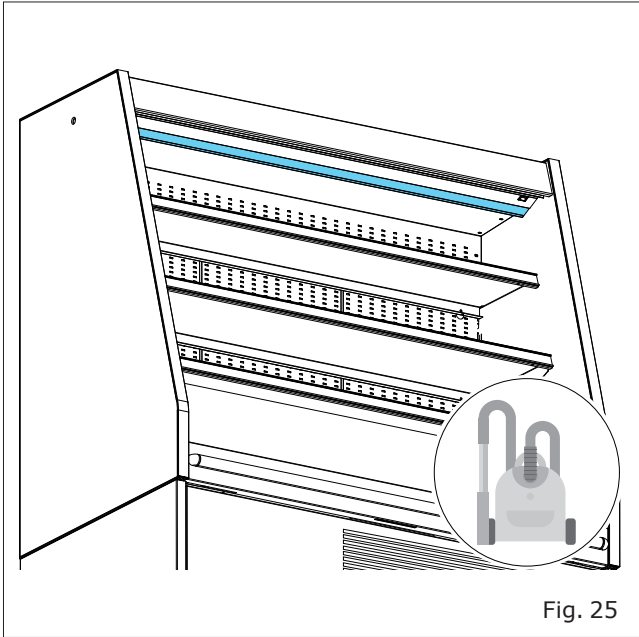
8. ORDINARY MAINTENANCE

8.1 Cleaning the cabinet



Model	OPERA KW, PEPPER	
Manufacturer	Epta Spa - Via Mecenate, 86 - 20138 Milano (MI) ITALIA Tel. 800-866-5596	16/23

User manual



Model	OPERA KW, PEPPER	
Manufacturer	Epta Spa - Via Mecenate, 86 - 20138 Milano (MI) ITALIA Tel. 800-866-5596	17/23

9. USER INDICATIONS

9.1 Description of the cabinet

This display case was designed and manufactured exclusively for the display of fresh packed food, drinks and dairies.

The cabinet are manufactured to meet ANSI/ASHRAE Standard 72 and National Sanitation Foundation (NSF*) Standard #7 (Type I - Display Refrigerator/ Freezer Intended for 75°F/55%RH Ambient Application) requirements.

The general characteristics and the dimensions are illustrated in the figures and in the sections contained in "General description" (to pg. "7").

During transport and handling, receipt and storage, installation, loading, use, cleaning and maintenance, dismantling, pay attention to the risk of overturning the cabinet ("Fig. 28").

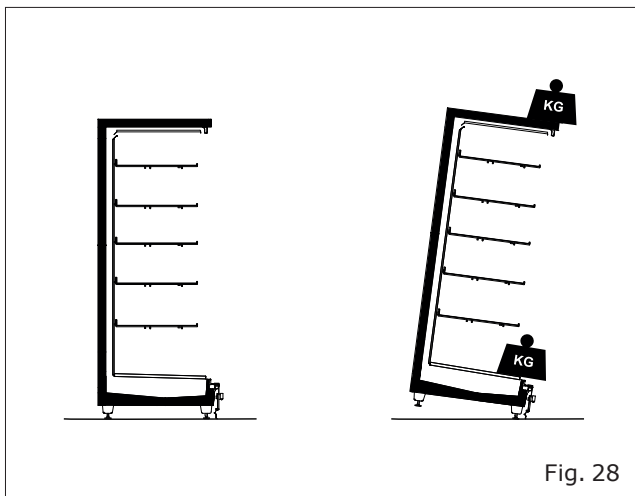


Fig. 28

9.2 Transport and handling

The cabinet is contained in a specific packaging equipped with a platform for handling with forklift trucks.

To transport and handle the cabinet use:

- Exclusively a dedicated or equivalent platform
- A manual or electric forklift suited to lifting the cabinet, with characteristics that comply with current Standards

The weights of the cabinet (empty and with packaging) and the dimensions of the packaging are shown in "Transportation of the cabinet" (chart "Chart I" and figures at pg."9").

The handling operations must be carried out by qualified staff able to assess weights, lifting points and most suitable means in terms of safety and capacity.

9.3 Receipt and storage

Check conditions of the packaging before accepting the cabinet from the carrier.

If there is obvious damage in the packaging:

- Remove the packaging of the cabinet in the presence of the carrier.
- Sign the delivery document with reservation

The manufacturer shall not be held responsible for any damage caused due to transport or incorrect storage of the cabinet.

The cabinet must be stored in a place sheltered from sun and weather, with a temperature of between -13°F (-25°C) and +131°F (+55°C) and a relative humidity of the air between 30% and 95%.

Model	OPERA KW, PEPPER	
Manufacturer	Epta Spa - Via Mecenate, 86 - 20138 Milano (MI) ITALIA Tel. 800-866-5596	18/23

9.4 Installation and ambient conditions

The cabinet is not designed to be installed outdoors.

For a correct operation of the cabinet, ensure that it is positioned:

- On a levelled floor ("Fig. 7").
- Far from heat sources, from the direct radiation of the sun, from doors, windows, fans and air vents ("Fig. 8").

Provide the space necessary for the use of the cabinet by the client.

The ambient conditions in which the cabinet should be placed are set out in "Ambient conditions".

9.5 Electrical connection

An omnipolar disconnecter switch must be installed upstream of the cabinet. This must have:

- Minimum distance of the contacts of 0.12in (3mm)
- Adequate breaking power

The disconnecter switch must be placed in a position that makes it easy to operate in emergency situations (maximum distance of 9.84ft (3m)).

Before connecting the cabinet, ensure that the supply voltage corresponds to the rating plate data of the cabinet. To guarantee smooth operation, the maximum voltage variation must be between +/- 6% of the nominal value.

9.6 Technical features

The identification plate shows the characteristic technical data of the cabinet. Its position and the type of data are shown in "Technical features" ("Fig. 10").

Wiring diagrams, control instrument calibration lists, installation instructions and copy of the Declaration of Conformity are available on the website <https://documents.eptarefrigeration.com>.

The sound pressure level generated by the operation of the cabinet is lower than 70 dB(A). The cabinet does not cause harmful vibrations.

9.7 Loading the product

Turn on the cabinet to start its cooling cycle, by using the general disconnecter switch mounted on the wall. After about 2 hours it is possible to load the cabinet.

The cabinet is suitable to maintain the temperature of the goods and not lower it; the foods, therefore, must be introduced inside it only if already cooled to the respective temperatures of preservation. Products which have been heated must never be introduced into the cabinet.

In the presence of glass fronts on the cabinet, it is recommended to load the goods when there is no customer in the sales area.

In loading the goods, ensure that:

- The load is similar in terms of dimension and quality of the products
- The goods do not obstruct the correct flow of refrigerated air ("Fig. 11")
- The goods do not exceed the load line

Uniformly distributed maximum permissible load:

- On the bottom level: 46.083lbm/ft² (225kg/m²)
- On the shelves: 28.674lbm/ft² (140kg/m²)

Model	OPERA KW, PEPPER	
Manufacturer	Epta Spa - Via Mecenate, 86 - 20138 Milano (MI) ITALIA Tel. 800-866-5596	19/23

9.8 Use of cabinet

Lighting

The cabinet lighting is controlled by a switch on the top right of the cabinet.

Thermostat/thermometer

A remote thermostat/thermometer is positioned on the bottom right of the cabinet to control the temperature ("Fig. 2").

The remote thermostat displays the existing temperature inside the housing and the temperature is controlled using the dedicated buttons.



Using night covers or night curtains, if any are installed, during closing hours. ("Fig. 12").

9.9 Cleaning and ordinary maintenance

Good visibility in the area to be serviced is recommended, possibly using an additional light source.

Cleaning the cabinet

Only use water at a maximum temperature of 149°F (65°C) and household soap or neutral detergent diluted in water.

For glass surfaces use only products for cleaning glass. It is recommended to avoid the use of water since it may deposit limestone on the surface of the glass.

Never use:

- Abrasive sponges
- Flammable or abrasive products such as alcohol, acetone or solvents
- Detergents that contain non-ionic surfactants, lemon or vinegar (acetic acid)



Do not wash or clean the top part of the cabinet with water or liquids.

Clean all the external parts of the cabinet **ONCE A WEEK**.

Clean all the internal parts of the cabinet **ONCE A MONTH**, following the instructions below:

- Disconnect the power supply to the cabinet using the wall-mounted main switch-disconnector ("Fig. 21").
- Empty the cabinet, storing the goods in cold rooms or refrigerators to maintain the preservation temperature.
- Wait for the inside of the cabinet to have reached the ambient temperature and then clean
- Lift the bottom shelves using the screwdriver ("Fig. 23").
- Remove the vent with the screwdriver and clean it with a cloth ("Fig. 24").
- Clean the honeycomb using a vacuum cleaner ("Fig. 25").
- After carefully checking that the inside of the cabinet is completely dry, restart the appliance by re-energising the cabinet.
- After a couple of hours, load the goods again.

When you put the cabinet out of service, disconnect the power and follow the passages above, leaving the doors open (if available) to avoid odors.

Defrost the cabinet **EVERY THREE MONTHS** to allow the ice to melt which may have formed on the fins of the evaporator preventing correct operation. The duration of the defrosting activity is regulated directly in the factory. Any adjustments are reserved exclusively for the technical service department. The defrosting water is collected by a special drain and conveyed to a dissipation bowl placed at the bottom of the cabinet. Periodically check that the defrosting water drains normally. If not, intervene immediately using a non-pointed flexible probe.

Model	OPERA KW, PEPPER	
Manufacturer	Epta Spa - Via Mecenate, 86 - 20138 Milano (MI) ITALIA Tel. 800-866-5596	20/23

User manual

Do as indicated to clean the internal parts **MONTHLY**, but in this case foresee a longer waiting time to allow the ice to melt completely.

The condenser is a self-cleaning model that does not require routine maintenance. However, for safety reasons, **EVERY TWO YEARS** must be cleaned by blowing air through a compressed air pump to remove any residue or accumulated dust ("Fig. 27").

To access the condenser, it is necessary to first disconnect the electric voltage from the cabinet and then, remove the front cover ("Fig. 26").

A dirty condensing unit cools less, causing waste of energy and poor performance. Wear cut resistant gloves when cleaning the condensing unit.

9.10 Emergency situations

The cabinet does not start or it stops:

- Check there is no electrical blackout.
- Check that the main power switch on the wall is on.
- Check the cabinet plug is inserted into the socket.

If the power outage does not depend on these reasons, contact the nearest authorised service center and empty completely and immediately store the product in cold rooms or refrigerators that can maintain the preservation temperature.

The cabinet does not cool sufficiently:

- Check that the condensing unit is clean and able to carry out its heat exchange function; clean thoroughly, if the fins are obstructed.
- Check that the cabinet is loading correctly.
- Defrost the cabinet and then resume normal operation, if this operation has not been carried out for more than three months.
- Check that the cabinet is not close to heat sources or air currents.
- Verify the ambient conditions; the reference values are contained in "Ambient conditions" ("Chart II").
- Check the flatness of the cabinet using a leveller.

If cooling failure persists, contact your nearest authorised service centre.

Model	OPERA KW, PEPPER	
Manufacturer	Epta Spa - Via Mecenate, 86 - 20138 Milano (MI) ITALIA Tel. 800-866-5596	21/23

The cabinet is noisy:

- Check screws and bolts are properly tightened.
- Check the flatness of the cabinet using a leveller.

If the noise persists, contact your nearest authorised service center.

9.11 Technical assistance

Where technical assistance personnel are required, contact immediately the supplier from whom the cabinet was purchased.

If you need to use spare parts always refer to the technical assistance service: ask and ensure that original spare parts are used.

If the inconvenience persists, contact your nearest authorised service centre.

Where technical assistance personnel are required, contact immediately the supplier from whom the cabinet was purchased.

If you need to use spare parts always refer to the technical assistance service: ask and ensure that original spare parts are used.

9.12 Dismantling and elimination

For the sake of the environment, please sort the parts and materials of the display case in accordance with the waste disposal provisions in force in your country, state or city, so that they can be properly disposed of or recycled. All parts cannot be treated as household waste, except for the metal parts.

THE PARTS OF THE REFRIGERATING CIRCUIT MUST NOT BE SEVERED OR SEPARATED BUT BE DELIVERED INTACT TO A CENTER SPECIALIZING IN RECYCLING REFRIGERANT GAS.

The components of the refrigeration circuit must not be cut and/or separated before the circuit is discharged, with the recovery of refrigerant gas by qualified personnel.

Model	OPERA KW, PEPPER	
Manufacturer	Epta Spa - Via Mecenate, 86 - 20138 Milano (MI) ITALIA Tel. 800-866-5596	22/23

10. SUPPLEMENTARY GENERAL WARNINGS

Instructions for correct installation and maintenance

The user and maintenance instructions are found in the User Manual available on the website:

www.eptarefrigeration.com.

The installation instructions dedicated to expert staff are available:

- From the service network
- In some categories of product in paper format delivered together with the product

Professional repair services

The services are provided by our service network which can be consulted in the contacts area at the website address www.kysorwarren.com.

Spare parts

Should it be necessary to contact technical assistance, contact Kysor Warren immediately:

- Phone number: 1-800-866- 5596
- Email: KWParts@kysorwarren.com

If spare parts are needed, always refer to your after-sales service. Insist on the use of original spare parts.

Cleaning air condenser

The plug in cabinets maintain their efficiency only if the condenser is cleaned using the methods and times indicated in the user and maintenance manual.

Important information on food waste

It is recommended to follow closely the instructions of preservation shown in the packages of the products and the indications provided by the food producers.

Therefore, the temperature settings must be suited to the characteristics of preservation of the food products consistently in accordance with the indications set out in our technical documentation.

Incorrect uses can result in deterioration.

Ambient conditions

This appliance is intended to function in environments in which the temperature and humidity fall within the limits provided for in the User and maintenance manual.

Instructions for disassembly

For disassembly activities, it is necessary to contact the professional operators.

Epta group has always been driven by a particular attention to the environment. It makes available to users the manuals for dismantling and treating the waste of the plug-in refrigerated cabinets, which can be downloaded below.

- Manual for dismantling open plug-in cabinets:



- Manual for dismantling closed plug-in cabinets:



Model	OPERA KW, PEPPER	
Manufacturer	Epta Spa - Via Mecenate, 86 - 20138 Milano (MI) ITALIA Tel. 800-866-5596	23/23

Limits of application



This cabinet is designed for the use, transport and storage of up to a maximum altitude of 6561ft (2000m) above sea level.

Storage:

- Temperature between 59°F (15°C) and 122°F (50°C)
- Relative humidity between 20% and 90%
- Maximum time 6 months

Transport:

- Temperature between 68°F (20°C) and 158°F (70°C)
- Relative humidity between 20% e 90%
- Maximum time 2 months

Installation:

- Temperature between 32°F (0°C) and 104°F (40°C)
- Relative humidity between 20% and 90%
- Maximum time 2 months

Use:

The performance of the cabinet is not guaranteed outside of its normal use. Its integrity and safety is guaranteed within the following limits for temporary conditions.

Environment outside of the cabinet:

- From class 1 (60.8°F (16°C) / 80%rh) to class 4 (86°F (30°C) / 55%rh) or class 6 (80.6°F (27°C) / 70%rh)

The performance of the cabinet is not guaranteed outside of its normal use. Its integrity and safety is guaranteed within the following limits.

Environment inside the cabinet (conditions for electrical safety):

Positive temperature cabinet

- Temperature between 14°F (-10°C) and 50°F (+10°C)
- Relative humidity between 70% and 100%
- Maximum time 10 years



During operation, the heating elements could locally record temperatures higher than the aforementioned limits, however always in full respect of the safety conditions.

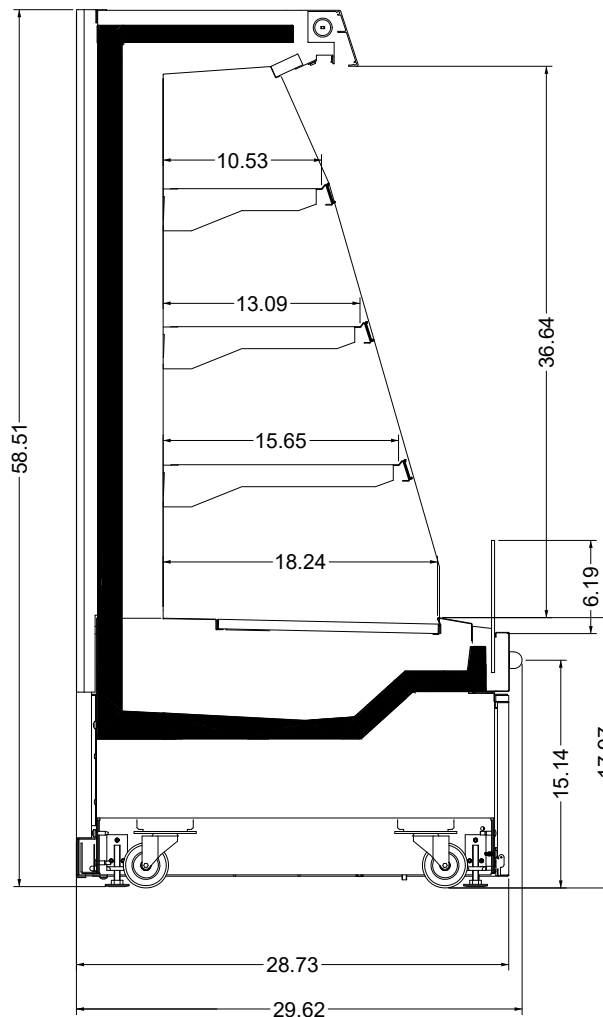
***SECTION 3:
DATASHEET***

OPERA KW, PEPPER

Module	3.07	4.10	Unit
--------	------	------	------

Dimension and weights			
Lenghts	36.89	49.21	in
Endwall	1.26		
Minimum distance between cabinet and wall	3.94		
Pitch	0.98		
Shelves	Depth	10.53-13.09-15.65	
	Rows	3	
Total Display Area (TDA)	9.48	12.65	ft ²
Volume	10.06	13.42	ft ³
Weight	462.97	529.11	lb
Weight Packaged	529.11	595.25	

Cross Section



TECHNICAL DATA SHEET

Module	3.07	4.10	Unit
---------------	------	------	-------------

Refrigeration data					
Climate Class 3	Propane	60Hz	110/3.88	130/4.94	grams/ oz
	Compressor	60Hz	1	1	HP
	Energy consumption	3M1	16.11	19.85	kWh/ 24h
	Heat Flux to ambient	3M1	2291	2823	BTU/h

Electrical Absorptions			
Power Supply (Volts/Hertz/Phase)	115V/60HZ/1PH	115V/60HZ/1PH	
Minimum Circuit Ampacity	15.12		A
Maximum Overcurrent Protection	20		
Rated Amps	12.19		



www.kysorwarren.com



www.eptarefrigeration.com