

ISSUE DATE: SEPTEMBER 2019

PX3XN - STRATUS

MULTI-DECK SPECIFICATION SHEET



KYSOR WARREN
epta refrigeration

General Case Data	Case Length (ft)			
	4'	6'	8'	12'
Total Display Area (ft ²)	15.32	22.95	30.61	45.90
Cubic Capacity (ft ³)	24.48	51.63	68.87	103.27
Max Shelf Depth (in) [Top/Bottom]	22/24	22/24	22/24	22/24
Weight (lb)	-	-	-	-
Thermal Load (General)				
Discharge Air Velocity (fpm)	200	200	200	200
Fan Speed (rpm)	1300	1300	1300	1300
Discharge Air Temp (°F)	31	31	31	31
Conventional Thermal Load, Single (Btuh) one row of canopy LED	5690	8535	11380	17070
Conventional Thermal Load, Single (Btuh) one row of canopy T8	5714	8571	11428	17142
Parallel Thermal Load, Single (Btuh) one row of canopy LED	5267	7901	10534	15801
Parallel Thermal Load, Single (Btuh) one row of canopy T8	5291	8571	10582	15873
Additional Btuh per ft LED - Canopy / Shelf & Nose	13 / 11	13 / 11	13 / 11	13 / 11
Additional Btuh per ft T8	19	19	19	19
Thermal Load (HFC)				
Evaporator Temperature (°F)	26	26	26	26
Superheat Setpoint (°F)	6 - 8	6 - 8	6 - 8	6 - 8
Estimated Refrigerant Charge (lbs)	1.241	1.845	2.579	3.925
Thermal Load (Glycol)				
Supply Temperature (°F)	20	20	20	20
Flow (GPM)	2.548	3.822	5.096	7.644
Fluid %	35	35	35	35
Pressure Drop (PSID)	4	8.9	4	8.9
Electrical Data (Amps/Watts)				
115V/60Hz, 1 Phase				
Fans	0.15	0.30	0.30	0.45
Canopy Lights (Per row)				
GE LED	0.22	0.33	0.44	0.67
Shelf Lights (Per row)				
GE LED	0.08	0.10	0.15	0.23

Defrost Data (off Cycle)			
Defrosts per Day	Failsafe Duration (min) ¹	Termination Temp (°F)	Drip Time (min)
6	18	47	2

APPLICATIONS

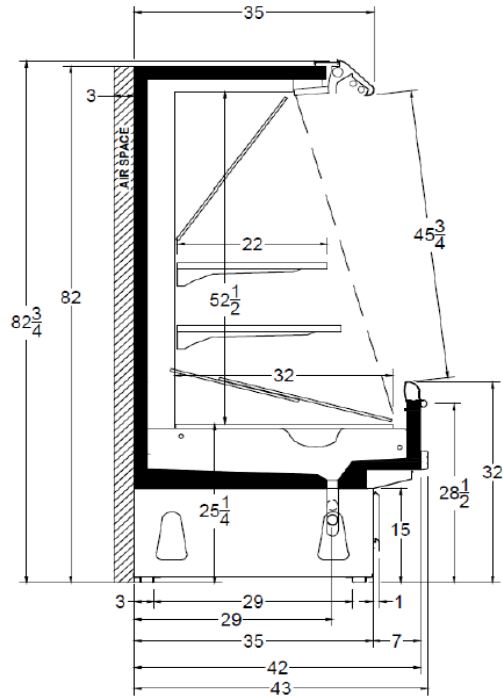


The above case model has case lengths that are UL and NSF approved.

PX3XN - STRATUS

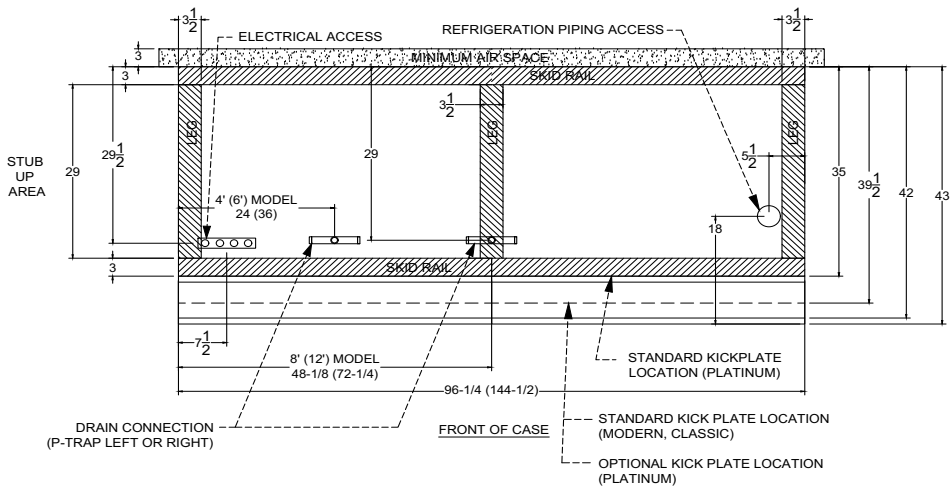
MULTI-DECK SPECIFICATION SHEET

PX3XN CROSS VIEW



Add 3" thickness for a pair of ends.

PX3XN PLAN VIEW



5201 Transport Blvd
Columbus, GA 31907
P: 800.866.5596 • F: 706.568.8990



www.kysorwarren.com



KYSOR WARREN
epta refrigeration

