

ISSUE DATE: SEPTEMBER 2018

QWM1GD - LEGACY

MULTI-DECK SPECIFICATION SHEET



KYSOR WARREN
eptarefrigeration

General Case Data	Case Length (ft)		
	6'	8'	12'
Total Display Area (ft ²)	20.57	27.44	41.14
Cubic Capacity (ft ³)	23.32	31.11	46.65
Max Shelf Depth (in) [Top/Bottom]	NA	NA	NA
Weight (lb)	-	-	-
Refrigeration Data (General)			
Discharge Air Velocity (fpm)	250	250	250
Fan Speed (rpm)	1800	1800	1800
Discharge Air Temp (°F)	23	23	23
Conventional Thermal Load, Single (Btuh) unlighted	2550	3400	5100
Parallel Thermal Load, Single (Btuh) unlighted	2412	3216	4824
Refrigeration Data (HFC)			
Evaporator Temperature (°F)	20	20	20
Superheat Setpoint (°F)	6 - 8	6 - 8	6 - 8
Estimated Refrigerant Charge (lbs)	3.740	5.146	7.993
Refrigeration Data (Glycol)			
Supply Temperature (°F)	20	20	20
Flow (GPM)	QTE	QTE	QTE
Fluid %	35	35	35
Pressure Drop (PSID)	QTE	QTE	QTE

Defrost Data (off Cycle)			
Defrosts per Day	Failsafe Duration (min) ¹	Termination Temp (°F)	Drip Time (min)
3	60	55	0

¹ At ASHRAE conditions. For conditions above 75°F, 55% RH, increase defrost time by 15 min. Type I refrigerator, intended for use in an area where the environmental conditions are controlled and maintained that conditions do not exceed 75°F and 55% relative humidity. Kysor Warren, whose policy is one of continuous improvement, reserves the right to change at any time specifications, designs, or prices without incurring obligation. DOE 2017 Compliant

APPLICATIONS

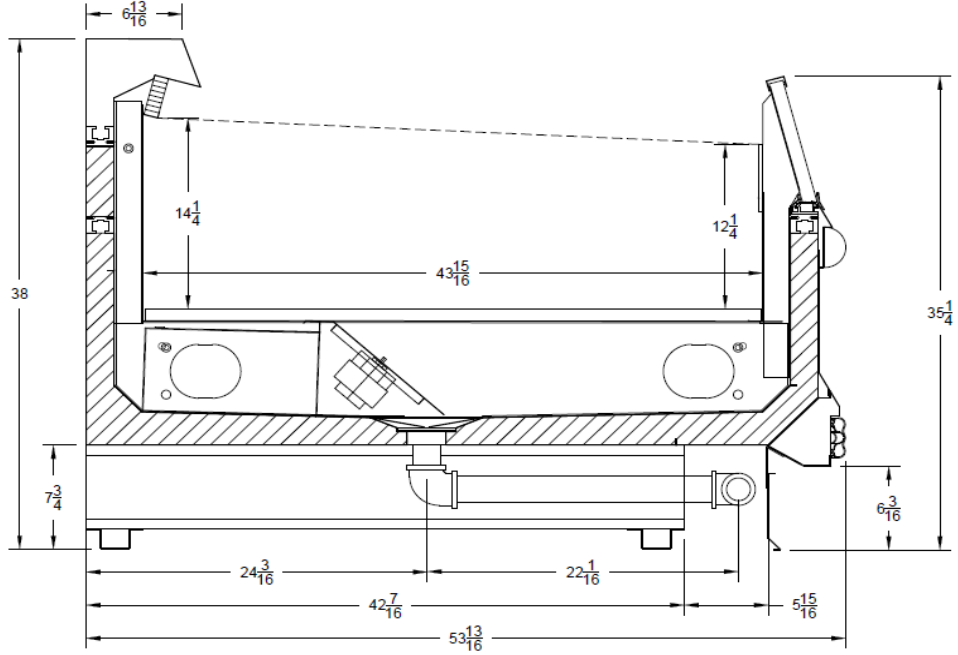


The above case model has case lengths that are UL and NSF approved.

QWM1GD - LEGACY

MULTI-DECK SPECIFICATION SHEET

QWM1GD CROSS VIEW



Add 3" thickness for a pair of ends.

QWM1GD PLAN VIEW

