




QWM1GDC-SC

SINGLE DECK MERCHANDISER



		Case Length (ft)	APPLICATIONS
General Case Data		8'	    
Total Display Area (ft ²)		27.44	
Cubic Capacity (ft ³)		31.11	
Max Shelf Depth (in) [Top/Bottom]		NA	
Weight (lb)		-	
Refrigeration Load (General)			
Evaporator Temperature (°F)		12	
Discharge Air Temp (°F)		20	
Discharge Air Velocity (fpm)		300-375	
Fan Speed (rpm)		1800	
Refrigerant Type		R-513A	
Refrigerant Charge (lbs)		4.50	
Conventional Thermal Load, Single (Btuh) unlighted		3400	
Superheat Setpoint (°F)		6-8	
Electrical Data (Amps/Watts)			
Power Supply (Volts/Hertz/Phase)		208V/60HZ/1PH	
Evaporator Fan Motor Amps (115 V)		0.63	
Anti-sweat Heater Amps (115 V)		0.24	
Lights Amps (115V)		N/A	
Defrost Heater Amps		7.18	
Condensate Pump Amps (115 V)		N/A	
Condensate Pan Heater Amps		7.21	
Compressor RLA		8.00	
Compressor LRA		46.00	
Condenser Fan Motor Amps		0.54	
Refrigeration Cycle Amps		16.30	
Defrost Cycle Amps		14.94	
Minimum Circuit Ampacity		18.30	
Maximum Overcurrent Protection		25	

Defrost Data (off Cycle)			
Defrosts per Day	Failsafe Duration (min) ¹	Termination Temp (°F)	Drip Time (min)
3	60	47 (Coil)	0

¹ At ASHRAE conditions. For conditions above 75°F, 55% RH, increase defrost time by 15 min. Type I refrigerator, intended for use in an area where the environmental conditions are controlled and maintained that conditions do not exceed 75°F and 55% relative humidity. Heatcraft Worldwide Refrigeration, whose policy is one of continuous improvement, reserves the right to change at any time specifications, designs, or prices without incurring obligation. DOE 2017 Compliant

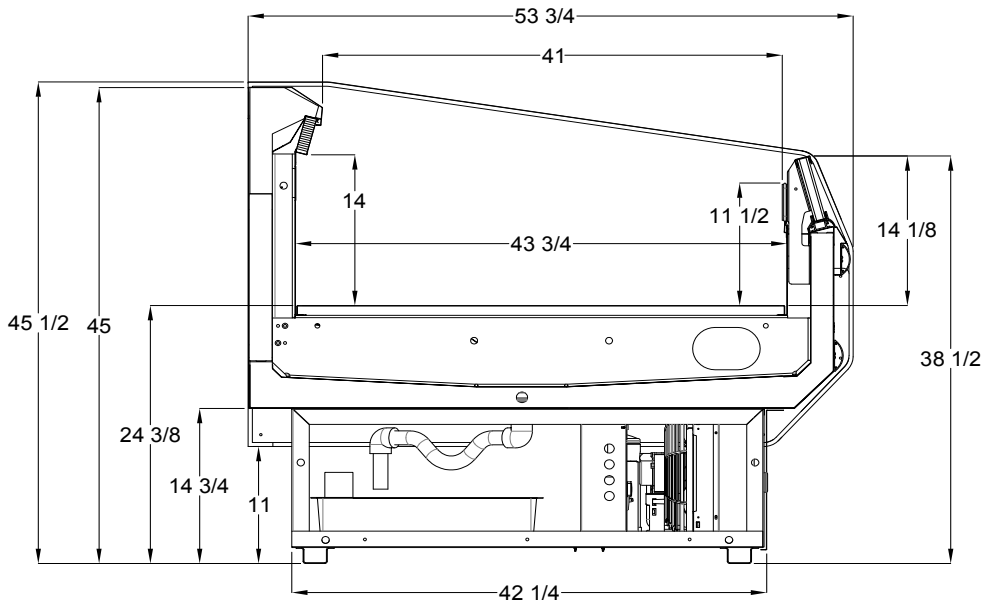


The above case model has case lengths that are UL and NSF approved.

QWM1GDC-SC

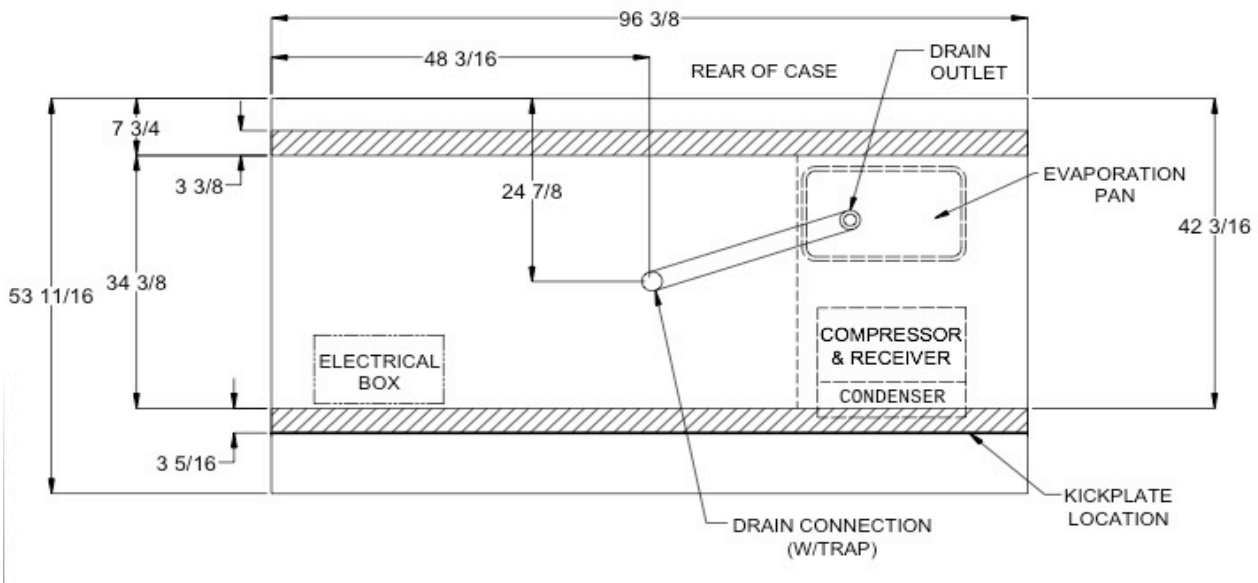
SINGLE DECK MERCHANDISER

QWM1GDC-SC CROSS VIEW



Add 3" thickness for a pair of ends.

QWM1GDC-SC PLAN VIEW



5201 Transport Blvd
Columbus, GA 31907
P: 800.866.5596 • F: 706.568.8990



www.kysorwarren.com



KYSOR WARREN