

QWSTGE - Legacy Island

ISLAND SPECIFICATION SHEET



KYSOR WARREN

General Case Data	Case Length (ft)		
	4' End	4' Side	8' Side
Total Display Area (ft ²)	21.88	11.61	23.22
Cubic Capacity (ft ³)	20.91	13.19	26.38
Max Shelf Depth (in) [Top/Bottom]	NA	NA	NA
Weight (lb)	-	-	-
Refrigeration Data (All data is per side)			
Evaporator Temperature (°F)			
Frozen Food	-15	-15	-15
Ice Cream	-20	-20	-20
Dairy	24	24	24
Discharge Air Temperature (°F)			
Frozen Food	-11	-11	-11
Ice Cream	-16	-16	-16
Dairy	30	30	30
Discharge Air Velocity (fpm)			
	175	175	175
Parallel Thermal Load (Btuh per side)			
Frozen Food	3214	1188	2377
Ice Cream	3554	1332	2664
Dairy	1901	803	1607
Conventional Thermal Load (Btuh per side)			
Frozen Food	3354	1240	2480
Ice Cream	3708	1390	2780
Dairy	2106	890	1780
Superheat Setpoint (°F)			
	6-8	6-8	6-8
Estimated Refrigerant Charge (lbs)			
	3.752	14.076	24.400
Electrical Data (Amps/Watts)			
ECM Fan Data (Amps/Qty)			
	0.42 / 2	0.21 / 1	0.42 / 2
Anti-Sweat Heater Amps (I.C./F.F./Med.Temp)			
	1.83	1.25	2.10
Drain Heater Amps			
Electric	0.52	0.52	0.65
Hot Gas	0.39	0.39	0.65
Defrost Heater Amps (Low/Dual Temp)			
	5.90	5.90	8.48

Defrost Data				
	Per Day	Fail Safe (min) ¹	Termination (°F)	Drip Time (min)
Electric	1	60	47	0
Hot Gas	1	20	47	0
Off Cycle	4	35	47	0

¹ At ASHRAE conditions. For conditions above 75°F, 55% RH, increase defrost time by 15 min. Type I refrigerator, intended for use in an area where the environmental conditions are controlled and maintained that conditions do not exceed 75°F and 55% relative humidity. Heatcraft Worldwide Refrigeration, whose policy is one of continuous improvement, reserves the right to change at any time specifications, designs, or prices without incurring obligation. DOE 2017 Compliant

APPLICATIONS

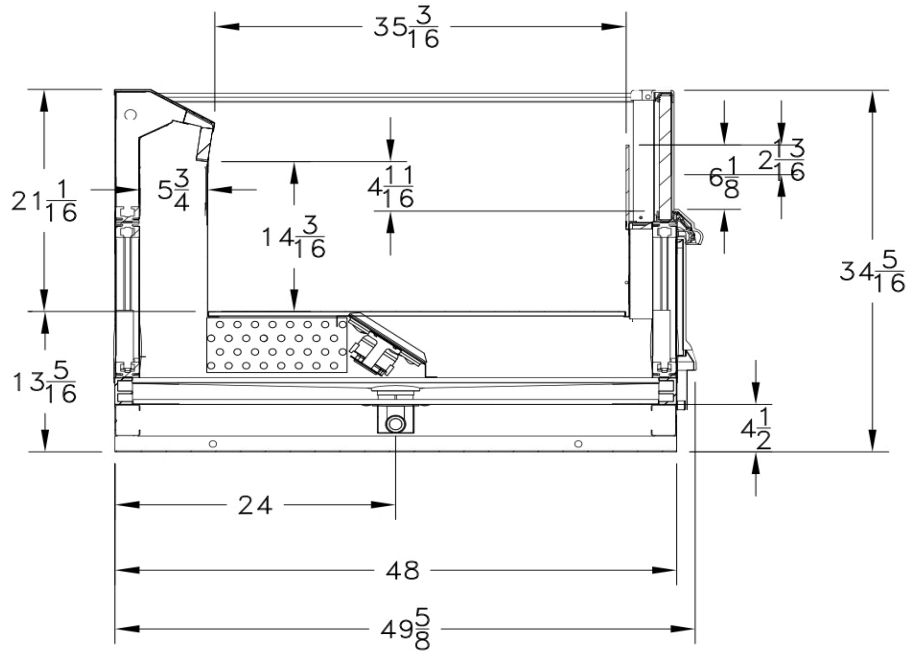


The above case model has case lengths that are UL and NSF approved.

QWSTGE - Legacy Island

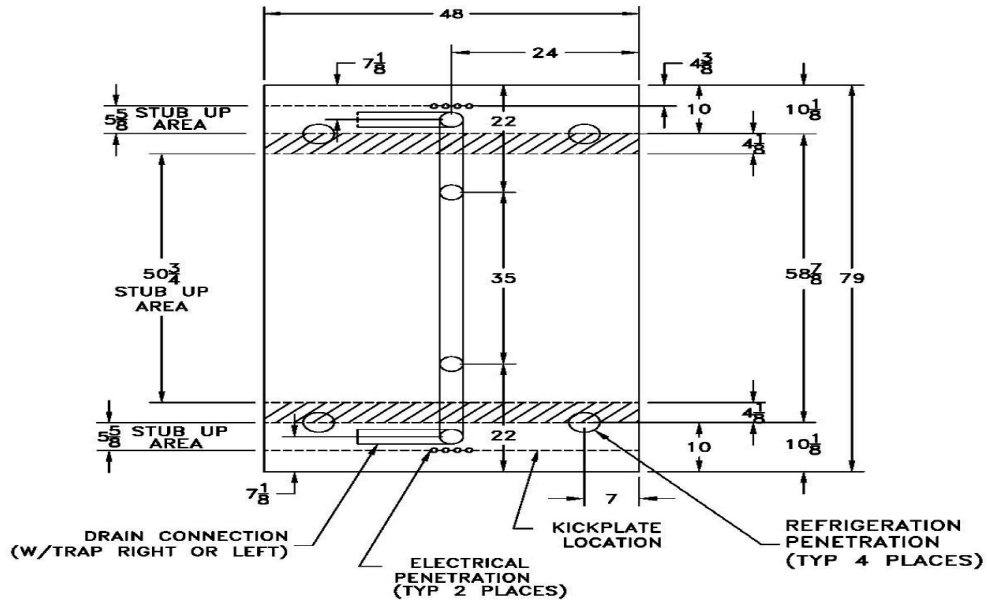
ISLAND SPECIFICATION SHEET

QWSTGE CROSS VIEW



Add 3" thickness for a pair of ends.

QWSTGE PLAN VIEW



5201 Transport Blvd
Columbus, GA 31907
P: 800.866.5596 • F: 706.568.8990



www.kysorwarren.com

