



KYSOR WARREN
eptarefrigeration



GRANBERING KW

LOW TEMPERATURE REACH-IN MERCHANDISER

ICE CREAM HIGH VISIBILITY MERCHANDISING CAPABILITY

FULL GLASS doors with LED lights fully integrated into the mullion provides excellent light distribution and puts the attention on the product

EASY OPERATION AND MAINTENANCE

All electrical connections and components are top mounted for easier access and troubleshooting; there are no electrical connections located in the raceway

QUIET AND GENTLE DOOR CLOSING SYSTEM

This system provides automatic door closure from a designated opening angle preventing uncontrolled opening of adjoining doors during the closure of the first one and door slamming

INTEGRATED CAMLOCK SYSTEM

The integrated camlock system makes joining cases and expanding line-ups an easy, simple, and quick procedure



GRANBERING KW

LOW TEMPERATURE REACH-IN MERCHANDISER

MAIN ADVANTAGES



Remote



Electric defrost



Ventilated



LED lighting



High Efficiency fans

GREAT FOR



Frozen food



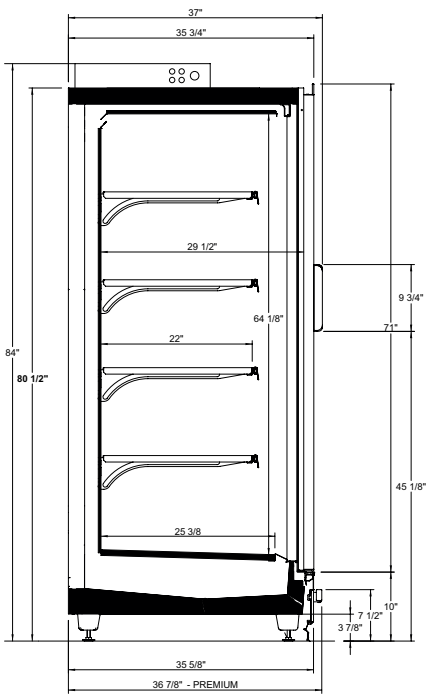
Ice cream

RANGE

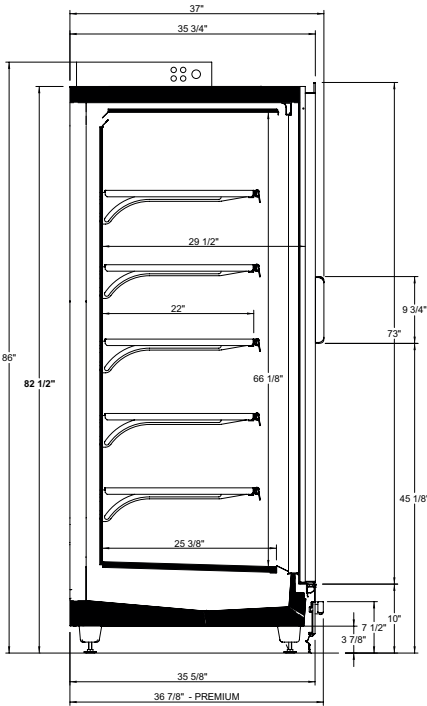
	RANGE Depth	RANGE Height	2 Doors	3 Doors	4 Doors	5 Doors
KWN5	Standard 35 5/8"	80 1/2"	•	•	•	•
KWN6	Standard 35 5/8"	82 1/2"	•	•	•	•
KWN7	Standard 35 5/8"	83 3/8"	•	•	•	•

PROFILE VIEWS END CASE

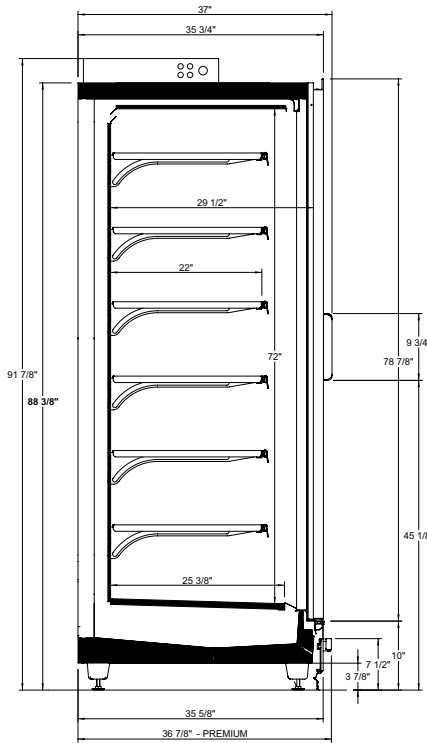
KWN5



KWN6



KWN7



BREADED CHICKEN

STUFFED CHICKEN

BAGGED MEALS

PLANT BASED PROTEIN



Organic **GRASSFED BEEF** **SANDWICH STEAKS & MEATBALLS** **BURGERS BEEF & TURKEY** **BUBBA**



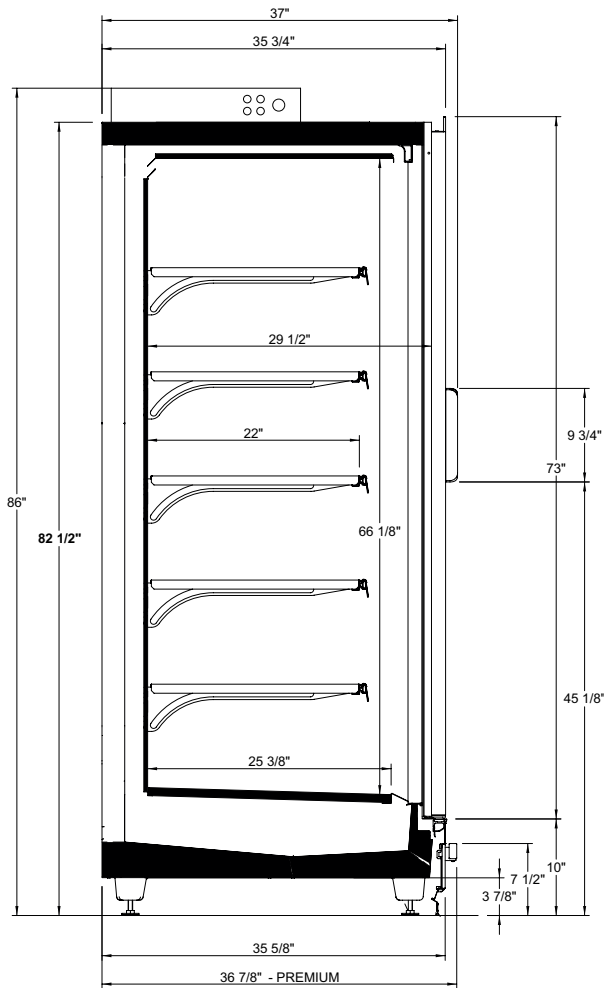
DUTCHWAY
Medicines/Vitamins
Shampoo
Tissues
Hygiene
Care



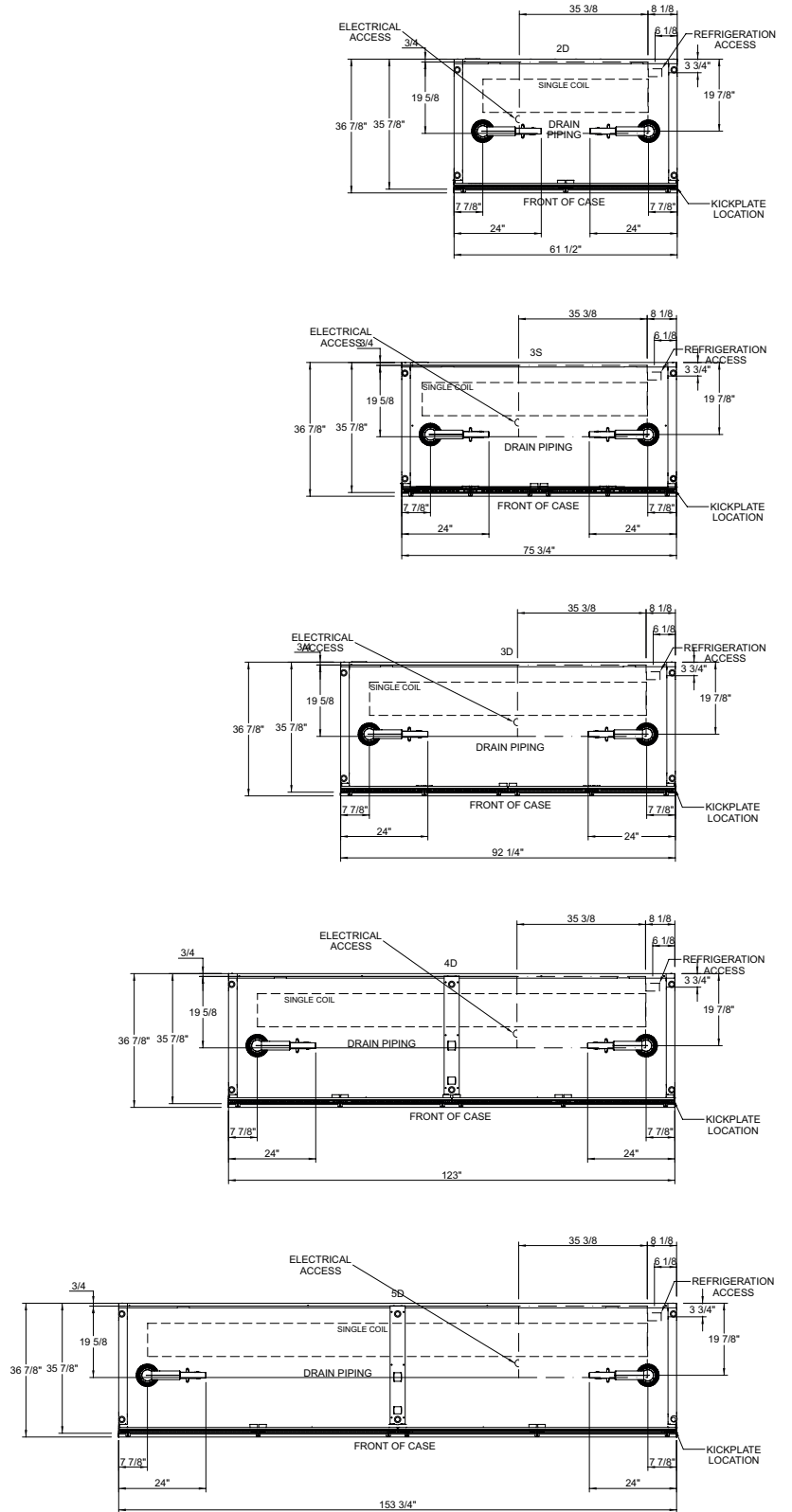


GRANBERING KWN6

PROFILE VIEW



SECTION VIEWS





Carvel
ICE CREAM
CAKES

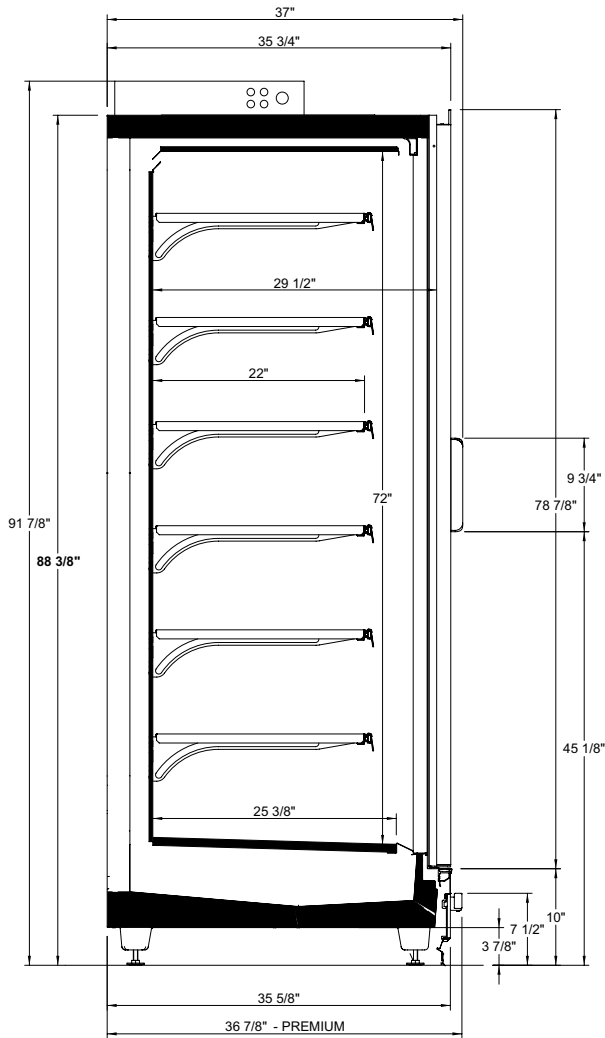
Pellman
DESSERTS

Frozen
CAKES
CUPS

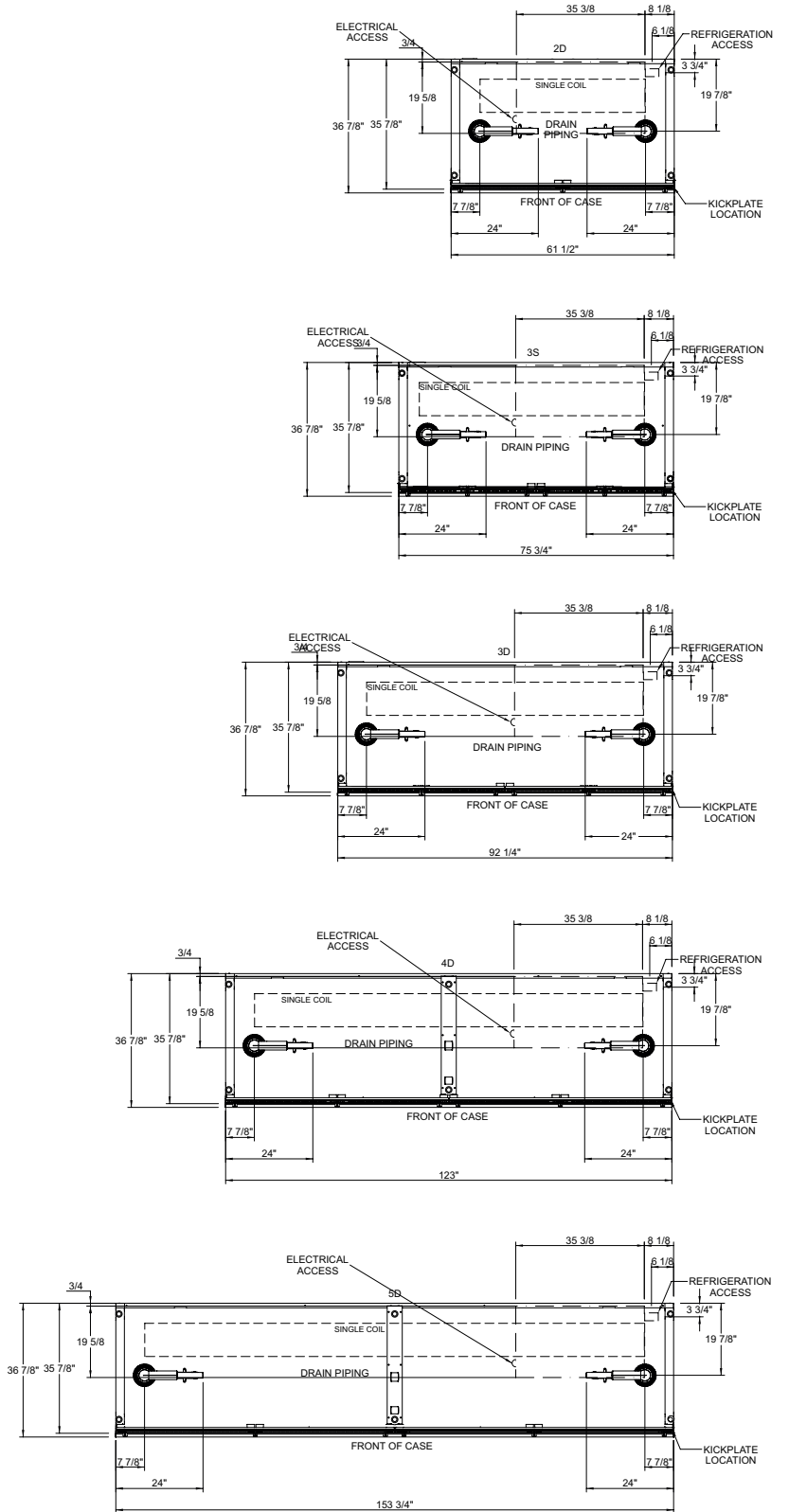


GRANBERING KWN7

PROFILE VIEW



SECTION VIEWS





www.kysorwarren.com

